

ZEBRA RH 0015-0021 B

Two-stage oil-lubricated rotary vane vacuum pumps



Reliable

Specially designed for a wide range of applications in the medium vacuum range, robust construction, proven rotary vane vacuum technology

High performance

Stable pumping speed even in low pressure range

Quiet

Perfectly suited for research labs and low-noise working environments, < 60 dB(A) at 50 Hz

Accessories

- Inlet filter
- Oil mist separator
- Gas-ballast valve

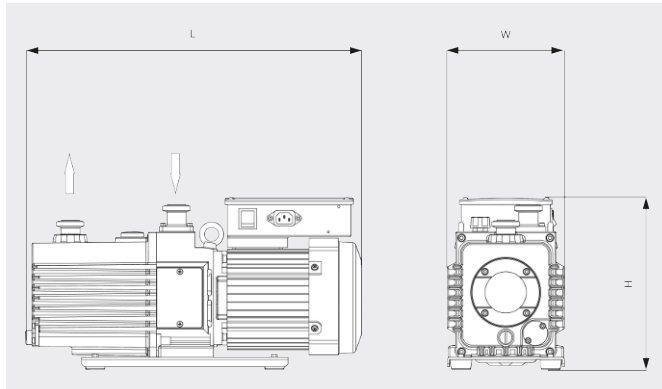
ZEBRA RH 0015-0021 B

Two-stage oil-lubricated rotary vane vacuum pumps



VACUUM SOLUTIONS

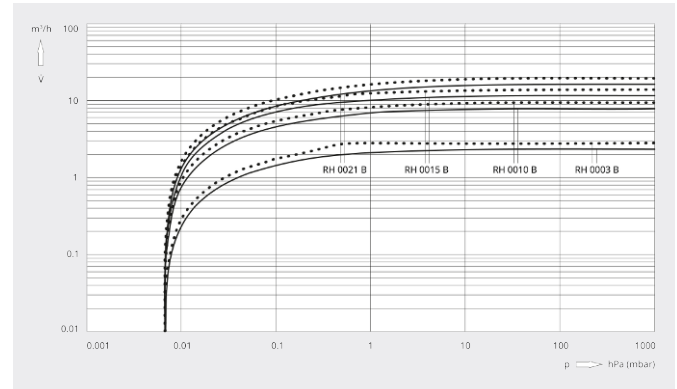
Dimensional drawing



Pumping speed

Air at 20°C. Tolerance: ± 10%

— 50 Hz 60 Hz



	ZEBRA RH 0015 B	ZEBRA RH 0015 B	ZEBRA RH 0021 B	ZEBRA RH 0021 B
Pumping speed	12.0 / 14.4 m ³ /h (50 / 60 Hz)	12.0 / 14.4 m ³ /h (50 / 60 Hz)	16.9 / 20.2 m ³ /h (50 / 60 Hz)	16.9 / 20.2 m ³ /h (50 / 60 Hz)
Pumping speed	200 / 240 l/min (50 / 60 Hz)	200 / 240 l/min (50 / 60 Hz)	280 / 336 l/min (50 / 60 Hz)	280 / 336 l/min (50 / 60 Hz)
Ultimate partial pressure (gas-ballast valve closed)	6.7 · 10 ⁻⁴ hPa (mbar)	6.7 · 10 ⁻⁴ hPa (mbar)	6.7 · 10 ⁻⁴ hPa (mbar)	6.7 · 10 ⁻⁴ hPa (mbar)
Ultimate total pressure (gas-ballast valve closed)	6.7 · 10 ⁻³ hPa (mbar)	6.7 · 10 ⁻³ hPa (mbar)	6.7 · 10 ⁻³ hPa (mbar)	6.7 · 10 ⁻³ hPa (mbar)
Ultimate total pressure (gas-ballast valve open)	6.7 · 10 ⁻² hPa (mbar)	6.7 · 10 ⁻² hPa (mbar)	6.7 · 10 ⁻² hPa (mbar)	6.7 · 10 ⁻² hPa (mbar)
Max. continuous inlet pressure	100 hPa (mbar)	100 hPa (mbar)	100 hPa (mbar)	100 hPa (mbar)
Max. back pressure (gauge)	300 hPa (mbar)	300 hPa (mbar)	300 hPa (mbar)	300 hPa (mbar)
Water vapor capacity (gas-ballast valve open)	40 g/h	40 g/h	73 g/h	73 g/h
Nominal motor rating	0.55 kW	0.55 kW	0.75 kW	0.7 kW
Operating voltage	100 - 120 / 200 - 240 V (50 / 60 Hz)	200 - 240 / 380 - 415 V (50 Hz) / 200 - 240 / 380 - 460 V (60 Hz)	115 / 200 - 240 V (50 / 60 Hz)	200 - 240 / 380 - 415 V (50 Hz) / 200 - 240 / 380 - 460 V (60 Hz)
Motor phase	Single-phase	Three-phase	Single-phase	Three-phase
Ambient temperature	7 - 40 °C	7 - 40 °C	7 - 40 °C	7 - 40 °C
Oil	VMA 055	VMA 055	VMA 055	VMA 055
Oil capacity	1.1 l	1.1 l	1.1 l	1.1 l

ZEBRA RH 0015-0021 B

Two-stage oil-lubricated rotary vane vacuum pumps



	ZEBRA RH 0015 B	ZEBRA RH 0015 B	ZEBRA RH 0021 B	ZEBRA RH 0021 B
Noise level (ISO 2151)	< 54 / < 56 dB(A) (50 / 60 Hz)	< 52 / < 55 dB(A) (50 / 60 Hz)	< 59 / < 61 dB(A) (50 / 60 Hz)	< 59 / < 63 dB(A) (50 / 60 Hz)
Weight approx.	31 kg	29 kg	42 kg	34.5 kg
Dimensions (L x W x H)	516 x 170 x 250 mm	514 x 170 x 240 mm	585 x 182 x 271 mm	536 x 181 x 269 mm
Gas inlet / outlet	ISO-KF 25 / ISO-KF 25	ISO-KF 25 / ISO-KF 25	ISO-KF 25 / ISO-KF 25	ISO-KF 25 / ISO-KF 25
Marking	cTUVus	cTUVus	cTUVus	cTUVus
Additional information	<ul style="list-style-type: none">• M/A switch• Prefilled with VMA 055 oil	<ul style="list-style-type: none">• Terminal box• Prefilled with VMA 055 oil	<ul style="list-style-type: none">• M/A switch• Prefilled with VMA 055 oil	<ul style="list-style-type: none">• Terminal box• Prefilled with VMA 055 oil

DO YOU WANT TO KNOW MORE?

Get in touch with us directly!
sales@busch.ie or +353 (0)1 832 13 30



CONTACT FORM



CALL NOW