

# DOLPHIN VL 0100-0270 A

## Partial Recirculation

Liquid ring vacuum pump units



VACUUM SOLUTIONS



### Robust

Proven technology, reliable operation, corrosion-free stainless steel impeller, extremely high vapor and particle tolerance, part of the operating fluid is recirculated, fresh liquid introduced in sufficient quantity to maintain proper temperature

### All-in-One

Unit with base frame, operating fluid separator, control system, including inlet check valve, fresh liquid supply kit, level indicator with switches, temperature and pressure indicators and cavitation protection

### Flexible

Choice of cast iron (EN-GJL-200) or 316 grade stainless steel material housings, ATEX-certified version available (Cat. 1 (i/o) IIC, T4), operating fluids other than water possible

# DOLPHIN VL 0100-0270 A Partial Recirculation

Liquid ring vacuum pump units

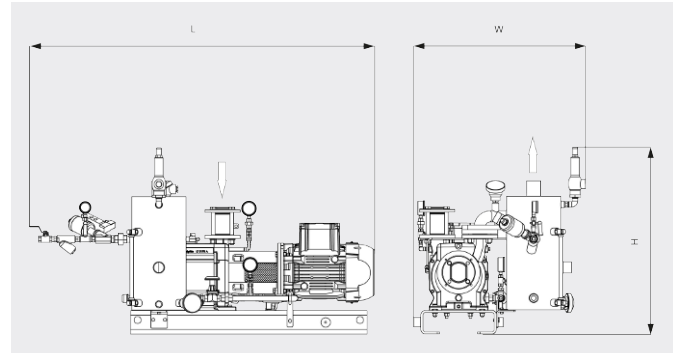


VACUUM SOLUTIONS

Dimensional drawing



Dimensional drawing



	DOLPHIN VL 0100 A Partial Recirculation	DOLPHIN VL 0180 A Partial Recirculation	DOLPHIN VL 0270 A Partial Recirculation
<b>Nominal pumping speed</b>	82 / 98 m <sup>3</sup> /h (50 / 60 Hz)	144 / 180 m <sup>3</sup> /h (50 / 60 Hz)	220 / 267 m <sup>3</sup> /h (50 / 60 Hz)
<b>Ultimate pressure</b>	130 hPa (mbar) (50 / 60 Hz)	130 hPa (mbar) (50 / 60 Hz)	130 hPa (mbar) (50 / 60 Hz)
<b>Nominal motor rating</b>	2.2 / 3.0 kW (50 / 60 Hz)	4.0 / 5.5 kW (50 / 60 Hz)	5.5 / 7.5 kW (50 / 60 Hz)
<b>Weight approx.</b>	183 / 205 kg (Safe / ATEX)	187 / 229 kg (Safe / ATEX)	230 / 269 kg (Safe / ATEX)
<b>Dimensions (L x W x H)</b>	983 x 704 x 647 / 1020 x 724 x 788 mm (Safe / ATEX)	1028 x 704 x 647 / 1090 x 724 x 788 mm (Safe / ATEX)	1136 x 704 x 647 / 1205 x 724 x 788 mm (Safe / ATEX)
<b>Gas inlet / outlet</b>	G 1½" / R 2"	G 1½" / R 2"	G 1½" / R 2"

## DO YOU WANT TO KNOW MORE?

Get in touch with us directly!  
[sales@busch.ie](mailto:sales@busch.ie) or +353 (0)1 832 13 30



CONTACT FORM



CALL NOW