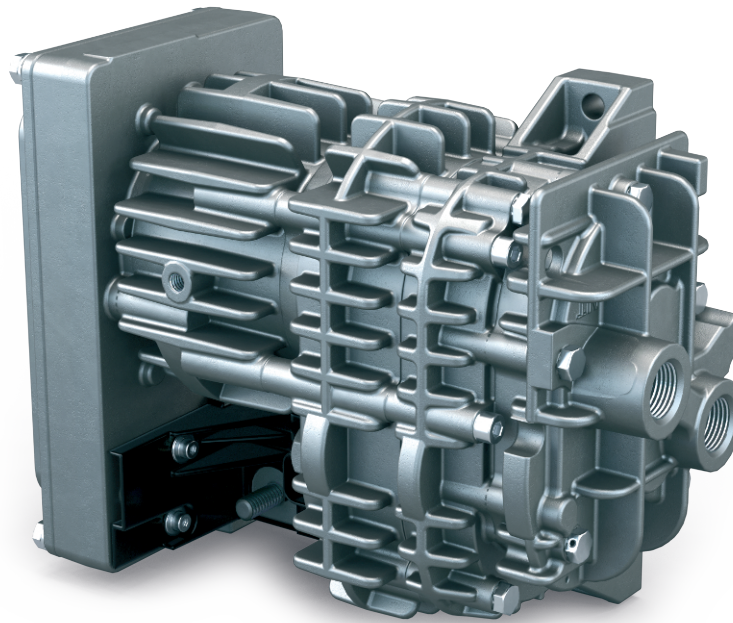


MINK MA 0018 A

Dry claw compressor



Robust

Specially designed to transport air in mobile applications, may be operated under extreme conditions, in temperature ranges between -40 °C and +100 °C and at elevations between -1,000 m and 4,000 m, resistant to severe vibration

Efficient

Latest claw compressor technology, dry and contact-free compression, no contamination of pumped medium, intelligent variable speed drive, low energy consumption, long life cycle without servicing

Compact

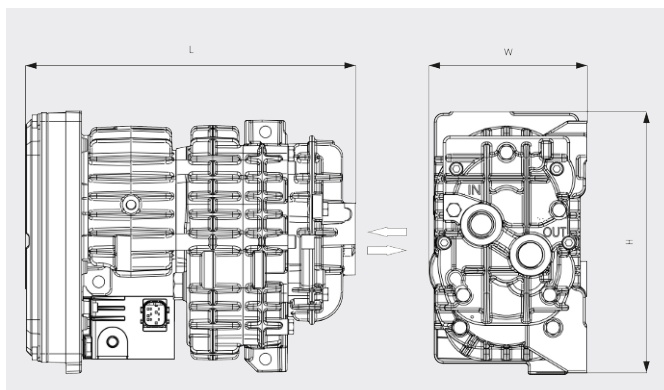
Small footprint due to "all-in-one" design

MINK MA 0018 A

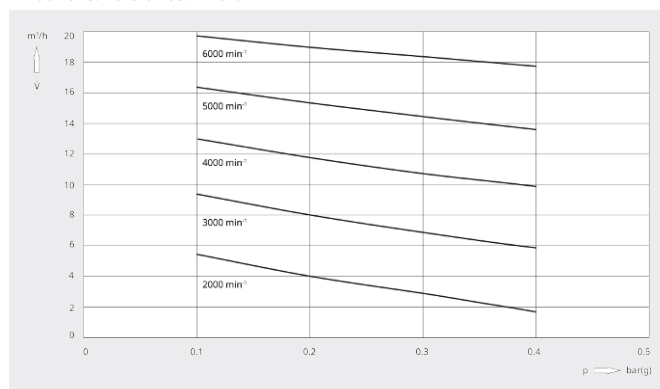
Dry claw compressor



Dimensional drawing



Pumping speed
Air at 20°C. Tolerance: ± 10%



| MINK MA 0018 A | |
|------------------------|------------------------|
| Volume flow (at inlet) | 18 m ³ /h |
| Overpressure | 0.4 bar(g) |
| Nominal motor rating | 0.5 kW |
| Nominal motor speed | 6000 min ⁻¹ |
| Ambient temperature | -40 ... +40 |
| Noise level (ISO 2151) | 73 dB(A) |
| Weight approx. | 6.5 kg |
| Dimensions (L x W x H) | 249.5 x 120 x 199 mm |
| Gas inlet / outlet | G ½" |

DO YOU WANT TO KNOW MORE?

Get in touch with us directly!
busch@buschvacuum.hu or +36 24 887 308



CONTACT FORM



CALL NOW