

DOLPHIN LA 0756/0906 A

Liquid ring vacuum pumps



Robust

Proven technology, durable single-stage construction

Reliable

Extremely high vapor and particle tolerance

Flexible

Wide range of construction materials, including cast iron (EN-GJL-200), many grades of stainless steel and even titanium, ATEX-certified version available (Cat 1(i)/2(o) IIC T5), different operating fluids possible, operation as compressor possible

Accessories, spare parts and options

- Partial or total recirculation systems
- Liquid separator
- Cavitation protection
- Heat exchanger
- Gas ejector
- Wide selection of motors
- Non-return valves
- Vacuum relief valves

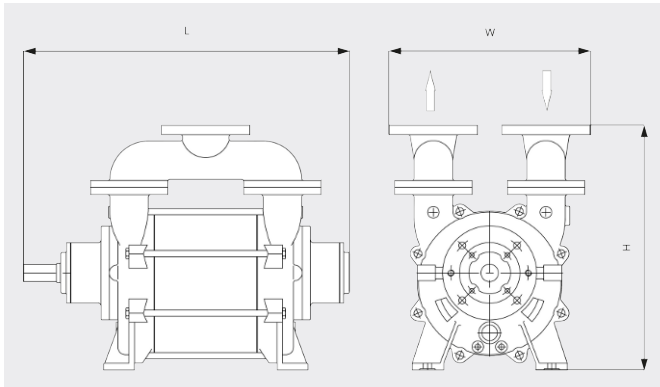
DOLPHIN LA 0756/0906 A

Liquid ring vacuum pumps



VACUUM SOLUTIONS

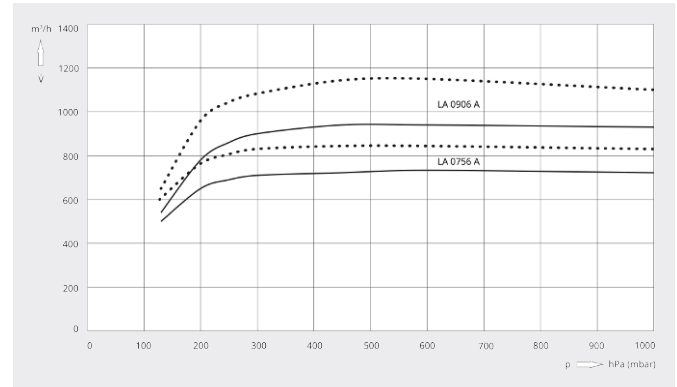
Dimensional drawing



Pumping speed

Air at 20°C. Tolerance: ± 10%

— 50 Hz 60 Hz



	DOLPHIN LA 0756 A	DOLPHIN LA 0906 A
Nominal pumping speed	750 / 840 m³/h	900 / 1100 m³/h
Ultimate pressure	130 hPa (mbar)	130 hPa (mbar)
Nominal motor rating	22 / 30 kW	30 / 37 kW
Nominal motor speed	1450 / 1750 min ⁻¹	1450 / 1750 min ⁻¹
Noise level (ISO 2151)	75 dB(A)	75 dB(A)
Weight approx.	306 kg	338 kg
Dimensions (L x W x H)	(840 – 1000) x 400 x 630 mm	(920 – 1080) x 400 x 630 mm
Gas inlet / outlet	DN 100 PN 10 / DN 100 PN 10	DN 100 PN 10 / DN 100 PN 10

DO YOU WANT TO KNOW MORE?

Get in touch with us directly!
busch@buschvacuum.hu or +36 24 887 308



CONTACT FORM



CALL NOW