

DOLPHIN LB 0526/0726 A

Liquid ring vacuum pumps



VACUUM SOLUTIONS



Robust

Proven technology, durable two-stage construction

Reliable

Extremely high vapor and particle tolerance

Flexible

Wide range of construction materials, including cast iron (EN-GJL-200), many grades of stainless steel and even titanium, ATEX-certified version available (Cat 1(i)/2(o) IIC T5), operating fluids other than water possible, operation as compressor possible

Accessories, spare parts and options

- Partial or total recirculation systems
- Liquid separator
- Cavitation protection
- Heat exchanger
- Gas ejector
- Wide selection of motors
- Non-return valves
- Vacuum relief valves

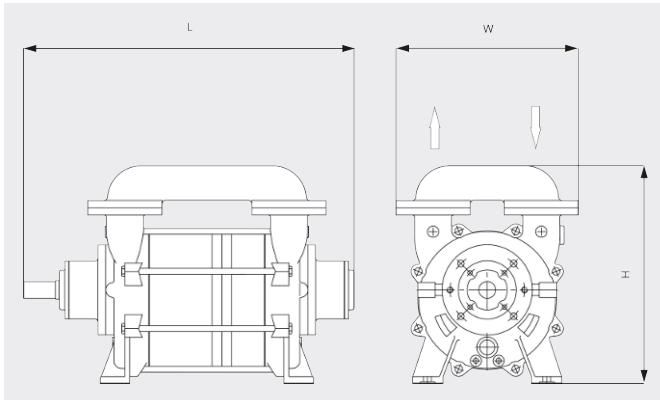
DOLPHIN LB 0526/0726 A

Liquid ring vacuum pumps



VACUUM SOLUTIONS

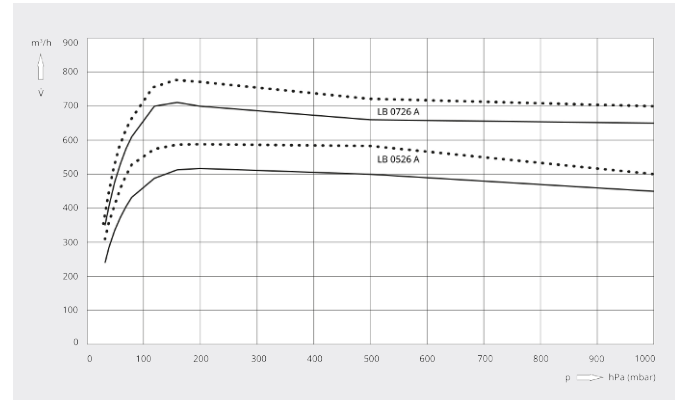
Dimensional drawing



Pumping speed

Air at 20°C. Tolerance: ± 10%

— 50 Hz 60 Hz



| | DOLPHIN LB 0526 A | DOLPHIN LB 0726 A |
|------------------------|---|---|
| Nominal pumping speed | 520 / 580 m³/h (50 / 60 Hz) | 720 / 770 m³/h (50 / 60 Hz) |
| Ultimate pressure | 33 hPa (mbar) (50 / 60 Hz) | 33 hPa (mbar) (50 / 60 Hz) |
| Max. overpressure | 2 bar(g) (50 / 60 Hz) | 2 bar(g) (50 / 60 Hz) |
| Nominal motor rating | 18.5 / 22 – 30 kW (50 / 60 Hz) | 22 / 30 – 37 kW (50 / 60 Hz) |
| Nominal motor speed | 1150 / 1450 – 1750 min ⁻¹ (50 / 60 Hz) | 1150 / 1450 – 1750 min ⁻¹ (50 / 60 Hz) |
| Noise level (ISO 2151) | 74 / 75 dB(A) (50 / 60 Hz) | 74 / 75 dB(A) (50 / 60 Hz) |
| Weight approx. | 264 kg | 278 kg |
| Dimensions (L x W x H) | (886 – 1046) x 400 x 470 mm | (1006 – 1166) x 400 x 470 mm |
| Gas inlet / outlet | DN 80 PN 10 / DN 80 PN 10 | DN 80 PN 10 / DN 80 PN 10 |

DO YOU WANT TO KNOW MORE?

Get in touch with us directly!
busch@buschvacuum.hu or +36 24 887 308



CONTACT FORM



CALL NOW