

DOLPHIN LB 2108-3108 A

Liquid ring vacuum pumps



Robust

Proven technology, durable two-stage construction

Reliable

Extremely high vapor and particle tolerance

Flexible

Wide range of construction materials, including cast iron (EN-GJL-200), many grades of stainless steel and even titanium, ATEX-certified version available (Cat 1(i)/2(o) IIC T5), operating fluids other than water possible, operation as compressor possible

Accessories, spare parts and options

- Partial or total recirculation systems
- Liquid separator
- Cavitation protection
- Heat exchanger
- Gas ejector
- Wide selection of motors
- Non-return valves
- Vacuum relief valves

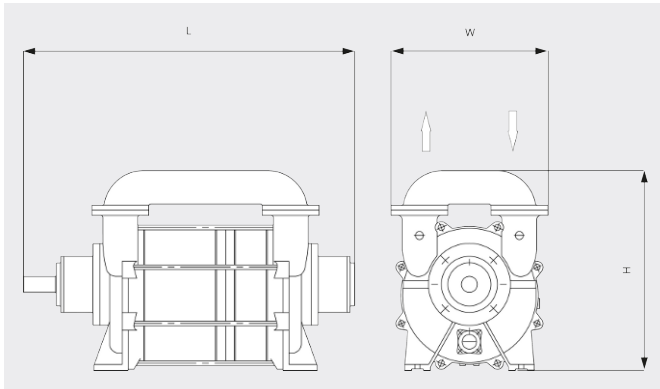
DOLPHIN LB 2108-3108 A

Liquid ring vacuum pumps



VACUUM SOLUTIONS

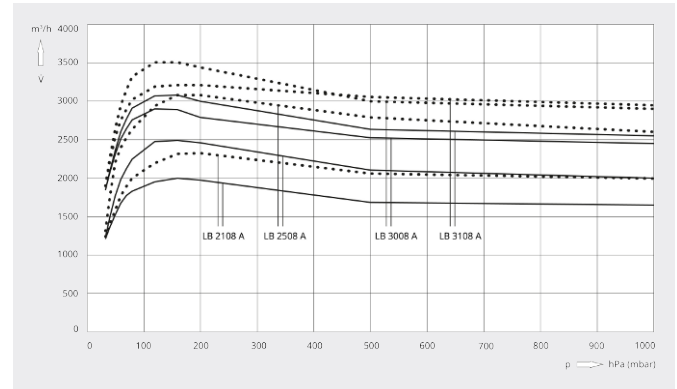
Dimensional drawing



Pumping speed

Air at 20°C. Tolerance: ± 10%

— 50 Hz 60 Hz



| | DOLPHIN LB 2108 A | DOLPHIN LB 2508 A | DOLPHIN LB 3008 A | DOLPHIN LB 3108 A |
|-------------------------------|--|--|--|--|
| Nominal pumping speed | 2100 / 2300 m³/h (50 / 60 Hz) | 2500 / 3080 m³/h (50 / 60 Hz) | 3000 / 3200 m³/h (50 / 60 Hz) | 3100 / 3500 m³/h (50 / 60 Hz) |
| Ultimate pressure | 33 hPa (mbar) (50 / 60 Hz) | 33 hPa (mbar) (50 / 60 Hz) | 33 hPa (mbar) (50 / 60 Hz) | 33 hPa (mbar) (50 / 60 Hz) |
| Nominal motor rating | 55 / 90 kW (50 / 60 Hz) | 75 / 110 kW (50 / 60 Hz) | 90 / 150 kW (50 / 60 Hz) | 110 / 150 kW (50 / 60 Hz) |
| Nominal motor speed | 735 / 880 min ⁻¹ (50 / 60 Hz) | 735 / 880 min ⁻¹ (50 / 60 Hz) | 735 / 880 min ⁻¹ (50 / 60 Hz) | 735 / 880 min ⁻¹ (50 / 60 Hz) |
| Noise level (ISO 2151) | 79 dB(A) | 79 dB(A) | 79 dB(A) | 79 dB(A) |
| Weight approx. | 1526 kg | 1664 kg | 1800 kg | 2090 kg |
| Dimensions (L x W x H) | (1658 – 1938) x 650 x 800 mm | (1808 – 2088) x 650 x 800mm | (1908 – 2188) x 650 x 800 mm | (1943 – 2223) x 650 x 800 mm |
| Gas inlet / outlet | DN 150 PN 10 / DN 150 PN 10 | DN 150 PN 10 / DN 150 PN 10 | DN 150 PN 10 / DN 150 PN 10 | DN 150 PN 10 / DN 150 PN 10 |

DO YOU WANT TO KNOW MORE?

Get in touch with us directly!
busch@buschvacuum.hu or +36 24 887 308



CONTACT FORM



CALL NOW