

APOVAC AP 0110-0180 A

Vacuum systems for chemical and pharmaceutical industries



VACUUM SOLUTIONS



Proven performance

Standard vacuum system with proven DOLPHIN liquid ring vacuum pumps, specially designed for major processes in chemical and pharmaceutical industries, such as distillation, crystallization, filtration, vacuum drying

Robust

Handling of toxic, corrosive or explosive gases, extremely high vapor and particle tolerance, for harsh process conditions, double condensation to ensure minimum carryover and maximum solvent recovery

Cost-effective

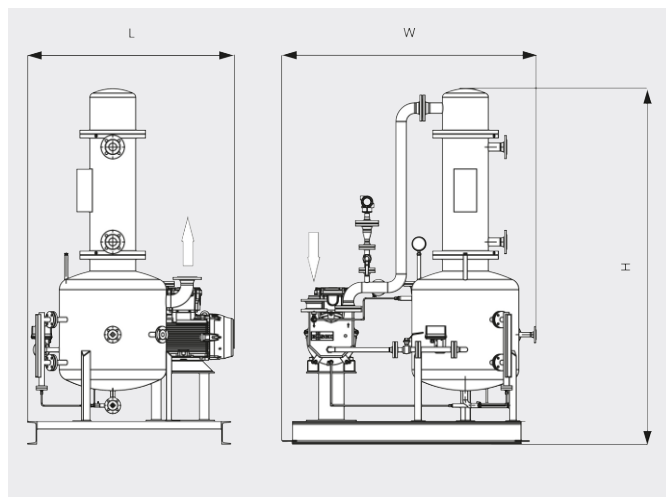
Low operating costs, high uptime, minimal maintenance, long service life

APOVAC AP 0110-0180 A

Vacuum systems for chemical and pharmaceutical industries



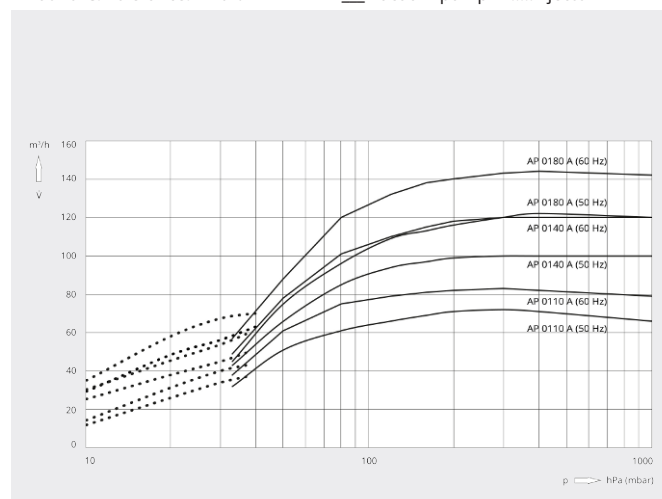
Dimensional drawing



Pumping speed

Air at 20°C. Tolerance: ± 10%

— Vacuum pump Ejector



| | APOVAC AP 0110 A | APOVAC AP 0140 A | APOVAC AP 0180 A |
|-------------------------------|--|--|--|
| Nominal pumping speed | 72 / 83 m ³ /h (50 / 60 Hz) | 100 / 120 m ³ /h (50 / 60 Hz) | 122 / 144 m ³ /h (50 / 60 Hz) |
| Ultimate pressure | 33 / 10 (with optional ejector) hPa (mbar) (50 / 60 Hz) | 33 / 10 (with optional ejector) hPa (mbar) (50 / 60 Hz) | 33 / 10 (with optional ejector) hPa (mbar) (50 / 60 Hz) |
| Nominal motor rating | 2.2 / 3.0 kW (50 / 60 Hz) | 3.0 / 4.0 kW (50 / 60 Hz) | 4.0 / 5.5 kW (50 / 60 Hz) |
| Nominal motor speed | 1450 / 1750 min ⁻¹ (50 / 60 Hz) | 1450 / 1750 min ⁻¹ (50 / 60 Hz) | 1450 / 1750 min ⁻¹ (50 / 60 Hz) |
| Weight approx. | 600 kg | 610 kg | 620 kg |
| Dimensions (L x W x H) | 1300 x 1300 x 1900 mm | 1300 x 1300 x 1900 mm | 1300 x 1300 x 1900 mm |
| Gas inlet / outlet | DN 40 / DN 50 | DN 40 / DN 50 | DN 40 / DN 50 |

DO YOU WANT TO KNOW MORE?

Get in touch with us directly!
busch@buschvacuum.hu or +36 24 887 308



CONTACT FORM



CALL NOW