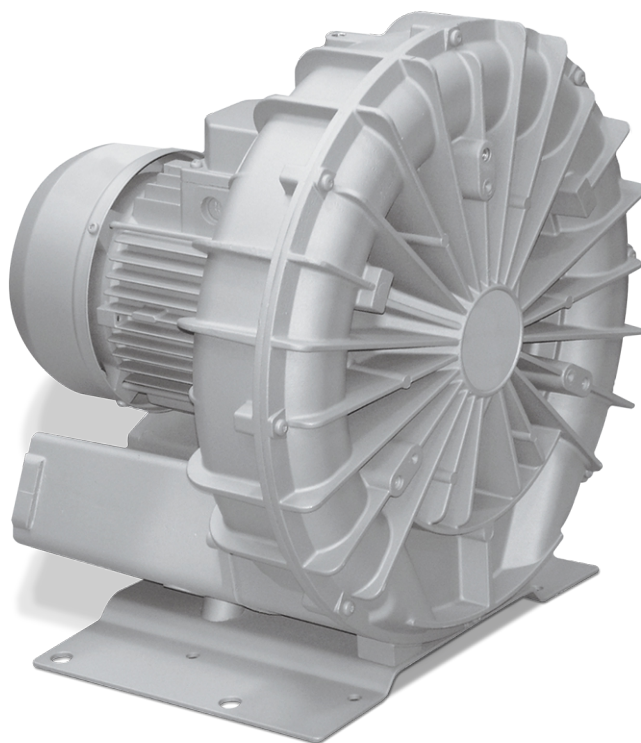


SAMOS SI 0210-0500 E1

Side channel blowers



VACUUM SOLUTIONS



Reliable

Robust and light-weight construction, effective air cooling, long lifetime, nearly maintenance-free, dry and contact-free operating principle, protection against overheating

Flexible

Vacuum or overpressure operation, horizontal and vertical installation

Quiet

Low noise level, fully enclosed unit, internal silencers

Accessories

- Vacuum relief valves
- Pressure relief valves
- Additional silencers

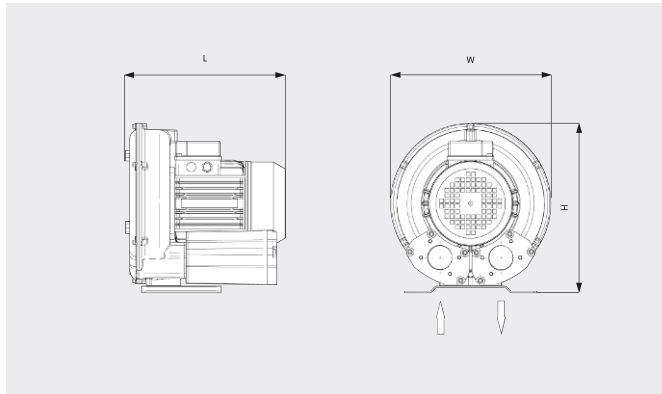
SAMOS SI 0210-0500 E1

Side channel blowers



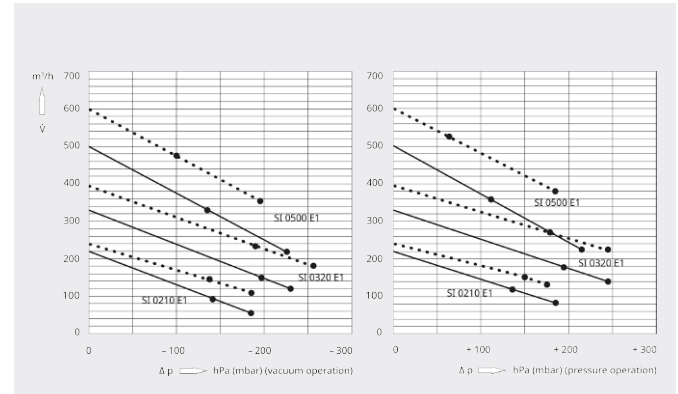
VACUUM SOLUTIONS

Dimensional drawing



Pumping speed/Volume flow
Air at 20°C. Tolerance: ± 10%

— 50 Hz 60 Hz



	SAMOS SI 0210 E1	SAMOS SI 0210 E1	SAMOS SI 0320 E1	SAMOS SI 0320 E1
Nominal pumping speed/volume flow	200 / 240 m³/h (50 / 60 Hz)	200 / 240 m³/h (50 / 60 Hz)	330 / 395 m³/h (50 / 60 Hz)	330 / 395 m³/h (50 / 60 Hz)
Max. differential pressure (vacuum version)	-145 / -135 hPa (mbar) (50 / 60 Hz)	-185 hPa (mbar) (50 / 60 Hz)	-195 / -185 hPa (mbar) (50 / 60 Hz)	-230 / -255 hPa (mbar) (50 / 60 Hz)
Max. differential pressure (overpressure version)	+145 / +135 hPa (mbar) (50 / 60 Hz)	+185 / +175 hPa (mbar) (50 / 60 Hz)	+185 / +170 hPa (mbar) (50 / 60 Hz)	+245 hPa (mbar) (50 / 60 Hz)
Nominal motor rating	1.1 / 1.3 kW (50 / 60 Hz)	1.5 / 1.7 kW (50 / 60 Hz)	2.2 / 2.5 kW (50 / 60 Hz)	3.0 / 3.4 kW (50 / 60 Hz)
Nominal motor speed	3000 / 3600 min ⁻¹ (50 / 60 Hz)	3000 / 3600 min ⁻¹ (50 / 60 Hz)	3000 / 3600 min ⁻¹ (50 / 60 Hz)	3000 / 3600 min ⁻¹ (50 / 60 Hz)
Noise level (ISO 3744)	68 / 69 dB(A) (50 / 60 Hz)	68 / 69 dB(A) (50 / 60 Hz)	76 / 77 dB(A) (50 / 60 Hz)	76 / 77 dB(A) (50 / 60 Hz)
Weight approx.	21 kg	21 kg	32 kg	32 kg
Dimensions (L x W x H)	284 x 334 x 341 mm	284 x 334 x 341 mm	356 x 395 x 415 mm	356 x 395 x 415 mm
Gas inlet / outlet	G 1½" / G 1½"	G 1½" / G 1½"	G 2" / G 2"	G 2" / G 2"

	SAMOS SI 0500 E1	SAMOS SI 0500 E1
Nominal pumping speed/volume flow	500 / 600 m³/h (50 / 60 Hz)	500 / 600 m³/h (50 / 60 Hz)
Max. differential pressure (vacuum version)	-135 / -100 hPa (mbar) (50 / 60 Hz)	-225 / -195 hPa (mbar) (50 / 60 Hz)
Max. differential pressure (overpressure version)	+105 / +60 hPa (mbar) (50 / 60 Hz)	+215 / +185 hPa (mbar) (50 / 60 Hz)
Nominal motor rating	4.0 / 4.6 kW (50 / 60 Hz)	5.5 / 6.3 kW (50 / 60 Hz)

SAMOS SI 0210-0500 E1

Side channel blowers



VACUUM SOLUTIONS

	SAMOS SI 0500 E1	SAMOS SI 0500 E1
Nominal motor speed	3000 / 3600 min ⁻¹ (50 / 60 Hz)	3000 / 3600 min ⁻¹ (50 / 60 Hz)
Noise level (ISO 3744)	77 / 81 dB(A) (50 / 60 Hz)	77 / 81 dB(A) (50 / 60 Hz)
Weight approx.	59 kg	59 kg
Dimensions (L x W x H)	537 x 395 x 414 mm	537 x 395 x 414 mm
Gas inlet / outlet	G 2" / G 2"	G 2" / G 2"

DO YOU WANT TO KNOW MORE?

Get in touch with us directly!
busch@buschvacuum.hu or +36 24 887 308



CONTACT FORM



CALL NOW