

DOLPHIN LM 0100-0270 A

Liquid ring vacuum pumps and compressors



VACUUM SOLUTIONS



Robust

Proven technology, durable single-stage construction, corrosion-free stainless steel impeller, direct flange-mounted motor, no base frame required, integrated flow channel

Reliable

Extremely high vapor and particle tolerance, optimized gas flow

Flexible

Choice of cast iron (EN-GJL-200) or 316 grade stainless steel material housings, ATEX-certified version available (Cat 1(i/o) IIC T4), operating fluids other than water possible

Accessories

- Modular pumpsets, configured for once-through, partial or total recirculation of the operating fluid
- Liquid separator
- Cavitation protection
- Heat exchanger
- Gas ejector
- Wide selection of motors
- Non-return valves
- Vacuum relief valves
- Variable speed drive (only for LM 0180/0270 A)

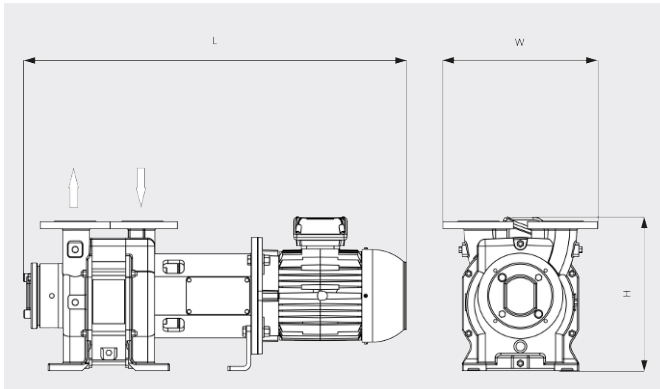
DOLPHIN LM 0100-0270 A

Liquid ring vacuum pumps and compressors



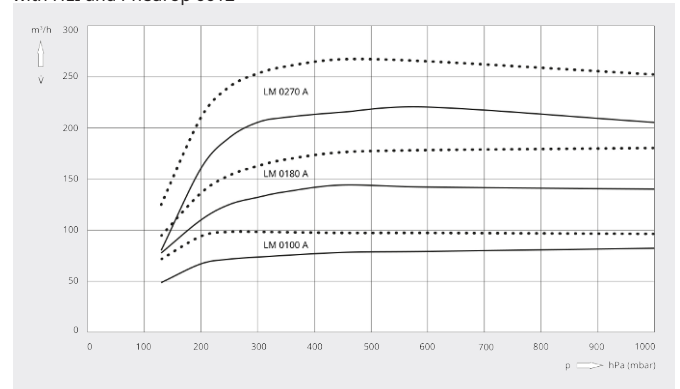
VACUUM SOLUTIONS

Dimensional drawing



Pumping speed

Dry air at 20 °C. Operating fluid water 15°C. Tolerance: - 10%, in accordance with HEI and Pneurop 6612



| | DOLPHIN LM 0100 A | DOLPHIN LM 0180 A | DOLPHIN LM 0270 A |
|-------------------------------|--|--|--|
| Nominal pumping speed | 82 / 98 m³/h (50 / 60 Hz) | 144 / 180 m³/h (50 / 60 Hz) | 220 / 267 m³/h (50 / 60 Hz) |
| Ultimate pressure | 130 hPa (mbar) (50 / 60 Hz) | 130 hPa (mbar) (50 / 60 Hz) | 130 hPa (mbar) (50 / 60 Hz) |
| Max. overpressure | 0.8 bar(g) (50 / 60 Hz) | 1.5 bar(g) (50 / 60 Hz) | 1.5 bar(g) (50 / 60 Hz) |
| Nominal motor rating | 2.2 / 3.0 kW (50 / 60 Hz) | 4.0 / 5.5 kW (50 / 60 Hz) | 5.5 / 7.5 kW (50 / 60 Hz) |
| Nominal motor speed | 1450 / 1750 min ⁻¹ (50 / 60 Hz) | 1450 / 1750 min ⁻¹ (50 / 60 Hz) | 1450 / 1750 min ⁻¹ (50 / 60 Hz) |
| Noise level (ISO 2151) | 70 / 71 dB(A) (50 / 60 Hz) | 70 / 71 dB(A) (50 / 60 Hz) | 70 / 71 dB(A) (50 / 60 Hz) |
| Weight approx. | 110 kg | 122 kg | 157 kg |
| Dimensions (L x W x H) | 811 x 330 x 329 mm | 879 x 330 x 351 mm | 988 x 330 x 380 mm |
| Gas inlet / outlet | DN 40 PN 10 / DN 40 PN 10 | DN 40 PN 10 / DN 40 PN 10 | DN 40 PN 10 / DN 40 PN 10 |

DO YOU WANT TO KNOW MORE?

Get in touch with us directly!
busch@buschvacuum.hu or +36 24 887 308



CONTACT FORM



CALL NOW