

DOLPHIN LT 0630/0750 A

Liquid ring vacuum pumps



VACUUM SOLUTIONS



Robust

Proven technology, durable two-stage construction, corrosion-free stainless steel impeller, direct flange-mounted motor, no base frame required, integrated flow channel

Reliable

Extremely high vapor and particle tolerance, optimized gas flow

Flexible

Choice of cast iron (EN-GJL-200) or 316 grade stainless steel material housings, ATEX-certified version available (Cat 1(i/o) IIC T4), operating fluids other than water possible

Accessories

- Modular pumpsets, configured for once-through, partial or total recirculation of the operating fluid
- Liquid separator
- Cavitation protection
- Heat exchanger
- Gas ejector
- Wide selection of motors
- Non-return valves
- Vacuum relief valves
- Variable speed drive (only for LT 0630 A)

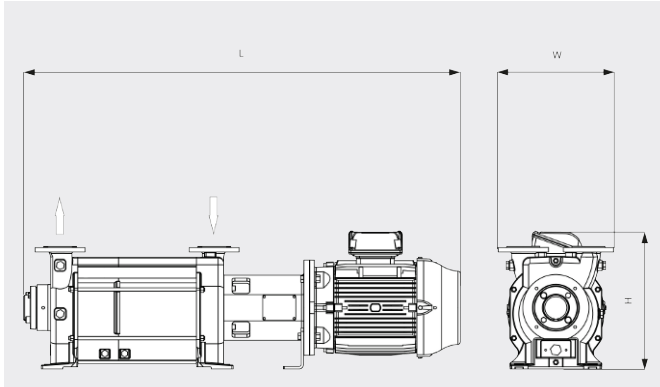
DOLPHIN LT 0630/0750 A

Liquid ring vacuum pumps



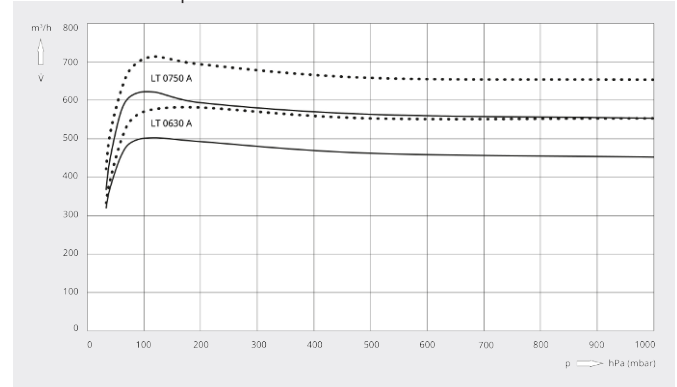
VACUUM SOLUTIONS

Dimensional drawing



Pumping speed

Dry air at 20 °C. Operating fluid water 15 °C. Tolerance: - 10%, in accordance with HEI and Pneurop 6612



| | DOLPHIN LT 0630 A | DOLPHIN LT 0750 A |
|-------------------------------|--|--|
| Nominal pumping speed | 500 / 578 m³/h (50 / 60 Hz) | 617 / 710 m³/h (50 / 60 Hz) |
| Ultimate pressure | 33 hPa (mbar) (50 / 60 Hz) | 33 hPa (mbar) (50 / 60 Hz) |
| Max. overpressure | 2 bar(g) | 2 bar(g) |
| Nominal motor rating | 15.0 / 22.0 kW (50 / 60 Hz) | 18.5 / 30.0 kW (50 / 60 Hz) |
| Nominal motor speed | 1450 / 1750 min ⁻¹ (50 / 60 Hz) | 1450 / 1750 min ⁻¹ (50 / 60 Hz) |
| Noise level (ISO 2151) | 75 / 76 dB(A) (50 / 60 Hz) | 75 / 76 dB(A) (50 / 60 Hz) |
| Weight approx. | 389 kg | 430 kg |
| Dimensions (L x W x H) | 1473 x 425 x 491 mm | 1605 x 425 x 506 mm |
| Gas inlet / outlet | DN 65 PN 10 / DN 65 PN 10 | DN 65 PN 10 / DN 65 PN 10 |

DO YOU WANT TO KNOW MORE?

Get in touch with us directly!
busch@buschvacuum.hu or +36 24 887 308



CONTACT FORM



CALL NOW