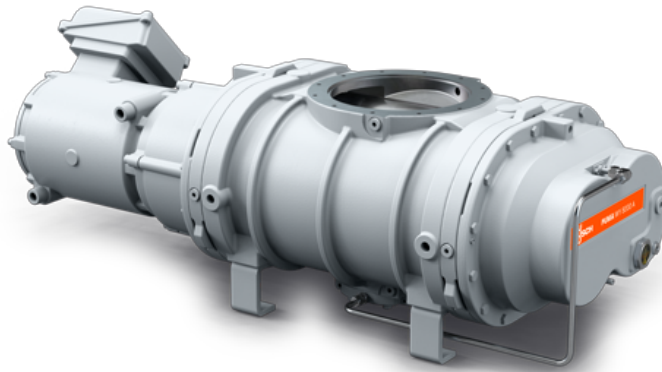


PUMA WY 8000 A

Vacuum booster



Discover all advantages of the product series PUMA WY

Reliable

Special lobe design to prevent powder and particle deposits, robust construction made of GGG40 material, leak-tight

High performance

Specially designed for harsh applications in the medium and high vacuum range, including semiconductor processes with powder and dust, excellent volumetric efficiency

Flexible

Reliable performance under varying operating conditions, boosts the performance of all types of backing pumps

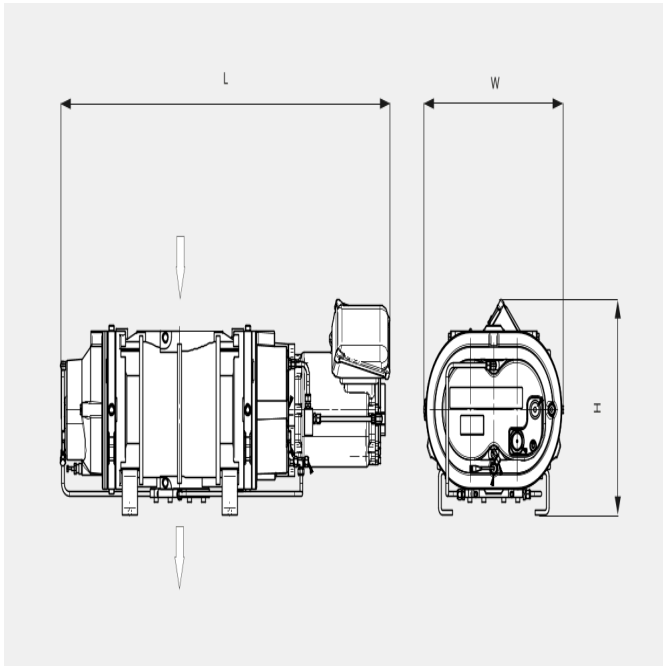
PUMA WY 8000 A

Vacuum booster



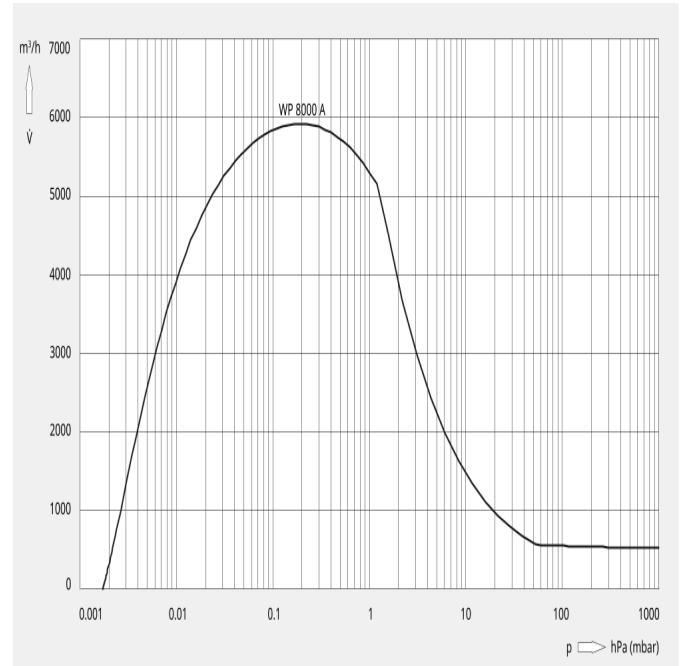
VACUUM SOLUTIONS

Dimensional drawing



Pumping speed

Air at 20 °C. Tolerance: $\pm 10\%$



The following technical values refer to ISO 50 Hz

PUMA WY 8000 A	
Nominal pumping speed	8100 m ³ /h
Pumping speed	5920 m ³ /h
Max. differential pressure	15 hPa (mbar)
Nominal motor rating	11 kW
Nominal motor speed	5400 min ⁻¹
Weight approx.	515 kg
Leakage rate	$< 1 \cdot 10^{-6}$ mbar · l/s
Dimensions (L x W x H)	1283 x 543 x 475
Gas inlet	DN 250 ISO
Gas outlet	DN 100 ISO

PUMA WY 8000 A

Vacuum booster



The following technical values refer to ISO 60 Hz

PUMA WY 8000 A	
Nominal pumping speed	8100 m ³ /h
Pumping speed	5920 m ³ /h
Max. differential pressure	15 hPa (mbar)
Nominal motor rating	11 kW
Nominal motor speed	5400 min ⁻¹
Weight approx.	515 kg
Leakage rate	< 1 · 10 ⁻⁶ mbar · l/s
Dimensions (L x W x H)	1283 x 543 x 475
Gas inlet	DN 250 ISO
Gas outlet	DN 100 ISO

DO YOU WANT TO KNOW MORE

Please contact us!
sales@busch.de or +49 (0)7622 681-3240



CONTACT FORM



CALL US NOW