

COBRA BC 0100/0200 F

Dry screw vacuum pumps



VACUUM SOLUTIONS



Discover all advantages of the product series COBRA BC

High performance

Advanced screw design, bell-shaped construction, patented self-balancing screws, excellent running qualities, perfectly suited for tasks in load lock and transfer chambers, metrology, lithography, physical vapor deposition and rapid thermal annealing

Efficient

Low cost of ownership, minimal maintenance, long service intervals, high uptime, direct water cooling, idle mode capabilities

Compact

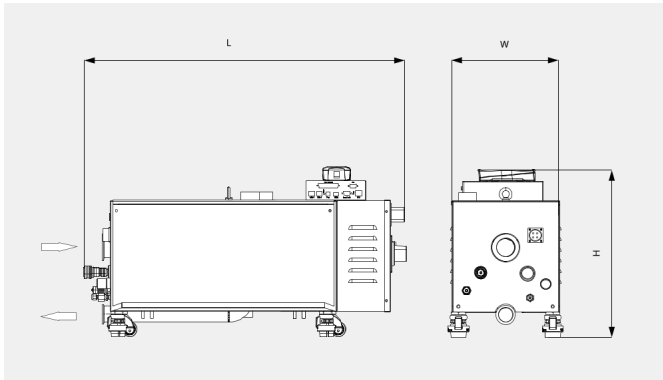
Fit-in-place design, directly mounted canned motor

COBRA BC 0100/0200 F

Dry screw vacuum pumps

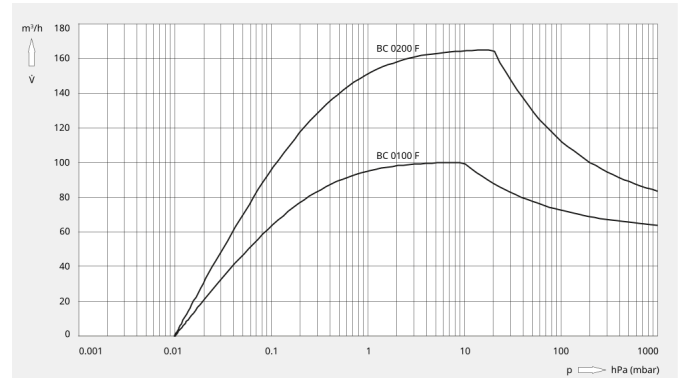


Dimensional drawing



Pumping speed

Air at 20 °C. Tolerance: ± 10%



The following technical values refer to ISO 50 Hz

	COBRA BC 0100 F	COBRA BC 0200 F
Nominal pumping speed	100 m ³ /h	165 m ³ /h
Ultimate pressure	0.01 hPa (mbar)	0.01 hPa (mbar)
Nominal motor rating	1.5 kW	2.9 kW
Power consumption at ultimate pressure	1.3 kW	1.6 kW
Power consumption idle mode	1.3 kW	1.6 kW
Nominal motor speed	3600 min ⁻¹	4570 min ⁻¹
Noise level (ISO 2151)	58 dB(A)	60 dB(A)
Water consumption	1.0 l/min	2.0 l/min
Nitrogen consumption	0 – 50 l/min	0 – 50 l/min
Weight approx.	120 kg	130 kg
Dimensions (L x W x H)	829 x 304 x 362 mm	806 x 304 x 392 mm
Gas inlet	DN 50 KF	DN 50 KF
Gas outlet	DN 40 KF	DN 40 KF

The following technical values refer to ISO 60 Hz

	COBRA BC 0100 F	COBRA BC 0200 F
Nominal pumping speed	100 m ³ /h	165 m ³ /h

COBRA BC 0100/0200 F

Dry screw vacuum pumps



	COBRA BC 0100 F	COBRA BC 0200 F
Ultimate pressure	0.01 hPa (mbar)	0.01 hPa (mbar)
Nominal motor rating	1.5 kW	2.9 kW
Power consumption at ultimate pressure	1.3 kW	1.6 kW
Power consumption idle mode	1.3 kW	1.6 kW
Nominal motor speed	3600 min ⁻¹	4570 min ⁻¹
Noise level (ISO 2151)	58 dB(A)	60 dB(A)
Water consumption	1.0 l/min	2.0 l/min
Nitrogen consumption	0 – 50 l/min	0 – 50 l/min
Weight approx.	120 kg	130 kg
Dimensions (L x W x H)	829 x 304 x 362 mm	806 x 304 x 392 mm
Gas inlet	DN 50 KF	DN 50 KF
Gas outlet	DN 40 KF	DN 40 KF

DO YOU WANT TO KNOW MORE

Please contact us!
sales@busch.de or +49 (0)7622 681-3240



CONTACT FORM



CALL US NOW