

DOLPHIN LX 0110-0180 C

Liquid ring vacuum pumps



VACUUM SOLUTIONS



Robust

Proven technology, reliable operation, extremely high particle and vapor tolerance, corrosion-free stainless steel impeller

Compact

Directly flanged motor, no base frame required

Flexible

Choice of cast iron (EN-GJL-200) or 316 grade stainless steel material housings, ATEX-certified version available (Cat. 2 (i) IIB, T4), operating fluids other than water possible

Accessories

- Partial or total recirculation systems
- Liquid separator
- Cavitation protection
- Heat exchanger
- Gas ejector
- Wide selection of motors
- Non-return valves
- Vacuum relief valves
- Different operating fluids possible

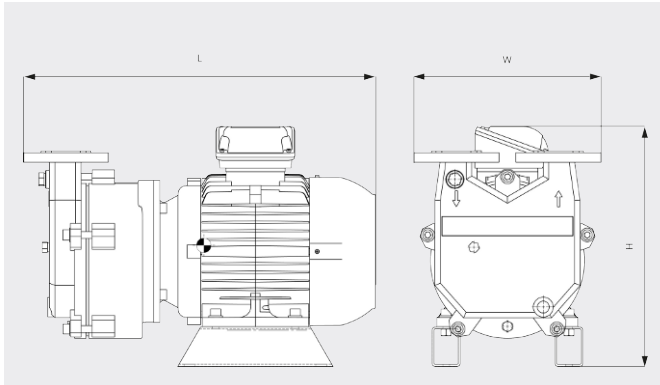
DOLPHIN LX 0110-0180 C

Liquid ring vacuum pumps



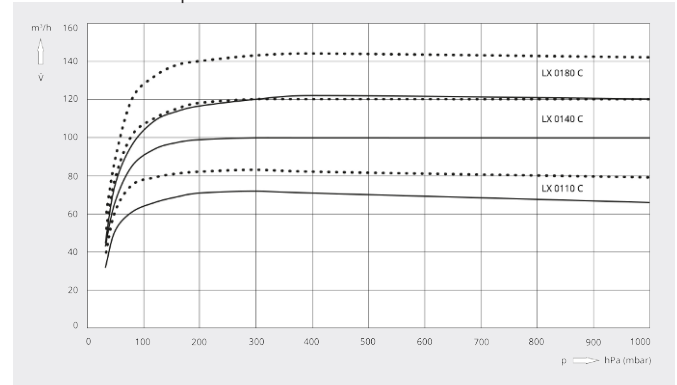
VACUUM SOLUTIONS

Dimensional drawing



Pumping speed

Dry air at 20 °C. Operating fluid water 15°C. Tolerance: - 10%, in accordance with HEI and Pneurop 6612



| | DOLPHIN LX 0110 C | DOLPHIN LX 0140 C | DOLPHIN LX 0180 C |
|-------------------------------|----------------------------|-----------------------------|-----------------------------|
| Nominal pumping speed | 72 / 83 m³/h (50 / 60 Hz) | 100 / 120 m³/h (50 / 60 Hz) | 122 / 144 m³/h (50 / 60 Hz) |
| Ultimate pressure | 33 hPa (mbar) (50 / 60 Hz) | 33 hPa (mbar) (50 / 60 Hz) | 33 hPa (mbar) (50 / 60 Hz) |
| Nominal motor rating | 2.2 / 3.0 kW (50 / 60 Hz) | 3.0 / 4.0 kW (50 / 60 Hz) | 4.0 / 5.5 kW (50 / 60 Hz) |
| Weight approx. | 76 / 83 kg (50 / 60 Hz) | 86 / 92 kg (50 / 60 Hz) | 95 / 112 kg (50 / 60 Hz) |
| Dimensions (L x W x H) | 517 x 330 x 347 mm | 568 x 330 x 347 mm | 564 x 330 x 374 mm |
| Gas inlet / outlet | DN 40 PN 16 / DN 40 PN 16 | DN 40 PN 16 / DN 40 PN 16 | DN 40 PN 16 / DN 40 PN 16 |

DO YOU WANT TO KNOW MORE?

Get in touch with us directly!



CONTACT FORM