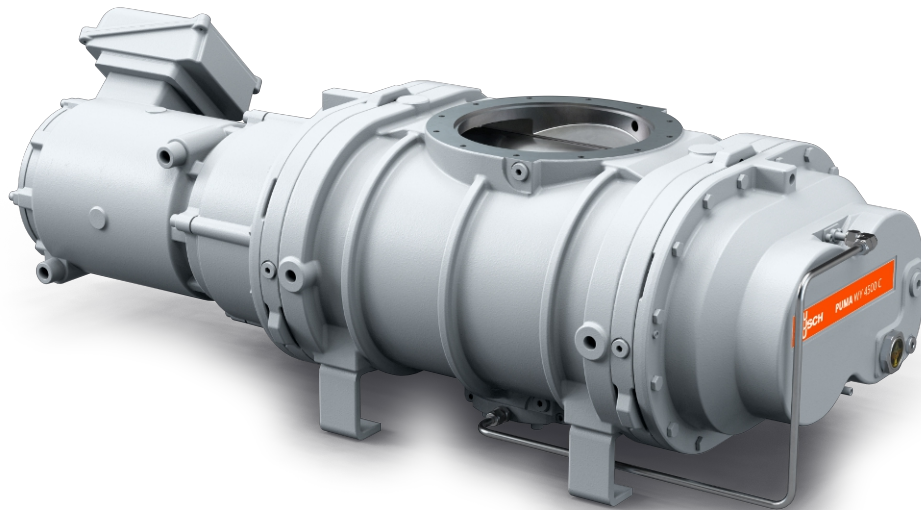


PUMA WY 2000/4500 C

Vacuum boosters



VACUUM SOLUTIONS



Reliable

Solid lobe design, robust construction made of GGG40 material, leak-tight, reliable under varying operating conditions

High performance

Excellent volumetric efficiency, increases the performance of a vacuum system by up to a factor of ten, specially designed for medium and high vacuum including semiconductor applications

Flexible

Can be flanged directly on the system at any position, boosts the performance of all types of backing pumps

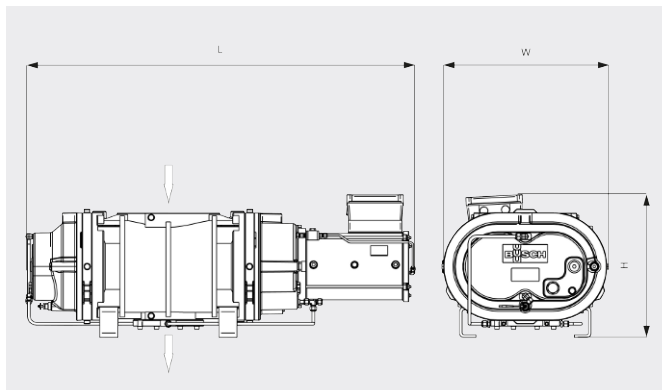
PUMA WY 2000/4500 C

Vacuum boosters



VACUUM SOLUTIONS

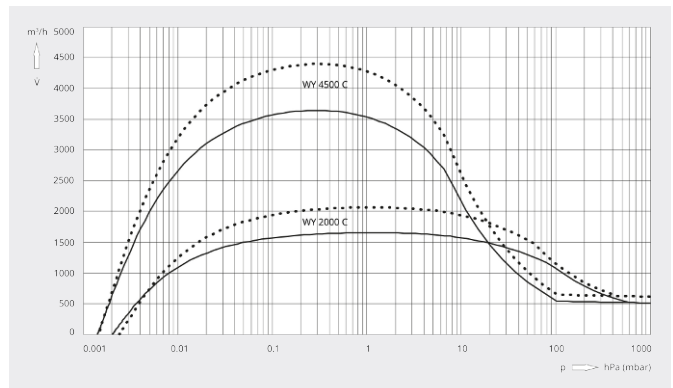
Dimensional drawing



Pumping speed

Air at 20°C. Tolerance: ± 10%

— 50 Hz 60 Hz



	PUMA WY 2000 C	PUMA WY 4500 C
Nominal pumping speed	2010 / 2435 m³/h (50 / 60 Hz)	4500 / 5400 m³/h (50 / 60 Hz)
Pumping speed	1655 / 2066 m³/h (50 / 60 Hz)	3642 / 4397 m³/h (50 / 60 Hz)
Max. differential pressure	50 hPa (mbar) (50 / 60 Hz)	30 hPa (mbar) (50 / 60 Hz)
Nominal motor rating	5.5 / 6.6 kW (50 / 60 Hz)	15 kW (50 / 60 Hz)
Nominal motor speed	3000 / 3600 min ⁻¹ (50 / 60 Hz)	3000 / 3600 min ⁻¹ (50 / 60 Hz)
Weight approx.	280 kg	600 kg
Leakage rate	< 1 · 10 ⁻⁶ mbar · l/s	< 1 · 10 ⁻⁶ mbar · l/s
Dimensions (L x W x H)	936 x 390 x 270 mm	1283 x 543 x 476 mm
Gas inlet / outlet	DN 160 ISO / DN 160 ISO	DN 250 ISO / DN 100 ISO

DO YOU WANT TO KNOW MORE?

Get in touch with us directly!



CONTACT FORM