

# R5 RA 0520 A ECOTORQUE

Oil-lubricated rotary vane vacuum pump



## Efficient

Up to 50% energy savings thanks to the variable speed drive (VSD), automatic start and stop function with Ecomode

## High performance

High pumping speed at low pressure ranges, designed for continuous operation in the rough vacuum range, best-in-class footprint performance ratio

## Flexible

Precise adjustment of vacuum level (pressure control) and pumping speed (speed control) to process requirements, compatible with a wide range of supply voltages

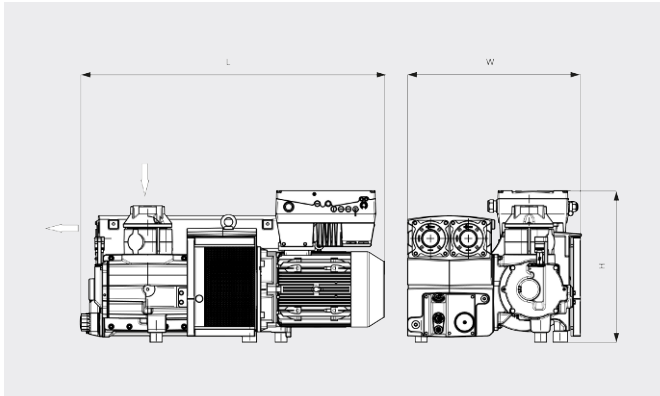
# R5 RA 0520 A ECOTORQUE

Oil-lubricated rotary vane vacuum pump



VACUUM SOLUTIONS

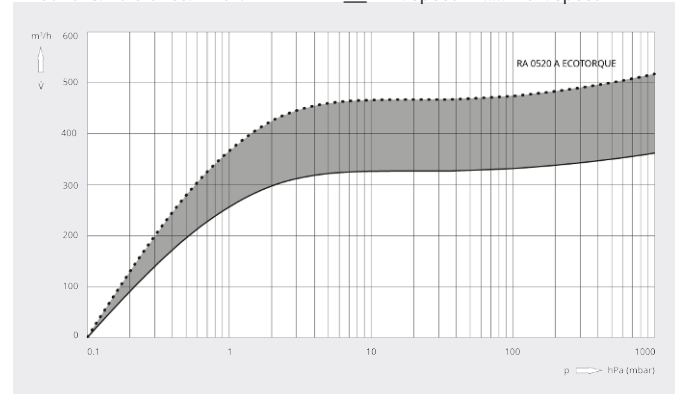
Dimensional drawing



Pumping speed

Air at 20°C. Tolerance: ± 10%

— Min. speed ..... Max. speed



R5 RA 0520 A ECOTORQUE	
Nominal pumping speed	330 – 520 m <sup>3</sup> /h
Ultimate pressure	0.1 hPa (mbar)
Nominal motor speed	800 – 1200 min <sup>-1</sup>
Power consumption at ultimate pressure	2.6 – 3.9 kW
Noise level (ISO 2151)	67 – 76 dB(A)
Oil capacity	11 l
Weight approx.	441 kg
Dimensions (L x W x H)	1253 x 718 x 626 mm
Gas inlet *	G 3"

\*Gas outlet G 3" optional

## DO YOU WANT TO KNOW MORE?

Get in touch with us directly!  
[info@busch.fi](mailto:info@busch.fi) or +358 (0)9 774 60 60



CONTACT FORM



CALL NOW