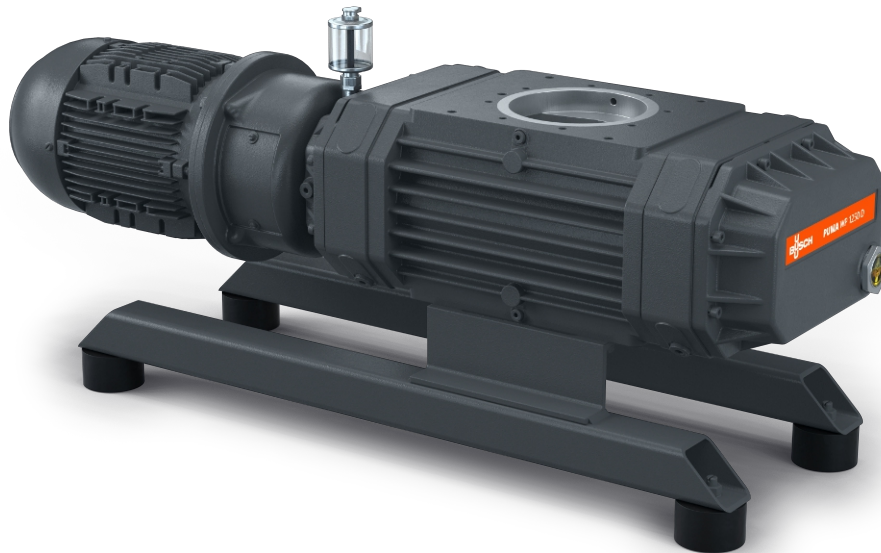


# PUMA WP 1250-4500 B2/D2

Vacuum boosters



VACUUM SOLUTIONS



## Reliable

Solid lobe design, robust construction made of GGG40 material

## High performance

Excellent volumetric efficiency, increases the performance of a vacuum system by up to a factor of ten, specially designed for rough and medium vacuum applications

## Flexible

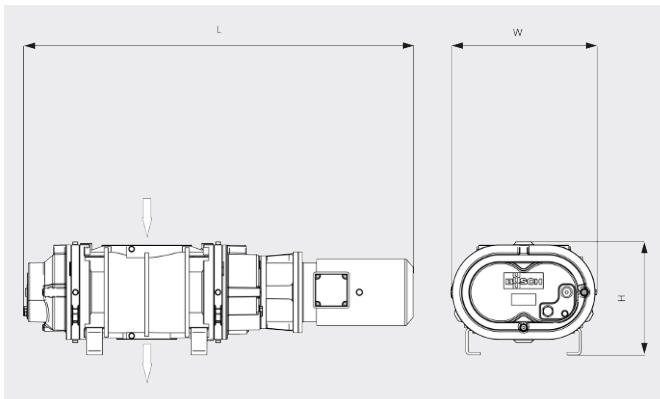
Can be flanged directly on the system at any position, boosts the performance of all types of backing pumps, control possible via pressure switch or frequency converter

# PUMA WP 1250-4500 B2/D2

Vacuum boosters



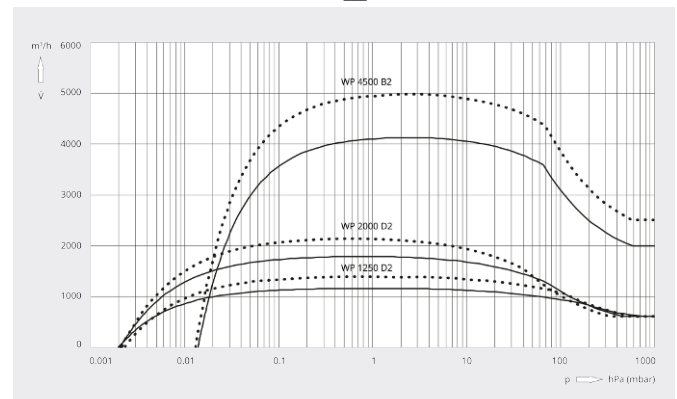
Dimensional drawing



Pumping speed

Air at 20°C. Tolerance: ± 10%

— 50 Hz ..... 60 Hz



	PUMA WP 1250 D2	PUMA WP 2000 D2	PUMA WP 4500 B2
<b>Nominal pumping speed</b>	1295 / 1555 m³/h (50 / 60 Hz)	2020 / 2435 m³/h (50 / 60 Hz)	4500 / 5400 m³/h (50 / 60 Hz)
<b>Pumping speed</b>	1166 / 1392 m³/h (50 / 60 Hz)	1791 / 2136 m³/h (50 / 60 Hz)	4126 / 4972 m³/h (50 / 60 Hz)
<b>Max. differential pressure</b>	50 hPa (mbar) (50 / 60 Hz)	50 hPa (mbar) (50 / 60 Hz)	25 hPa (mbar) (50 / 60 Hz)
<b>Nominal motor rating</b>	4.3 / 5.2 kW (50 / 60 Hz)	5.5 / 7.0 kW (50 / 60 Hz)	11.0 / 12.6 kW (50 / 60 Hz)
<b>Nominal motor speed</b>	3000 / 3600 min <sup>-1</sup> (50 / 60 Hz)	3000 / 3600 min <sup>-1</sup> (50 / 60 Hz)	3000 / 3600 min <sup>-1</sup> (50 / 60 Hz)
<b>Weight approx.</b>	250 kg	350 kg	640 kg
<b>Dimensions (L x W x H)</b>	1062 x 348 x 490 mm	1156 x 420 x 600 mm	1443 x 544 x 419 mm
<b>Gas inlet / outlet</b>	DN 160 ISO / DN 160 ISO	DN 160 ISO / DN 160 ISO	DN 250 ISO / DN 160 ISO

**DO YOU WANT TO KNOW MORE?**

Get in touch with us directly!  
[info@busch.fi](mailto:info@busch.fi) or +358 (0)9 774 60 60



CONTACT FORM



CALL NOW