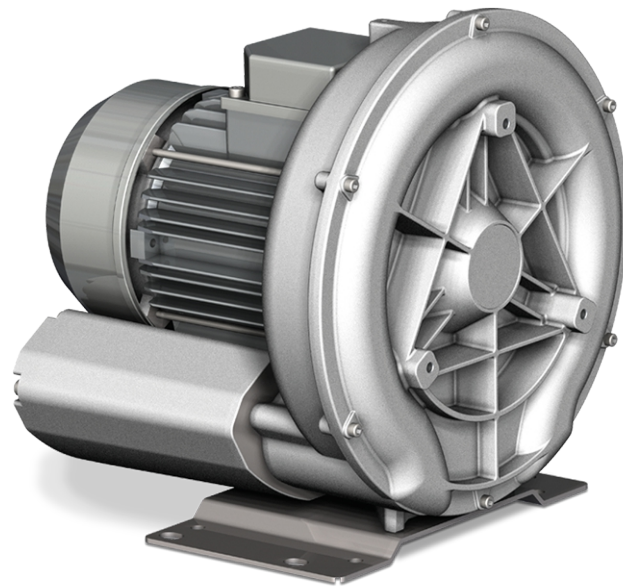


SAMOS SI 0045-0150 E1

Side channel blowers



VACUUM SOLUTIONS



Reliable

Robust and light-weight construction, effective air cooling, long lifetime, nearly maintenance-free, dry and contact-free operating principle, protection against overheating

Flexible

Vacuum or overpressure operation, horizontal and vertical installation

Quiet

Low noise level, fully enclosed unit, internal silencers

Accessories

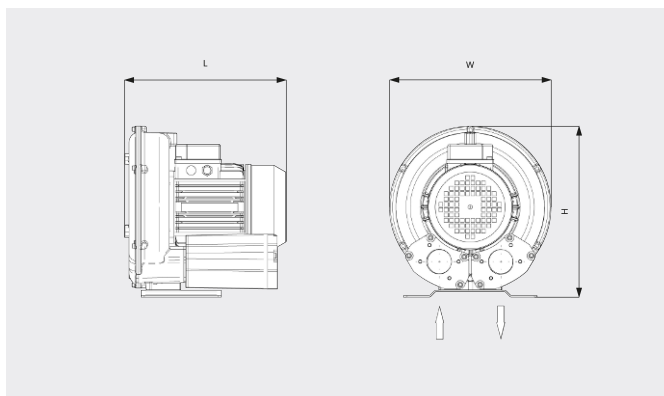
- Vacuum relief valves
- Pressure relief valves
- Additional silencers
- Inlet filter for vacuum or pressure operation

SAMOS SI 0045-0150 E1

Side channel blowers



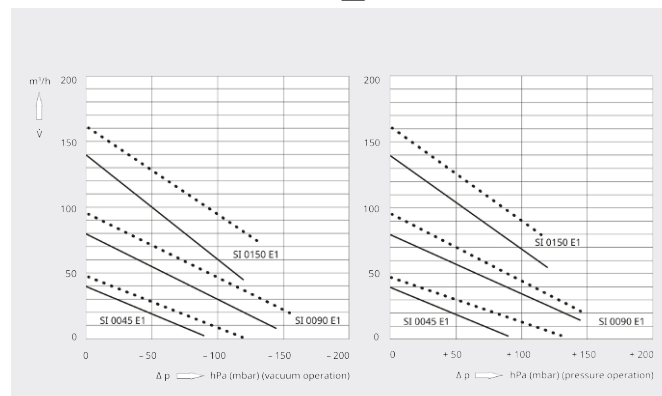
Dimensional drawing



Pumping speed/Volume flow

Air at 20°C. Tolerance: ± 10%

— 50 Hz 60 Hz



	SAMOS SI 0045 E1	SAMOS SI 0090 E1	SAMOS SI 0150 E1
Nominal pumping speed/volume flow	40 / 48 m ³ /h (50 / 60 Hz)	80 / 96 m ³ /h (50 / 60 Hz)	135 / 162 m ³ /h (50 / 60 Hz)
Max. differential pressure (vacuum version)	-90 / -120 hPa (mbar) (50 / 60 Hz)	-145 / -155 hPa (mbar) (50 / 60 Hz)	-120 / -130 hPa (mbar) (50 / 60 Hz)
Max. differential pressure (overpressure version)	+90 / +130 hPa (mbar) (50 / 60 Hz)	+145 hPa (mbar) (50 / 60 Hz)	+120 / +135 hPa (mbar) (50 / 60 Hz)
Nominal motor rating	0.2 kW (50 / 60 Hz)	0.4 / 0.5 kW (50 / 60 Hz)	0.7 / 0.9 kW (50 / 60 Hz)
Nominal motor speed	3000 / 3600 min ⁻¹ (50 / 60 Hz)	3000 / 3600 min ⁻¹ (50 / 60 Hz)	3000 / 3600 min ⁻¹ (50 / 60 Hz)
Noise level (ISO 3744)	57 / 60 dB(A) (50 / 60 Hz)	58 / 61 dB(A) (50 / 60 Hz)	64 / 66 dB(A) (50 / 60 Hz)
Weight approx.	7 kg	10 kg	18 kg
Dimensions (L x W x H)	192 x 198 x 209 mm	271 x 245 x 151 mm	283 x 302.5 x 321 mm
Gas inlet / outlet	G 1" / G 1"	G 1¼" / G 1¼"	G 1½" / G 1½"

DO YOU WANT TO KNOW MORE?

Get in touch with us directly!
info@busch.fi or +358 (0)9 774 60 60



CONTACT FORM



CALL NOW