

COBRA BA 0100 C

Dry screw vacuum pump



VACUUM SOLUTIONS



High performance

Advanced screw design, bell-shaped construction, patented self-balancing screws, excellent running qualities, perfectly suited for semiconductor and analytical applications, sterilization, freeze-drying, furnaces, thin film coating and gas recovery

Efficient

Low cost of ownership, minimal maintenance, long service intervals, high uptime, efficient air cooling

Compact

Fit-in-place design, directly mounted canned motor

Accessories

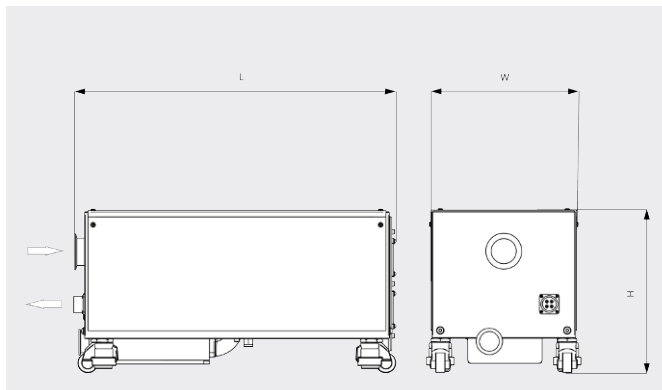
- Seal and dilution gas system for pumping vapors and condensable gases

COBRA BA 0100 C

Dry screw vacuum pump



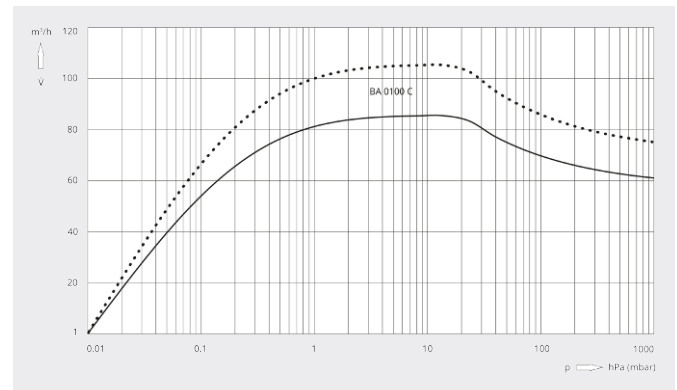
Dimensional drawing



Pumping speed

Air at 20°C. Tolerance: ± 10%

— 50 Hz 60 Hz



| COBRA BA 0100 C | |
|--|--|
| Article number | 1361570759 |
| Nominal pumping speed | 85 / 105 m³/h (50 / 60 Hz) |
| Ultimate pressure | 0.01 (50 / 60 Hz) |
| Nominal motor rating | 1.5 / 1.8 kW (50 / 60 Hz) |
| Power consumption at ultimate pressure | 1.1 / 1.25 kW (50 / 60 Hz) |
| Nominal motor speed | 3000 / 3600 min ⁻¹ (50 / 60 Hz) |
| Noise level (ISO 2151) | 58 dB(A) (50 / 60 Hz) |
| Nitrogen consumption | 0 – 50 l/min |
| Weight approx. | 120 kg |
| Dimensions (L x W x H) | 634 x 304 x 338 mm |
| Gas inlet / outlet | DN 50 KF / DN 40 KF |
| Additional information | <ul style="list-style-type: none"> • Air cooling • Horizontal stainless steel silencer • Castor wheels with integrated silent blocks • Prefilled with PFPE oil |

DO YOU WANT TO KNOW MORE?

Get in touch with us directly!
info@busch.fi or +358 (0)9 774 60 60



CONTACT FORM



CALL NOW