

# COBRA NC 2500 B

Dry screw vacuum pump



VACUUM SOLUTIONS



## High performance

Advanced screw design, patented self-balancing screws, perfectly suited for steel degassing, space simulation or vacuum drying

## Efficient

Low cost of ownership, minimal maintenance, long service intervals, high uptime, efficient water cooling

## Flexible

Various sealing configurations and ATEX-certified versions available

### Accessories

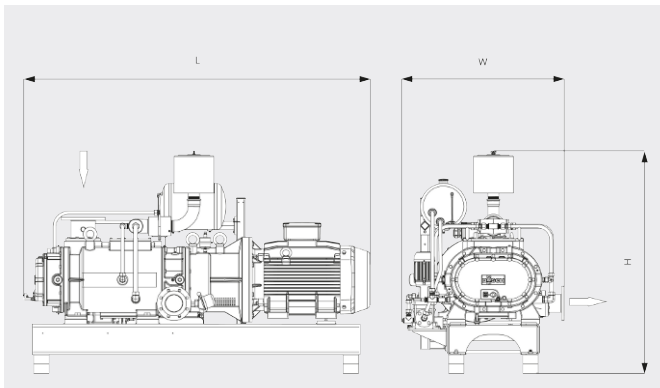
- Seal gas system
- Dilution gas system
- Adapter for ASME flanges
- Exhaust silencer
- Various sealing configurations
- ATEX-certified versions available

# COBRA NC 2500 B

Dry screw vacuum pump



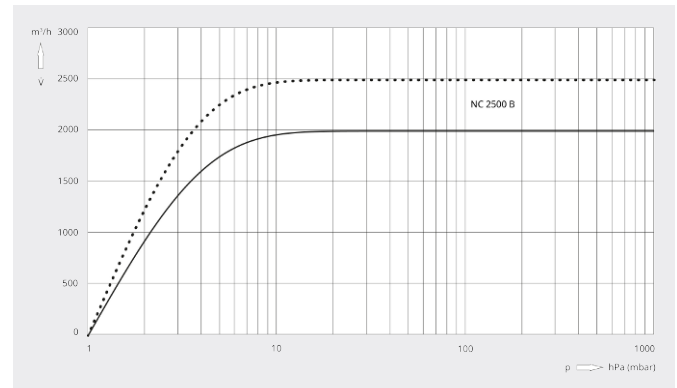
Dimensional drawing



Pumping speed

Air at 20°C. Tolerance: ± 10%

— 50 Hz    ..... 60 Hz



COBRA NC 2500 B	
Nominal pumping speed	2000 / 2500 m³/h (50 / 60 Hz)
Ultimate pressure	≤ 1.0 hPa (mbar) (50 / 60 Hz)
Nominal motor rating	55.0 / 63.0 kW (50 / 60 Hz)
Nominal motor speed	3000 / 3600 min <sup>-1</sup> (50 / 60 Hz)
Noise level (ISO 2151)	82 / 84 dB(A) (50 / 60 Hz)
Weight approx.	2000 kg
Dimensions (L x W x H)	2243 x 1053 x 1437 mm
Gas inlet / outlet	DN 150 PN 16 / DN 100 PN 16

## DO YOU WANT TO KNOW MORE?

Get in touch with us directly!  
[info@busch.fi](mailto:info@busch.fi) or +353 (0)9 774 60 60



CONTACT FORM



CALL NOW