

# R5 RA 0025/0040 F

Oil-lubricated rotary vane vacuum pumps



VACUUM SOLUTIONS



## Reliable

Robust construction, highly durable fiber-reinforced epoxy resin vanes, proven rotary vane technology, long service life

## High performance

High pumping speed at low pressures, designed for continuous operation

## Flexible

Various design options available, easy adaption to individual customer requirements and processes

### Accessories

- Gas-ballast valve
- Filter pressure gauge
- Vacuum pump oils for all applications
- Various inlet filters
- Oil level switch
- Vacuum regulating unit

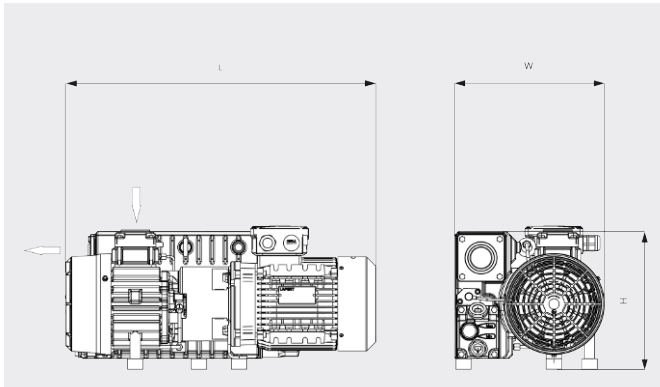
# R5 RA 0025/0040 F

Oil-lubricated rotary vane vacuum pumps



VACUUM SOLUTIONS

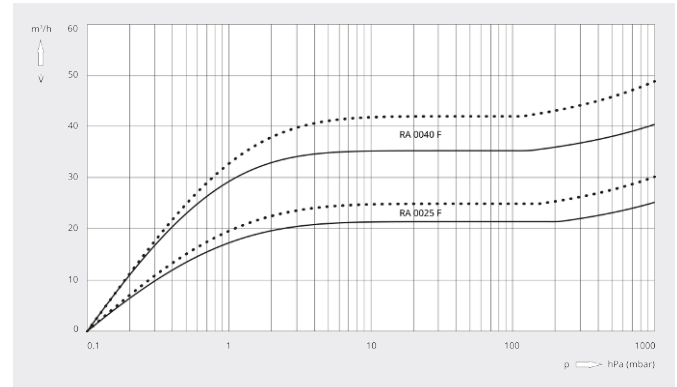
Dimensional drawing



Pumping speed

Air at 20°C. Tolerance: ± 10%

— 50 Hz ..... 60 Hz



	R5 RA 0025 F	R5 RA 0040 F
Nominal pumping speed	25 / 30 m <sup>3</sup> /h (50 / 60 Hz)	40 / 48 m <sup>3</sup> /h (50 / 60 Hz)
Ultimate pressure	0.1 hPa (mbar) (50 / 60 Hz)	0.1 hPa (mbar) (50 / 60 Hz)
Nominal motor rating	1.0 / 1.2 kW (50 / 60 Hz)	1.4 / 1.7 kW (50 / 60 Hz)
Nominal motor speed	1500 / 1800 min <sup>-1</sup> (50 / 60 Hz)	1500 / 1800 min <sup>-1</sup> (50 / 60 Hz)
Power consumption at 100 mbar	0.8 / 0.9 kW (50 / 60 Hz)	1.1 / 1.2 kW (50 / 60 Hz)
Power consumption at ultimate pressure	0.5 / 0.6 kW (50 / 60 Hz)	0.6 / 0.7 kW (50 / 60 Hz)
Noise level (ISO 2151)	60 / 63 dB(A) (50 / 60 Hz)	63 / 66 dB(A) (50 / 60 Hz)
Oil capacity	1 l	1 l
Weight approx.	36 kg	42 kg
Dimensions (L x W x H)	585 x 284 x 263 mm	625 x 284 x 263 mm
Gas inlet / outlet	G 1¼" / G 1¼"	G 1¼" / G 1¼"

DO YOU WANT TO KNOW MORE?

Get in touch with us directly!  
[info@busch.ee](mailto:info@busch.ee) or +372 568 13 203



CONTACT FORM



CALL NOW