

# DOLPHIN LB 3809/4409 A

Liquid ring vacuum pumps



VACUUM SOLUTIONS



## Robust

Proven technology, durable two-stage construction

## Reliable

Extremely high vapor and particle tolerance

## Flexible

Wide range of construction materials, including cast iron (EN-GJL-200), many grades of stainless steel and even titanium, ATEX-certified version available (Cat 1(i)/2(o) IIC T5), operating fluids other than water possible, operation as compressor possible

Accessories, spare parts and options

- Partial or total recirculation systems
- Liquid separator
- Cavitation protection
- Heat exchanger
- Gas ejector
- Wide selection of motors
- Non-return valves
- Vacuum relief valves

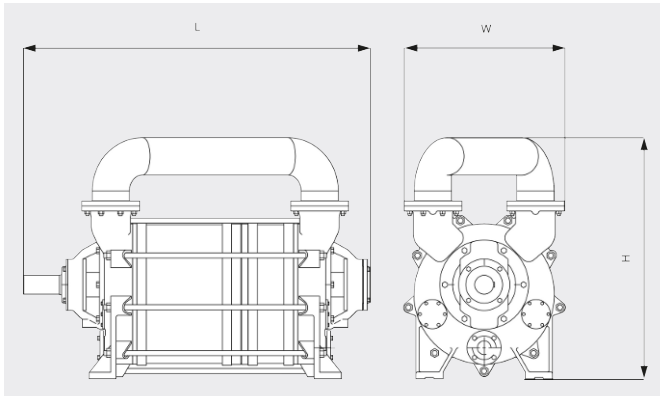
# DOLPHIN LB 3809/4409 A

Liquid ring vacuum pumps



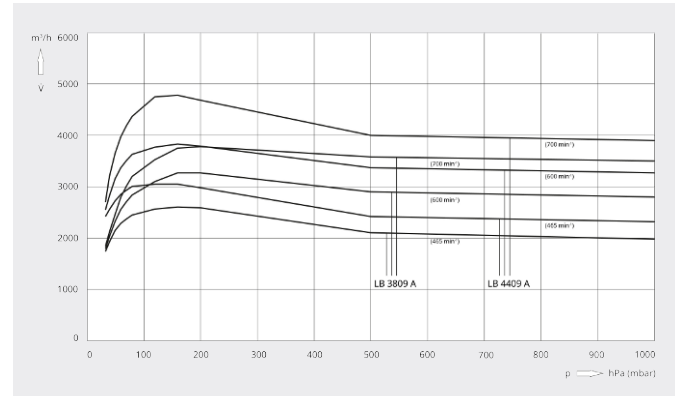
VACUUM SOLUTIONS

Dimensional drawing



Pumping speed

Air at 20°C. Tolerance: ± 10%



	DOLPHIN LB 3809 A	DOLPHIN LB 4409 A
Nominal pumping speed	2500 – 3800 m <sup>3</sup> /h (50 / 60 Hz)	2600 – 4400 m <sup>3</sup> /h (50 / 60 Hz)
Ultimate pressure	33 hPa (mbar) (50 / 60 Hz)	33 hPa (mbar) (50 / 60 Hz)
Nominal motor rating	90 – 150 kW (50 / 60 Hz)	90 – 185 kW (50 / 60 Hz)
Nominal motor speed	465 – 700 min <sup>-1</sup> (50 / 60 Hz)	465 – 700 min <sup>-1</sup> (50 / 60 Hz)
Noise level (ISO 2151)	85 dB(A) (50 / 60 Hz)	85 dB(A) (50 / 60 Hz)
Weight approx.	2200 kg	2340 kg
Dimensions (L x W x H)	2025 x 950 x 1410 mm	2150 x 950 x 1410 mm
Gas inlet / outlet	DN 200 PN 10 / DN 200 PN 10	DN 200 PN 10 / DN 200 PN 10

DO YOU WANT TO KNOW MORE?

Get in touch with us directly!  
[info@busch.ee](mailto:info@busch.ee) or +372 568 13 203



CONTACT FORM



CALL NOW