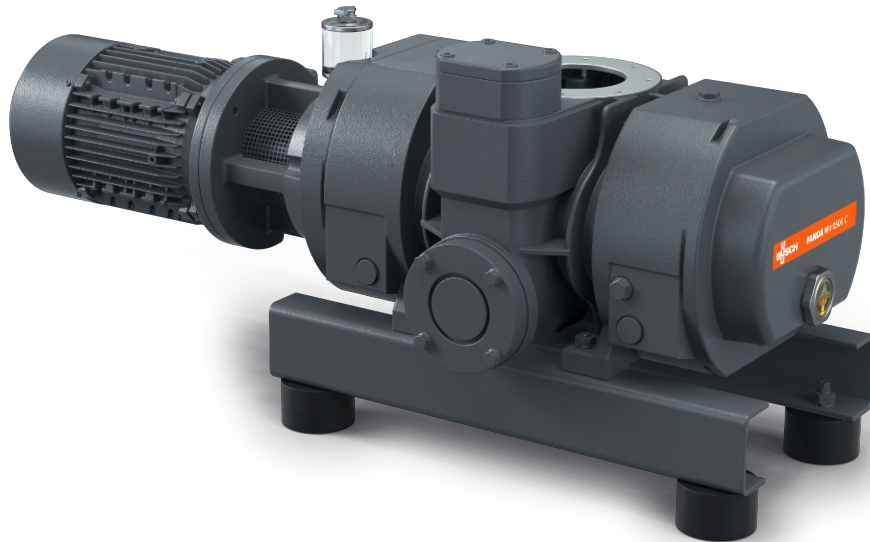


# PANDA WV 0250/0500 C

Vacuum boosters



VACUUM SOLUTIONS



## Reliable

Solid lobe design, robust construction, reliable under varying operating conditions, barrier gas connection

## High performance

Excellent volumetric efficiency, high ultimate pressure, increases the performance of a vacuum system by up to a factor of ten, integrated bypass valve, specially designed for rough and medium vacuum applications

## Flexible

Can be flanged directly on the system at any position, boosts the performance of all types of backing pumps, with vertical or lateral discharge, perfectly suited for chemical processes

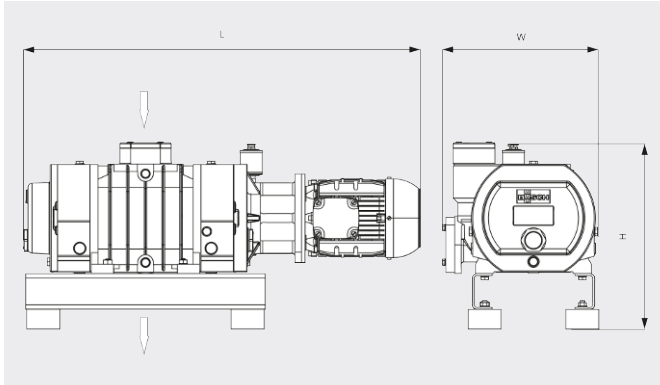
# PANDA WV 0250/0500 C

Vacuum boosters



VACUUM SOLUTIONS

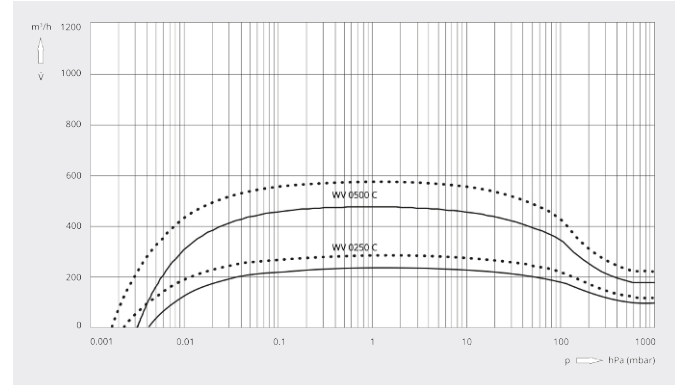
Dimensional drawing



Pumping speed

Air at 20°C. Tolerance: ± 10%

— 50 Hz ..... 60 Hz



	PANDA WV 0250 C	PANDA WV 0500 C
Nominal pumping speed	250 / 300 m³/h (50 / 60 Hz)	500 / 600 m³/h (50 / 60 Hz)
Pumping speed	235 / 285 m³/h (50 / 60 Hz)	480 / 575 m³/h (50 / 60 Hz)
Max. differential pressure	85 hPa (mbar) (50 / 60 Hz)	85 hPa (mbar) (50 / 60 Hz)
Nominal motor rating	1.1 / 1.5 kW (50 / 60 Hz)	2.2 / 3.0 kW (50 / 60 Hz)
Nominal motor speed	1500 / 1800 min <sup>-1</sup> (50 / 60 Hz)	3000 / 3600 min <sup>-1</sup> (50 / 60 Hz)
Weight approx.	150 kg	150 kg
Dimensions (L x W x H)	904 x 352 x 422 mm	917 x 352 x 422 mm
Gas inlet / outlet (vertical)	DN 100 ISO / DN 100 ISO	DN 100 ISO / DN 100 ISO

DO YOU WANT TO KNOW MORE?

Get in touch with us directly!  
[info@busch.ee](mailto:info@busch.ee) or +372 568 13 203



CONTACT FORM



CALL NOW