

SAMOS SB 0310–0530 D0

Side channel blowers



VACUUM SOLUTIONS



Reliable

Robust construction, effective air cooling, long lifetime, nearly maintenance-free, dry and contact-free operating principle

Flexible

Vacuum or overpressure operation, horizontal and vertical installation, various design options and ATEX-certified versions available

Quiet

Very low noise level, fully enclosed unit, internal silencers

Accessories

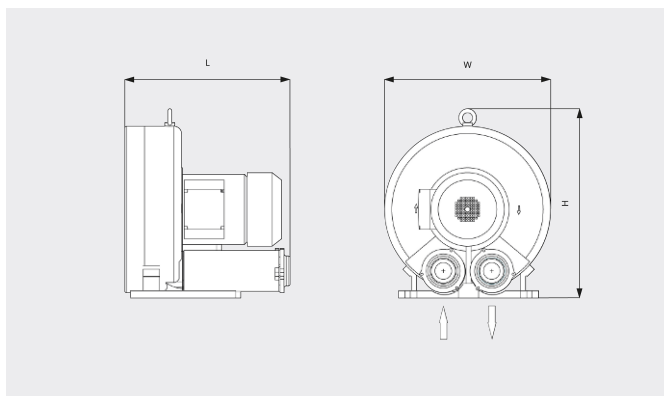
- Vacuum relief valves
- Pressure relief valves
- Additional silencers
- Thermal protection (bimetal switch or PTC-thermistor)

SAMOS SB 0310–0530 D0

Side channel blowers



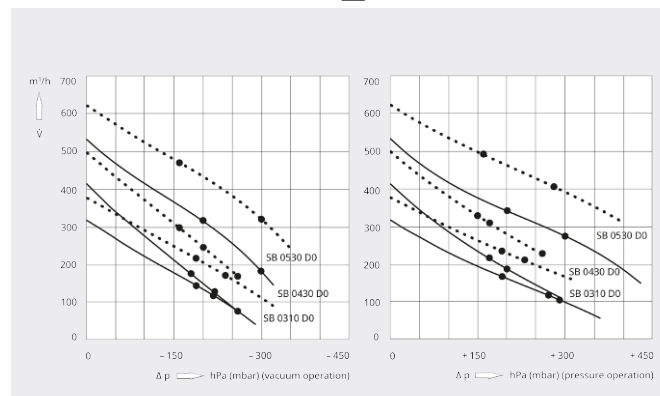
Dimensional drawing



Pumping speed/Volume flow

Air at 20°C. Tolerance: ± 10%

— 50 Hz 60 Hz



| | SAMOS SB 0310 D0 | SAMOS SB 0310 D0 |
|---|--|--|
| Nominal pumping speed/volume flow | 315 / 375 m ³ /h (50 / 60 Hz) | 315 / 375 m ³ /h (50 / 60 Hz) |
| Max. differential pressure (vacuum version) | -190 hPa (mbar) (50 / 60 Hz) | -260 / -240 hPa (mbar) (50 / 60 Hz) |
| Max. differential pressure (overpressure version) | +190 hPa (mbar) (50 / 60 Hz) | +270 / +230 hPa (mbar) (50 / 60 Hz) |
| Nominal motor rating | 2.2 / 2.5 kW (50 / 60 Hz) | 3.0 / 3.4 kW (50 / 60 Hz) |
| Nominal motor speed | 2850 / 3450 min ⁻¹ (50 / 60 Hz) | 2850 / 3450 min ⁻¹ (50 / 60 Hz) |
| Noise level (ISO 3744) | 69 / 72 dB(A) (50 / 60 Hz) | 69 / 72 dB(A) (50 / 60 Hz) |
| Weight approx. | 30 kg | 35 kg |
| Dimensions (L x W x H) | 411 x 382 x 384 mm | 411 x 382 x 384 mm |
| Gas inlet / outlet | G 2" / G 2" | G 2" / G 2" |

| | SAMOS SB 0430 D0 | SAMOS SB 0430 D0 | SAMOS SB 0430 D0 |
|---|--|--|--|
| Nominal pumping speed/volume flow | 415 / 500 m ³ /h (50 / 60 Hz) | 415 / 500 m ³ /h (50 / 60 Hz) | 415 / 500 m ³ /h (50 / 60 Hz) |
| Max. differential pressure (vacuum version) | -180 / -160 hPa (mbar) (50 / 60 Hz) | -220 / -200 hPa (mbar) (50 / 60 Hz) | -260 hPa (mbar) (50 / 60 Hz) |
| Max. differential pressure (overpressure version) | +170 / +150 hPa (mbar) (50 / 60 Hz) | +200 / +170 hPa (mbar) (50 / 60 Hz) | +290 hPa (mbar) (50 / 60 Hz) |
| Nominal motor rating | 2.2 / 2.5 kW (50 / 60 Hz) | 3.0 / 3.4 kW (50 / 60 Hz) | 4.0 / 4.6 kW (50 / 60 Hz) |

SAMOS SB 0310–0530 D0

Side channel blowers



VACUUM SOLUTIONS

| | SAMOS SB 0430 D0 | SAMOS SB 0430 D0 | SAMOS SB 0430 D0 |
|------------------------|--|--|--|
| Nominal motor speed | 2850 / 3450 min ⁻¹ (50 / 60 Hz) | 2850 / 3450 min ⁻¹ (50 / 60 Hz) | 2850 / 3450 min ⁻¹ (50 / 60 Hz) |
| Noise level (ISO 3744) | 70 / 73 dB(A) (50 / 60 Hz) | 70 / 73 dB(A) (50 / 60 Hz) | 70 / 73 dB(A) (50 / 60 Hz) |
| Weight approx. | 32 kg | 37 kg | 43 kg |
| Dimensions (L x W x H) | 440 x 381 x 420 mm | 440 x 381 x 420 mm | 440 x 381 x 420 mm |
| Gas inlet / outlet | G 2" / G 2" | G 2" / G 2" | G 2" / G 2" |

| | SAMOS SB 0530 D0 | SAMOS SB 0530 D0 |
|---|--|--|
| Nominal pumping speed/volume flow | 530 / 620 m ³ /h (50 / 60 Hz) | 530 / 620 m ³ /h (50 / 60 Hz) |
| Max. differential pressure (vacuum version) | -200 / -160 hPa (mbar) (50 / 60 Hz) | -300 hPa (mbar) (50 / 60 Hz) |
| Max. differential pressure (overpressure version) | +200 / +160 hPa (mbar) (50 / 60 Hz) | +300 / +280 hPa (mbar) (50 / 60 Hz) |
| Nominal motor rating | 4.0 / 4.6 kW (50 / 60 Hz) | 5.5 / 6.3 kW (50 / 60 Hz) |
| Nominal motor speed | 2850 / 3450 min ⁻¹ (50 / 60 Hz) | 2850 / 3450 min ⁻¹ (50 / 60 Hz) |
| Noise level (ISO 3744) | 70 / 74 dB(A) (50 / 60 Hz) | 70 / 74 dB(A) (50 / 60 Hz) |
| Weight approx. | 117 kg | 126 kg |
| Dimensions (L x W x H) | 495 x 498 x 514 mm | 495 x 498 x 514 mm |
| Gas inlet / outlet | G 2½" / G 2½" | G 2½" / G 2½" |

DO YOU WANT TO KNOW MORE?

Get in touch with us directly!
info@busch.ee or +372 568 13 203



CONTACT FORM



CALL NOW