

ZEBRA RH 0030-0090 B

Two-stage oil-lubricated rotary vane vacuum pumps



VACUUM SOLUTIONS



Reliable

Specially designed for a wide range of applications in the medium vacuum range, robust construction, proven rotary vane vacuum technology

High performance

Stable pumping speed even in low pressure range

Quiet

Perfectly suited for research labs and low-noise working environments, only 60 dB(A) at 50 Hz

Accessories

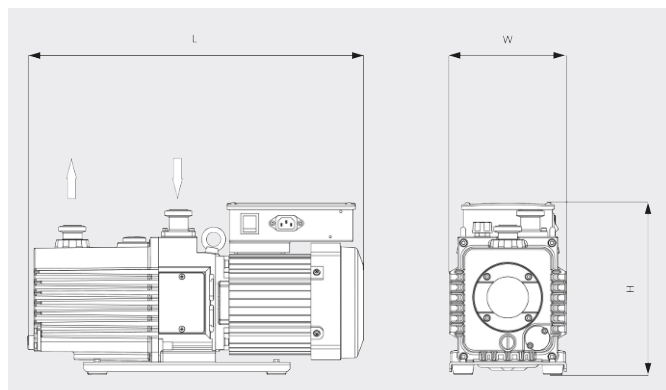
- Inlet filter
- Oil mist separator
- Oil return line
- Gas-ballast valve

ZEBRA RH 0030-0090 B

Two-stage oil-lubricated rotary vane vacuum pumps



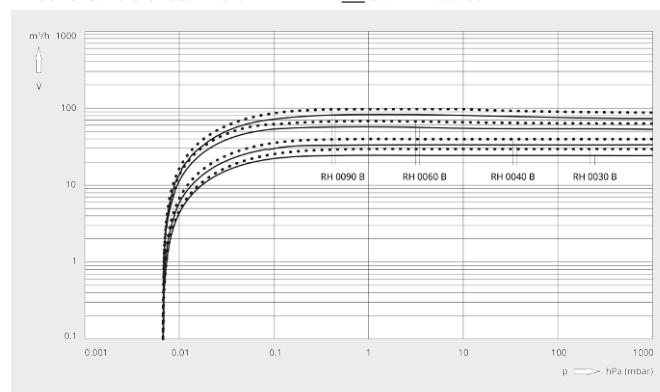
Dimensional drawing



Pumping speed

Air at 20°C. Tolerance: ± 10%

— 50 Hz 60 Hz



| | ZEBRA RH 0030 B | ZEBRA RH 0040 B | ZEBRA RH 0060 B | ZEBRA RH 0090 B |
|---|---|---|---|---|
| Pumping speed | 24 / 29 m³/h (50 / 60 Hz) | 33 / 39 m³/h (50 / 60 Hz) | 55 / 65 m³/h (50 / 60 Hz) | 80 / 95 m³/h (50 / 60 Hz) |
| Pumping speed | 400 / 483 l/min (50 / 60 Hz) | 550 / 650 l/min (50 / 60 Hz) | 917 / 1083 l/min (50 / 60 Hz) | 1333 / 1583 l/min (50 / 60 Hz) |
| Ultimate partial pressure (gas-ballast valve closed) | 6.7 · 10 ⁻⁴ hPa (mbar) | 6.7 · 10 ⁻⁴ hPa (mbar) | 6.7 · 10 ⁻⁴ hPa (mbar) | 6.7 · 10 ⁻⁴ hPa (mbar) |
| Ultimate total pressure (gas-ballast valve closed) | 6.7 · 10 ⁻³ hPa (mbar) | 6.7 · 10 ⁻³ hPa (mbar) | 6.7 · 10 ⁻³ hPa (mbar) | 6.7 · 10 ⁻³ hPa (mbar) |
| Ultimate total pressure (gas-ballast valve open) | 2 · 10 ⁻² hPa (mbar) | 2 · 10 ⁻² hPa (mbar) | 2 · 10 ⁻² hPa (mbar) | 2 · 10 ⁻² hPa (mbar) |
| Max. continuous inlet pressure | 65 hPa (mbar) | 65 hPa (mbar) | 65 hPa (mbar) | 10 hPa (mbar) |
| Max. back pressure (gauge) | 300 hPa (mbar) | 300 hPa (mbar) | 300 hPa (mbar) | 300 hPa (mbar) |
| Water vapor capacity (gas-ballast valve open) | 190 / 250 g/h (50 / 60 Hz) | 270 / 410 g/h (50 / 60 Hz) | 430 / 1100 g/h (50 / 60 Hz) | 480 / 600 g/h (50 / 60 Hz) |
| Nominal motor rating | 1.5 kW | 1.5 kW | 2.2 kW | 3.7 kW |
| Operating voltage | 200 – 240 / 380 – 415 V (50 Hz) / 200 – 240 / 380 – 460 V (60 Hz) | 200 – 240 / 380 – 415 V (50 Hz) / 200 – 240 / 380 – 460 V (60 Hz) | 200 – 240 / 380 – 415 V (50 Hz) / 200 – 240 / 380 – 460 V (60 Hz) | 200 – 240 / 380 – 415 V (50 Hz) / 200 – 240 / 380 – 460 V (60 Hz) |
| Ambient temperature | 4 – 40 °C | 4 – 40 °C | 4 – 40 °C | 4 – 40 °C |
| Oil | VMA 055 | VMA 055 | VMA 055 | VMA 055 |
| Oil capacity | 2.5 l | 2.5 l | 4 l | 4 l |
| Noise level (ISO 2151) | < 57 / < 61 dB(A) (50 / 60 Hz) | < 60 / < 64 dB(A) (50 / 60 Hz) | < 60 / < 64 dB(A) (50 / 60 Hz) | < 60 / < 66 dB(A) (50 / 60 Hz) |

ZEBRA RH 0030-0090 B

Two-stage oil-lubricated rotary vane vacuum pumps



| | ZEBRA RH 0030 B | ZEBRA RH 0040 B | ZEBRA RH 0060 B | ZEBRA RH 0090 B |
|------------------------|---|---|---|--|
| Weight approx. | 58 kg | 60 kg | 90 kg | 113 kg |
| Dimensions (L x W x H) | 671 x 214 x 326 mm | 691 x 214 x 326 mm | 772 x 264 x 373 mm | 831 x 264 x 373 mm |
| Gas inlet / outlet | ISO-KF 40 / ISO-KF 40 | ISO-KF 40 / ISO-KF 40 | ISO-KF 40 / ISO-KF 40 | ISO-K 63 / ISO-KF 40 |
| Marking | cTUVus | cTUVus | cTUVus | cTUVus |
| Additional information | <ul style="list-style-type: none">• Terminal box• Prefilled with VMA 055 oil | <ul style="list-style-type: none">• Terminal box• Prefilled with VMA 055 oil | <ul style="list-style-type: none">• Terminal box• Prefilled with VMA 055 oil | <ul style="list-style-type: none">• Terminal box• Prefilled with VMA 055 oil• Vacuum pump not intended for continuous operation at pressures > 10 mbar abs. |

DO YOU WANT TO KNOW MORE?

Get in touch with us directly!
info@busch.ee or +372 568 13 203



CONTACT FORM



CALL NOW