

DOLPHIN LT 0630/0750 A

Liquid ring vacuum pumps



VACUUM SOLUTIONS



Robust

Proven technology, durable two-stage construction, corrosion-free stainless steel impeller, direct flange-mounted motor, no base frame required, integrated flow channel

Reliable

Extremely high vapor and particle tolerance, optimized gas flow

Flexible

Choice of cast iron (EN-GJL-200) or 316 grade stainless steel material housings, ATEX-certified version available (Cat 1(i/o) IIC T4), operating fluids other than water possible

Accessories

- Modular pumpsets, configured for once-through, partial or total recirculation of the operating fluid
- Liquid separator
- Cavitation protection
- Heat exchanger
- Gas ejector
- Wide selection of motors
- Non-return valves
- Vacuum relief valves
- Variable speed drive (only for LT 0630 A)

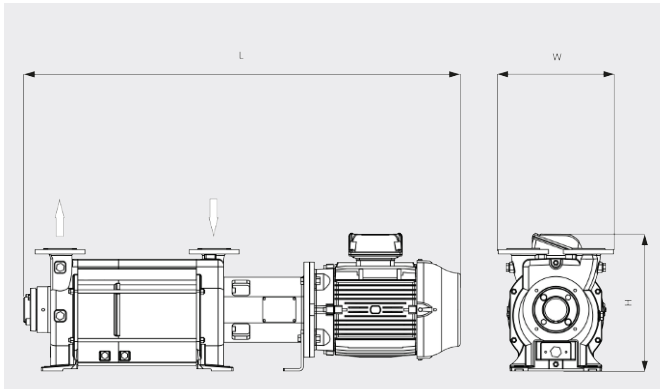
DOLPHIN LT 0630/0750 A

Liquid ring vacuum pumps



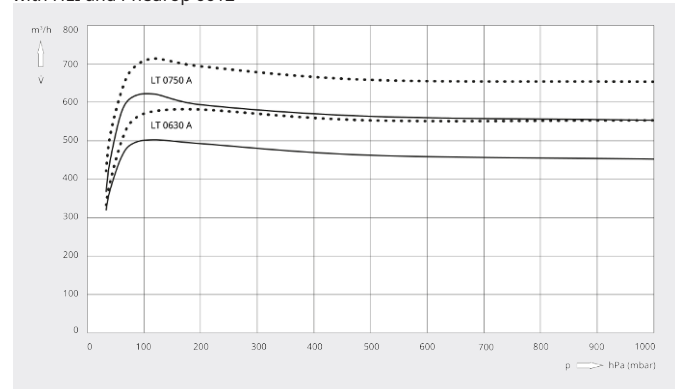
VACUUM SOLUTIONS

Dimensional drawing



Pumping speed

Dry air at 20 °C. Operating fluid water 15 °C. Tolerance: - 10%, in accordance with HEI and Pneurop 6612



	DOLPHIN LT 0630 A	DOLPHIN LT 0750 A
Nominal pumping speed	500 / 578 m³/h (50 / 60 Hz)	617 / 710 m³/h (50 / 60 Hz)
Ultimate pressure	33 hPa (mbar) (50 / 60 Hz)	33 hPa (mbar) (50 / 60 Hz)
Max. overpressure	2 bar(g)	2 bar(g)
Nominal motor rating	15.0 / 22.0 kW (50 / 60 Hz)	18.5 / 30.0 kW (50 / 60 Hz)
Nominal motor speed	1450 / 1750 min ⁻¹ (50 / 60 Hz)	1450 / 1750 min ⁻¹ (50 / 60 Hz)
Noise level (ISO 2151)	75 / 76 dB(A) (50 / 60 Hz)	75 / 76 dB(A) (50 / 60 Hz)
Weight approx.	389 kg	430 kg
Dimensions (L x W x H)	1473 x 425 x 491 mm	1605 x 425 x 506 mm
Gas inlet / outlet	DN 65 PN 10 / DN 65 PN 10	DN 65 PN 10 / DN 65 PN 10

DO YOU WANT TO KNOW MORE?

Get in touch with us directly!
info@busch.ee or +372 568 13 203



CONTACT FORM



CALL NOW