

# DOLPHIN LX 0260-0430 C

Liquid ring vacuum pumps



VACUUM SOLUTIONS



## Robust

Proven technology, reliable operation, extremely high particle and vapor tolerance, corrosion-free stainless steel impeller

## Compact

Directly flanged motor, no base frame required

## Flexible

Choice of cast iron (EN-GJL-200) or 316 grade stainless steel material housings, ATEX-certified version available (Cat. 2 (i) IIB, T4), operating fluids other than water possible

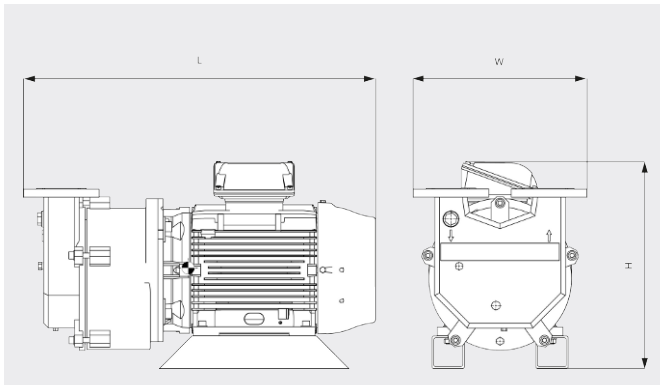
# DOLPHIN LX 0260-0430 C

Liquid ring vacuum pumps



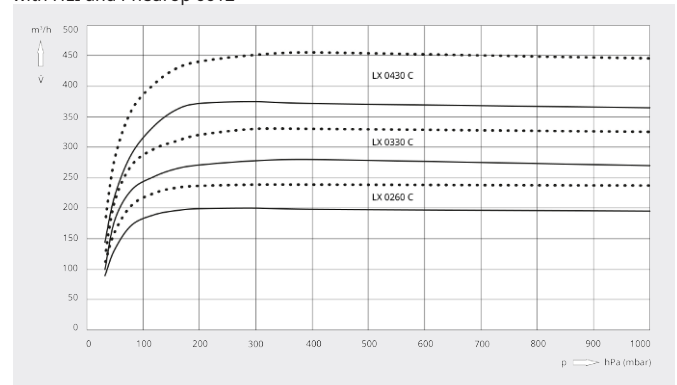
VACUUM SOLUTIONS

Dimensional drawing



Pumping speed

Dry air at 20 °C. Operating fluid water 15°C. Tolerance: - 10%, in accordance with HEI and Pneurop 6612



	DOLPHIN LX 0260 C	DOLPHIN LX 0330 C	DOLPHIN LX 0430 C
<b>Nominal pumping speed</b>	200 / 239 m³/h (50 / 60 Hz)	280 / 330 m³/h (50 / 60 Hz)	375 / 455 m³/h (50 / 60 Hz)
<b>Ultimate pressure</b>	33 hPa (mbar) (50 / 60 Hz)	33 hPa (mbar) (50 / 60 Hz)	33 hPa (mbar) (50 / 60 Hz)
<b>Nominal motor rating</b>	5.5 / 7.5 kW (50 / 60 Hz)	7.5 / 11.0 kW (50 / 60 Hz)	11.0 / 15.0 kW (50 / 60 Hz)
<b>Nominal motor speed</b>	1450 / 1750 min <sup>-1</sup> (50 / 60 Hz)	1450 / 1750 min <sup>-1</sup> (50 / 60 Hz)	1450 / 1750 min <sup>-1</sup> (50 / 60 Hz)
<b>Noise level (ISO 2151)</b>	72 dB(A) (50 / 60 Hz)	72 dB(A) (50 / 60 Hz)	72 dB(A) (50 / 60 Hz)
<b>Weight approx.</b>	135 / 145 kg (50 / 60 Hz)	147 / 198 kg (50 / 60 Hz)	227 / 247 kg (50 / 60 Hz)
<b>Dimensions (L x W x H)</b>	635 x 365 x 402 mm	706 x 365 x 402 mm	818 x 425 x 506 mm
<b>Gas inlet / outlet</b>	DN 50 PN16 / DN 50 PN16	DN 50 PN16 / DN 50 PN16	DN 65 PN16 / DN 65 PN16

DO YOU WANT TO KNOW MORE?

Get in touch with us directly!  
[info@busch.ee](mailto:info@busch.ee) or +372 568 13 203



CONTACT FORM



CALL NOW