

Dolphin

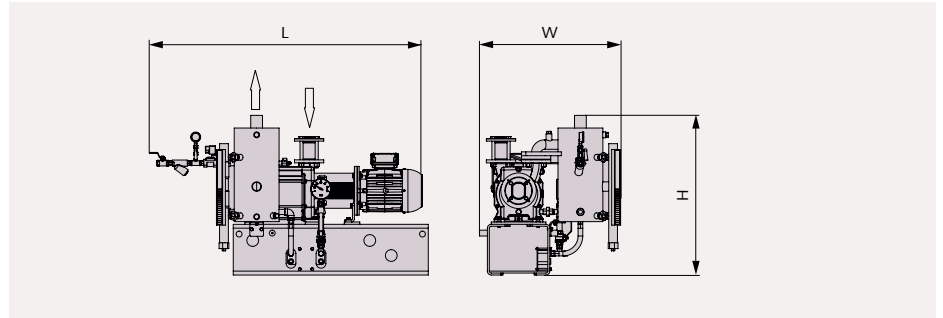
Liquid Ring Vacuum Pump Units – Total Recirculation VL 0100–0800 A



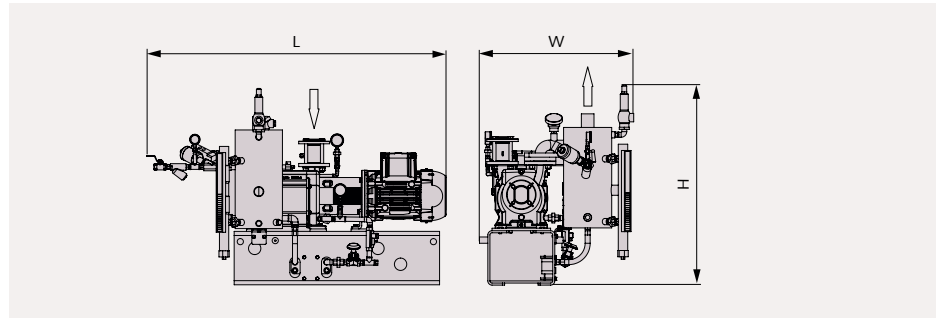
Technical specifications

Dolphin VL Total Recirculation Systems are designed for full recirculation of the operating fluid. The benefits of these total recirculation systems are low water consumption, recovery of condensed vapours and process gases, and isolation of the cooling liquid from the operating fluid. A compact yet highly efficient stainless steel separator vessel serves to separate the discharge gas/liquid mixture, allowing the operating fluid to be returned to the vacuum pump. A brazed plate heat exchanger is also included as standard (with the option of a shell and tube type) to remove the heat of compression, condensation and friction from the operating fluid before it is reintroduced back into the vacuum pump. Instrumentation including an inlet check valve, fresh liquid supply kit, level indicator with switches, temperature and pressure indicators and cavitation protection allow for simple monitoring and control of the Dolphin VL Total Recirculation Systems.

Dolphin VL 0100–0800 A Total Recirculation Safe Area System



Dolphin VL 0100–0800 A Total Recirculation Hazardous Area (ATEX) System



Technical data			VL 0100 A	VL 0180 A	VL 0270 A	VL 0530 A	VL 0800 A
Nominal pumping speed	50 Hz / 60 Hz	m ³ /h	82 / 98	144 / 180	220 / 267	440 / 556	722 / 867
Ultimate pressure	50 Hz / 60 Hz	hPa (mbar)	130	130	130	130	130
Nominal motor rating	50 Hz / 60 Hz	kW	2.2 / 3.0	4.0 / 5.5	5.5 / 7.5	11.0 / 15.0	18.5 / 22.0
Weight approx.	Safe / ATEX	kg	198 / 230	214 / 232	256 / 311	495 / 557	529 / 602
Dimensions (L x W x H)	Safe ATEX	mm	1310 x 727 x 819 1346 x 737 x 956	1360 x 727 x 819 1416 x 737 x 956	1463 x 727 x 819 1534 x 737 x 956	1819 x 894 x 1129 1918 x 942 x 1246	2007 x 977 x 1144 2087 x 1070 x 1361
Process inlet / outlet			G 1 1/2" / R 2"	G 1 1/2" / R 2"	G 1 1/2" / R 2"	G 2" / R 3"	G 2 1/2" / R 4"

Technical data			VL 0130 A	VL 0170 A	VL 0220 A	VL 0320 A
Nominal pumping speed	50 Hz / 60 Hz	m ³ /h	105 / 128	144 / 165	203 / 232	265 / 320
Ultimate pressure	50 Hz / 60 Hz	hPa (mbar)	33	33	33	33
Nominal motor rating	50 Hz / 60 Hz	kW	3.0 / 4.0	4.0 / 5.5	5.5 / 7.5	7.5 / 11.0
Weight approx.	Safe / ATEX	kg	237 / 260	247 / 277	292 / 331	409 / 442
Dimensions (L x W x H)	Safe ATEX	mm	1460 x 727 x 819 1459 x 737 x 956	1460 x 723 x 819 1491 x 737 x 956	1560 x 727 x 819 1629 x 737 x 956	1718 x 892 x 1129 1737 x 942 x 1246
Process inlet / outlet			G 1 1/2" / R 2"	G 1 1/2" / R 2"	G 1 1/2" / R 2"	G 2" / R 3"

Technical data			VL 0430 A	VL 0510 A	VL 0630 A	VL 0750 A
Nominal pumping speed	50 Hz / 60 Hz	m ³ /h	361 / 426	430 / 510	500 / 578	617 / 710
Ultimate pressure	50 Hz / 60 Hz	hPa (mbar)	33	33	33	33
Nominal motor rating	50 Hz / 60 Hz	kW	11.0 / 15.0	11.0 / 15.0	15.0 / 22.0	18.5 / 30.0
Weight approx.	Safe / ATEX	kg	475 / 515	505 / 564	583 / 622	630 / 700
Dimensions (L x W x H)	Safe ATEX	mm	1898 x 854 x 1129 1970 x 942 x 1246	1913 x 894 x 1129 2030 x 942 x 1246	2076 x 977 x 1144 2137 x 1069 x 1361	2156 x 977 x 1144 2237 x 1069 x 1361
Process inlet / outlet			G 2" / R 3"	G 2" / R 3"	G 2 1/2" / R 4"	G 2 1/2" / R 4"

www.buschvacuum.com

Argentina Australia Austria Bangladesh Belgium Brazil Canada Chile China Colombia Czech Republic Denmark Finland France Germany Hungary India Ireland Israel Italy Japan Korea Malaysia Mexico Netherlands New Zealand Norway Peru Poland Portugal Romania Russia Singapore South Africa Spain Sweden Switzerland Taiwan Thailand Turkey United Arab Emirates United Kingdom USA

Technical data is subject to change. Created in Germany. MG PL DOLPHINVL01000800ATOTALRECIRCULATION Len 09/2018 9Aa