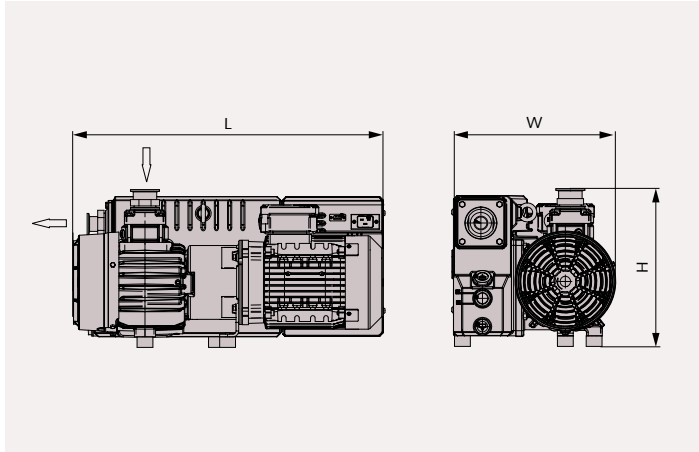


R5

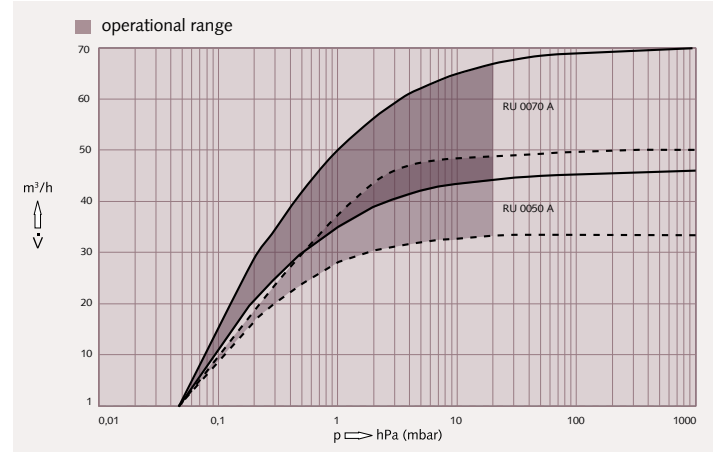
Rotary Vane Vacuum Pumps RU 0050/0070 A



R5 RU 0050/0070 A



Pumping speed Air at 20 °C. Tolerance: ± 10% — RU 0070 A ---- RU 0050 A



Technical data		RU 0050 A	RU 0070 A
Pumping speed	m³/h / l/min	50 / 833	70 / 1167
Pumping speed at 3 mbar	m³/h / l/min	46 / 767	59 / 983
Ultimate pressure	hPa (mbar) / Torr	< 0.05 / < 0.038	

Motor data		
Nominal motor rating	kW	1.2
Nominal voltage	V	200–240 ± 10% (50/60 Hz)

Physical data		
Ambient temperature	°C	12–50
Noise level (ISO 2151) at 3 mbar and 1800 min ⁻¹	dB(A)	57
Oil capacity	l	1.7
Weight approx.	kg	56
Dimensions (L x W x H)	mm	591 x 311 x 287 601 x 311 x 287
Gas inlet / outlet		DN 40 KF / DN 25 KF

Applicable standards		
Safety		IEC / UL / EN 61010-1 / NRTL mark
Immunity		EN 61326-1 Table 2, EN 61000-6-2
Protection class		IP 20
Emissions		EN 61000-3-2 class A
		EN 61000-6-4
		CISPR 11 class A, CFR 47 FCC Part 15 class A EN 55011, EN 61326-1

www.buschvacuum.com

Argentina Australia Austria Bangladesh Belgium Brazil Canada Chile China Colombia Czech Republic Denmark Finland France Germany Hungary India Ireland Israel Italy Japan Korea Malaysia Mexico Netherlands New Zealand Norway Peru Poland Portugal Romania Russia Singapore South Africa Spain Sweden Switzerland Taiwan Thailand Turkey United Arab Emirates United Kingdom USA

Technical data is subject to change. Created in Germany. MG PL R5RU00500070A Len 08/2018 9AA