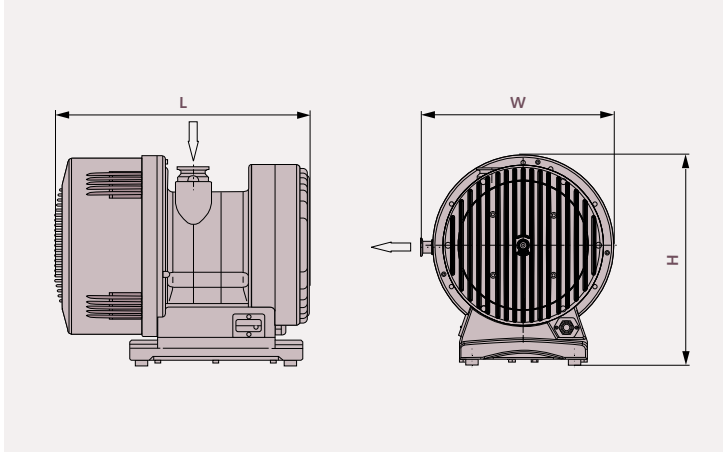


Fossa

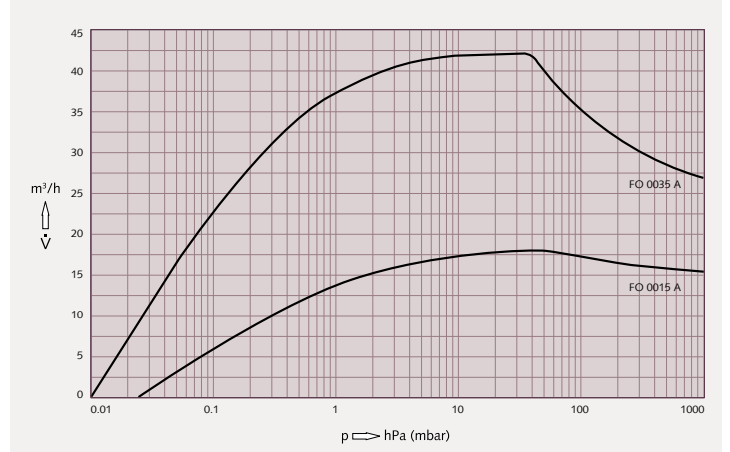
Scroll Vacuum Pumps
FO 0015/0035 A



Fossa 0015/0035 A



Pumping speed Air at 70 °F. Tolerance: ± 10%



| Technical data | | | FO 0015 A | FO 0035 A |
|--------------------------------|--------------------------|----------------------------|------------------------|-----------|
| Pumping speed | | m ³ /h | 18 | 42 |
| Pumping speed | | l/min | 300 | 700 |
| Ultimate total pressure | Gas-ballast valve closed | hPa (mbar) | 0.025 | 0.01* |
| Ultimate total pressure | Gas-ballast valve open | hPa (mbar) | 0.09 | |
| Max. continuous inlet pressure | | hPa (mbar) | 1000 | 100 |
| Max. back pressure | | hPa (mbar) rel. | 500 | 200 |
| Water vapor capacity | Gas-ballast valve open | g/h | 300 | 400 |
| Leak rate, helium | | mbar · L · s ⁻¹ | < 1 · 10 ⁻⁶ | |

| Motor data | | | FO 0015 A | FO 0035 A |
|----------------------|----------------|----|-------------------|-----------|
| Nominal motor rating | | kW | 0.4 | 0.75 |
| Operating voltage | Single-phase** | V | 100–240 | |
| Operating voltage | Three-phase | V | 200–240 / 380–480 | |

| Physical data | | | FO 0015 A | FO 0035 A |
|--|--------------|----------------------|------------------------|-----------------|
| Ambient temperature | | °F | 40–100 | |
| Vibration level at inlet (ISO 10816-1) | | mm · s ⁻¹ | Class 1B, < 1.5 mm/sec | |
| Sound level (ISO 2151) | Idle speed** | dB(A) | 42 | 43 |
| | Max. | dB(A) | 59 | 60 |
| Approximate weight | | kg | 48 | 50 |
| Dimensions (L x W x H) | | mm | 450 x 338 x 369 | 462 x 338 x 369 |
| Gas inlet / outlet | | | KF 40 / KF 16 | |

| Applicable standards | | | FO 0015 A | FO 0035 A |
|------------------------|--|--|--------------------------------------|-----------|
| Emissions and immunity | | | EN 61236-1:2013 as a Class A device | |
| Safety | | | EN/IEC 61010 third edition certified | |

All performance data is based on ambient conditions of 14.7 PSIA and 70 °F, and has a tolerance of ± 10%.
* 0.025 guaranteed when new from factory **frequency converter driven version only

Busch LLC

516 Viking Drive | Virginia Beach, VA 23452 | Phone 757-463-7800 | info@buschusa.com | www.buschusa.com

Argentina Australia Austria Bangladesh Belgium Brazil Canada Chile China Colombia Czech Republic Denmark Finland France Germany Hungary India Ireland Israel Italy Japan Korea Malaysia Mexico Netherlands New Zealand Norway Peru Poland Portugal Romania Russia Singapore South Africa Spain Sweden Switzerland Taiwan Thailand Turkey United Arab Emirates United Kingdom USA

Technical data is subject to change. Created in Germany. MG PL FOSSA00150035A USen07/2018 8Ba

Fossa

Scroll Vacuum Pumps
FO 0015/0035 A



| Article Numbers, Genuine Accessories and Spare Parts | FO 0015 A | FO 0035 A |
|---|------------|------------|
| Inverter driven single-phase version, automatic protection | | |
| 100–240 V | 1271203264 | 1271203265 |
| Three-phase motor version, no motor protection | | |
| 200–240 / 380–480 V | 1271557872 | 1271564068 |
| Inlet accessories¹ | | |
| Inlet filter FIL 0080 | 0530566434 | |
| Spare polyester filter element for FIL 0080 | 0532121862 | |
| Special purpose filter element for FIL 0080 | on request | |
| Outlet accessories² | | |
| Exhaust filter and silencer | 0562566435 | |
| Spare filter element | 0532566436 | |
| Other accessories | | |
| Wheels | 0999569268 | |
| Purge kit | 0916566457 | |
| Gas-ballast valve | 0540559847 | |
| Maintenance kits | | |
| Tip seal replacement kit | 0992205441 | 0992205442 |
| Single-phase cord sets | | |
| NEMA 5/15, 2 meters | 0659930583 | |
| NEMA 6/15, 2 meters | 0659930582 | |

¹ All filters include housing, polyester filter element and mounting hardware
² The exhaust filter includes housing and filter element

Busch LLC

516 Viking Drive | Virginia Beach, VA 23452 | Phone 757-463-7800 | info@buschusa.com | www.buschusa.com

Argentina Australia Austria Bangladesh Belgium Brazil Canada Chile China Colombia Czech Republic Denmark Finland France Germany Hungary India Ireland Israel Italy Japan Korea Malaysia Mexico Netherlands New Zealand Norway Peru Poland Portugal Romania Russia Singapore South Africa Spain Sweden Switzerland Taiwan Thailand Turkey United Arab Emirates United Kingdom USA

Technical data is subject to change. Created in Germany. MG PL FOSSA00150035A USenus 07/2018 8Ba