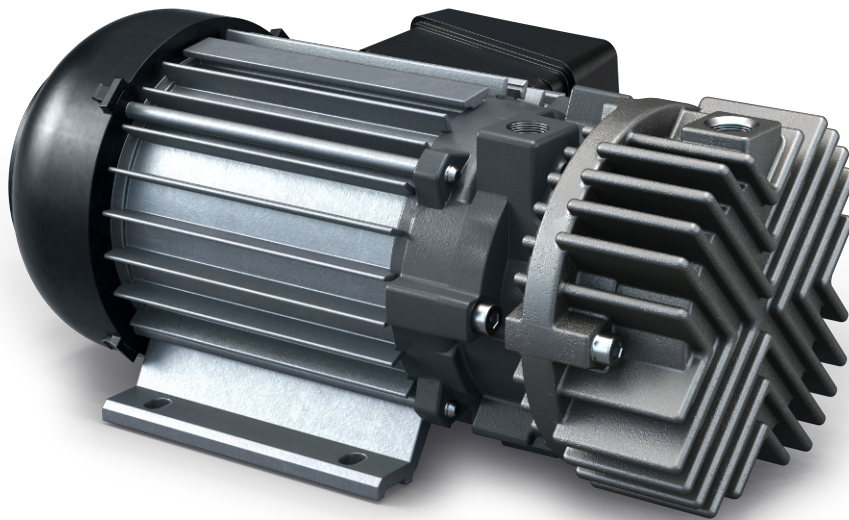


SECO SV 1003/1005 D

Dry-running rotary vane vacuum pumps



VACUUM SOLUTIONS



Compact

Direct-drive construction

Reliable

Robust construction, proven performance, self-lubricating vanes, no operating fluids

High performance

High uptime, high performance vanes

Accessories

- Inlet filter
- Vacuum regulating unit
- Non-return valve (inlet)
- Hose nipple

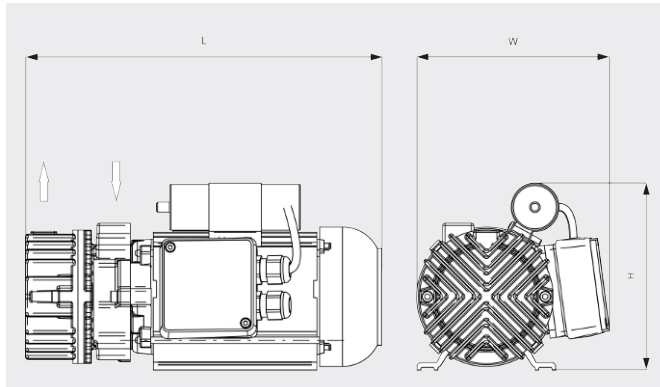
SECO SV 1003/1005 D

Dry-running rotary vane vacuum pumps



VACUUM SOLUTIONS

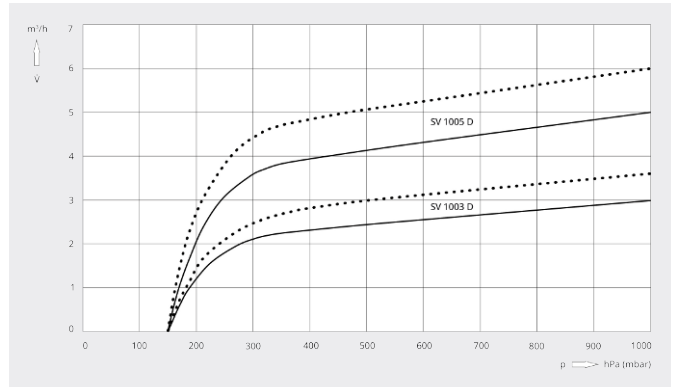
Dimensional drawing



Pumping speed

Air at 20°C. Tolerance: ± 10%

— 50 Hz 60 Hz



	SECO SV 1003 D	SECO SV 1005 D
Nominal pumping speed	3.0 / 3.6 m³/h (50 / 60 Hz)	5.0 / 6.0 m³/h (50 / 60 Hz)
Ultimate pressure	150 hPa (mbar) (50 / 60 Hz)	150 hPa (mbar) (50 / 60 Hz)
Nominal motor rating	0.1 / 0.12 kW (50 / 60 Hz)	0.14 / 0.16 kW (50 / 60 Hz)
Nominal motor speed	3000 / 3600 min ⁻¹ (50 / 60 Hz)	3000 / 3600 min ⁻¹ (50 / 60 Hz)
Noise level (ISO 2151)	59 / 63 dB(A) (50 / 60 Hz)	68 / 72 dB(A) (50 / 60 Hz)
Operating temperature	41 / 42 °C (50 / 60 Hz)	56 / 57 °C (50 / 60 Hz)
Weight approx.	5.2 kg	6.0 kg
Dimensions (L x W x H)	239 x 144 x 142 mm	272 x 147 x 143 mm
Gas inlet / outlet	G ¼" / G ¼"	G ¼" / G ¼"

DO YOU WANT TO KNOW MORE?

Get in touch with us directly!



CONTACT FORM