

# R5 RE 0040/0063 C

Oil-lubricated rotary vane vacuum pumps



VACUUM SOLUTIONS



## Explosion-proof

ATEX-certified to directive 2014/34/EU: II 1/2G Ex h IIB3 T4 Ga/Gb, specially designed to extract explosion endangered gas/air and vapor/air mixtures, suitable for the extraction of almost all substances in the IIB3 explosion group as well as petrol vapor

## Reliable

Robust construction, highly durable fiber-reinforced epoxy resin vanes, proven rotary vane technology, long service life

## Flexible

Various design options available, easy adaption to individual customer requirements and processes, level and temperature switch as standard

Accessories, spare parts and options

- Gas-ballast valve
- Oil level switch
- Anti-corrosion coating on the oil separator
- T4 motor and transmitter (temperature class T4 outside the vacuum pump)

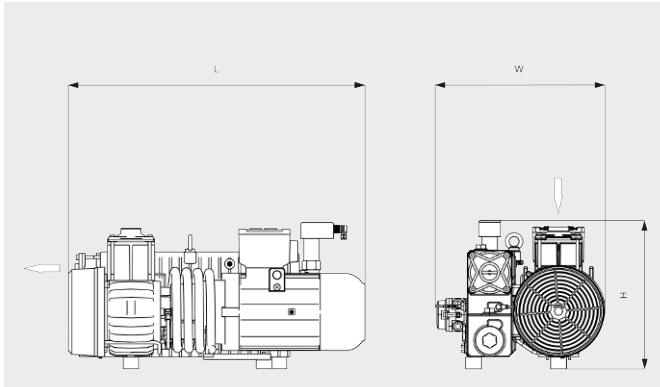
# R5 RE 0040/0063 C

Oil-lubricated rotary vane vacuum pumps



VACUUM SOLUTIONS

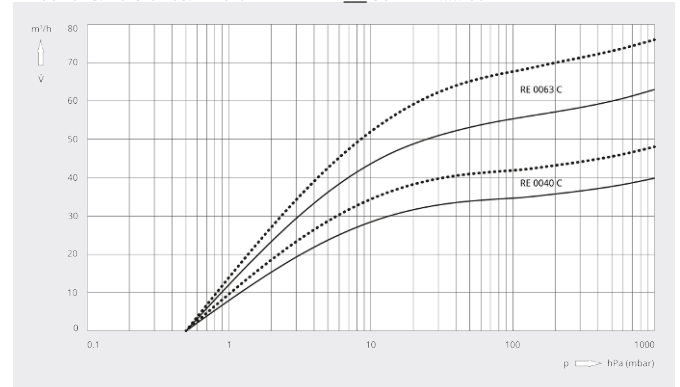
Dimensional drawing



Pumping speed

Air at 20°C. Tolerance: ± 10%

— 50 Hz ..... 60 Hz



|                        | R5 RE 0040 C                               | R5 RE 0063 C                               |
|------------------------|--|--|
| Nominal pumping speed  | 40 / 48 m <sup>3</sup> /h (50 / 60 Hz)     | 63 / 76 m <sup>3</sup> /h (50 / 60 Hz)     |
| Ultimate pressure      | 0.5 hPa (mbar) (50 / 60 Hz)                | 0.5 hPa (mbar) (50 / 60 Hz)                |
| Nominal motor rating   | 1.5 / 2.2 kW (50 / 60 Hz)                  | 2.2 kW (50 / 60 Hz)                        |
| Nominal motor speed    | 1500 / 1800 min <sup>-1</sup> (50 / 60 Hz) | 1500 / 1800 min <sup>-1</sup> (50 / 60 Hz) |
| Noise level (ISO 2151) | 63 / 66 dB(A) (50 / 60 Hz)                 | 65 / 68 dB(A) (50 / 60 Hz)                 |
| Oil capacity           | 2 l  | 2 l  |
| Weight approx.         | 100 kg                                     | 100 kg                                     |
| Dimensions (L x W x H) | 695 x 420 x 372 mm                         | 752 x 420 x 372 mm                         |
| Gas inlet / outlet     | G 1¼" / G 1¼"                              | G 1¼" / G 1¼"                              |

DO YOU WANT TO KNOW MORE?

Get in touch with us directly!



CONTACT FORM