

# COBRA

Dry Screw Vacuum Pumps  
NC 0100 B, NC 0200 B, NC 0300 B  
Water-Cooled Version (WCV)

## Instruction Manual



# Table of Contents

<b>1</b>	<b>Safety</b> .....	<b>4</b>
<b>2</b>	<b>Product Description</b> .....	<b>5</b>
2.1	Operating Principle .....	6
2.2	Intended Use .....	7
2.3	Start Controls.....	7
2.4	Water Cooling Variants.....	7
2.4.1	Direct Cooling .....	7
2.4.2	Plate Heat Exchanger (Optional) .....	7
2.5	Standard Features.....	8
2.5.1	Temperature Switch .....	8
2.5.2	Thermometer .....	8
2.5.3	Sealing Systems .....	8
2.6	Optional Accessories.....	8
2.6.1	Gas Ballast Valve.....	8
2.6.2	Silencer .....	9
2.6.3	Barrier Gas System.....	9
2.6.4	Mechanical Seals .....	9
2.6.5	Nitrogen Panel .....	9
2.6.6	Pressure Switch (Barrier Gas) .....	9
<b>3</b>	<b>Transport</b> .....	<b>10</b>
<b>4</b>	<b>Storage</b> .....	<b>11</b>
<b>5</b>	<b>Installation</b> .....	<b>12</b>
5.1	Installation Conditions .....	12
5.2	Connecting Lines / Pipes .....	13
5.2.1	Suction Connection .....	13
5.2.2	Discharge Connection.....	14
5.2.3	Cooling Water Connection .....	15
5.2.4	Barrier Gas System Connection (Optional).....	17
5.2.5	Dilution Gas System Connection (Optional).....	18
5.2.6	Purge Gas System Connection (Optional) .....	19
5.3	Filling Oil.....	20
5.4	Filling Cooling Liquid .....	22
5.5	Liquid Flushing Device Installation (Optional).....	23
5.6	Fitting the Coupling .....	24
<b>6</b>	<b>Electrical Connection</b> .....	<b>25</b>
6.1	Machine delivered without Variable Speed Drive .....	25
6.2	Machine delivered with a Variable Speed Drive (Option).....	26
6.3	Wiring Diagram Three-Phase Motor (Pump Drive).....	27
6.4	Wiring Diagram Solenoid Valve (Optional) .....	29
6.5	Electrical Connection of the Monitoring Devices .....	30
6.5.1	Wiring Diagram Temperature Switch .....	30
6.5.2	Wiring Diagram Flow Switch (Optional).....	30
6.5.3	Wiring Diagram Pressure Switch (Optional) .....	31
6.5.4	Wiring Diagram Level Switch (Optional).....	31
<b>7</b>	<b>Commissioning</b> .....	<b>32</b>
7.1	Conveying Condensable Vapors.....	33
7.2	Liquid Flushing Procedure .....	33
7.3	Gas Purging Procedure .....	34
<b>8</b>	<b>Maintenance</b> .....	<b>35</b>

---

8.1	Maintenance Schedule .....	36
8.2	Oil Level Inspection.....	37
8.3	Cooling Liquid Level Inspection .....	37
8.4	Oil Change.....	38
8.5	Cooling Liquid Change .....	41
<b>9</b>	<b>Overhaul .....</b>	<b>42</b>
<b>10</b>	<b>Decommissioning.....</b>	<b>43</b>
10.1	Dismantling and Disposal .....	43
<b>11</b>	<b>Spare Parts .....</b>	<b>44</b>
<b>12</b>	<b>Troubleshooting .....</b>	<b>45</b>
<b>13</b>	<b>Technical Data .....</b>	<b>47</b>
<b>14</b>	<b>Cooling Liquid .....</b>	<b>48</b>
<b>15</b>	<b>Oil .....</b>	<b>49</b>
<b>16</b>	<b>EU Declaration of Conformity .....</b>	<b>50</b>
<b>17</b>	<b>UK Declaration of Conformity.....</b>	<b>51</b>

# 1 Safety

Prior to handling the machine, this instruction manual should be read and understood. If anything needs to be clarified, please contact your Busch representative.

Read this manual carefully before use and keep for future reference.

This instruction manual remains valid as long as the customer does not change anything on the product.

The machine is intended for industrial use. It must be handled only by technically trained personnel.

Always wear appropriate personal protective equipment in accordance with the local regulations.

The machine has been designed and manufactured in accordance with the state-of-the-art methods. Nevertheless, residual risks may remain, as described in the following chapters and in accordance with the chapter *Intended Use* [→ 7].

This instruction manual highlights potential hazards where appropriate. Safety notes and warning messages are tagged with one of the keywords DANGER, WARNING, CAUTION, NOTICE and NOTE as follows:



## DANGER

... indicates an imminent dangerous situation that will result in death or serious injuries if not prevented.



## WARNING

... indicates a potentially dangerous situation that could result in death or serious injuries.



## CAUTION

... indicates a potentially dangerous situation that could result in minor injuries.



## NOTICE

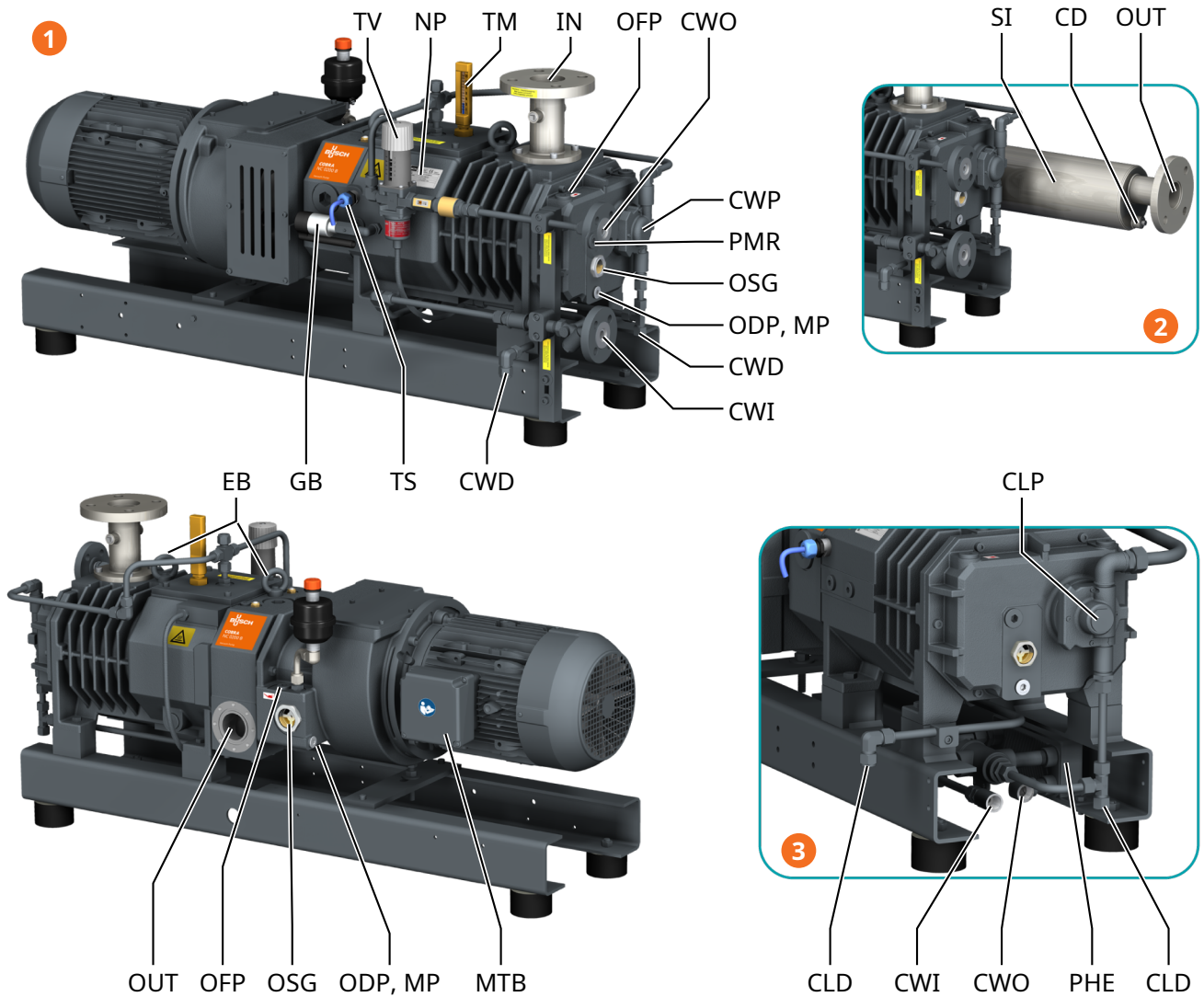
... indicates a potentially dangerous situation that could result in damage to property.



## NOTE

... indicates helpful tips and recommendations, as well as information for efficient and trouble-free operation.

## 2 Product Description



Description			
1	NC 0200 B with direct cooling	2	NC 0200 B with silencer
3	NC 0100 B with plate heat exchanger		

Description			
IN	Suction connection (Inlet)	OUT	Discharge connection (Outlet)
CD	Condensate drain	CLD	Cooling liquid drain plug
CLP	Cooling liquid pump	CWD	Cooling water drain plug
CWI	Cooling water inlet	CWO	Cooling water outlet
CWP	Cooling water pump	EB	Eye bolt
GB	Gas ballast valve	MP	Magnetic plug
MTB	Motor terminal box	NP	Nameplate
ODP	Oil drain plug	OFF	Oil fill plug
OSG	Oil sight glass	PHE	Plate heat exchanger (see <i>Plate Heat Exchanger (Optional)</i> [→ 7])
PMR	Plug for manual rotation of rotors	SI	Silencer
TM	Thermometer	TS	Temperature switch
TV	Thermostatic valve		

## NOTE

**Technical term.**

In this instruction manual, we consider that the term 'machine' refers to the 'vacuum pump'.

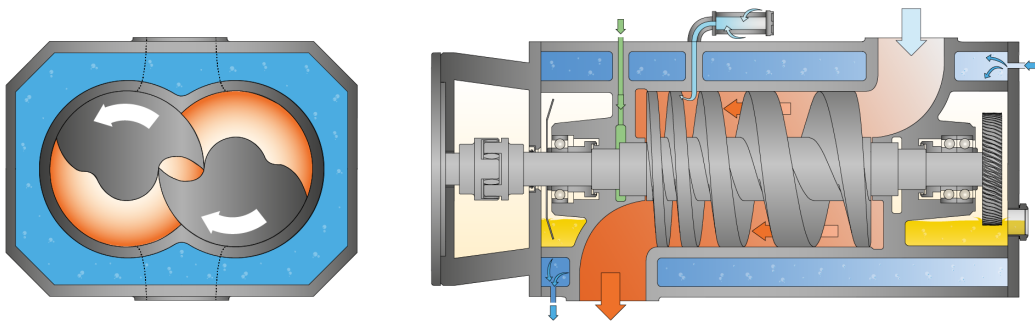
## NOTE

**Illustrations.**

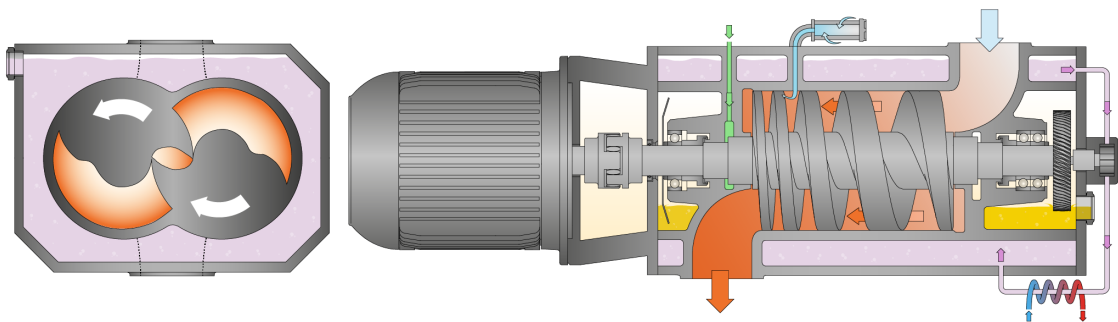
In this instruction manual, the illustrations may differ from the appearance of the machine.

## 2.1 Operating Principle

### Water-cooled version with direct cooling



### Water-cooled version with plate heat exchanger (optional)



The machine works on the one-stage, twin-screw pump principle.

Two screw rotors rotate inside the cylinder. The pumped medium is trapped between the cylinder and screw chambers, compressed, and transported to the gas outlet. During the compression process, the two screw rotors do not come into contact with each other or with the cylinder. There is no need for a lubrication or an operating fluid in the compression chamber.

## 2.2 Intended Use



### WARNING

**In case of foreseeable misuse outside the intended use of the machine.**

**Risk of injuries!**

**Risk of damage to the machine!**

**Risk of damage to the environment!**

- Make sure to follow all instructions described in this manual.

The machine is intended for the suction of air and other dry, non-aggressive, non-toxic, non-ignitable and non-explosive gases.

Conveying of other media leads to an increased thermal and/or mechanical load on the machine and is permissible only after a consultation with Busch.

The machine is intended for the placement in a non-potentially explosive environment.

The machine is capable of maintaining ultimate pressure, see Technical Data.

The machine is suitable for continuous operation.

Permitted environmental conditions, see Technical Data.

## 2.3 Start Controls

The machine comes without start controls. The control of the machine is to be provided in the course of installation.

The machine can be equipped with a variable speed drive (option).

## 2.4 Water Cooling Variants

### 2.4.1 Direct Cooling

The machine is cooled by a cooling water circuit in the cylinder cover and cylinder.

The cooling water pump (CWP) allows a recirculating flow in the cooling water chamber.

The thermostatic valve (TV) allows a temperature regulation of the machine by regulating the cooling water flow.

The adjustment of thermostatic valve from position 1 (cool position) to the position 5 (hot position) alters the cooling water temperature and must correspond to the application requirements.



### NOTE

**Busch recommendations for the thermostatic valve adjustment:**

- The position 1 (cold position) is mainly intended for applications with a risk of polymerization.
- The position 5 (hot position) is mainly intended for applications with a risk of condensation .

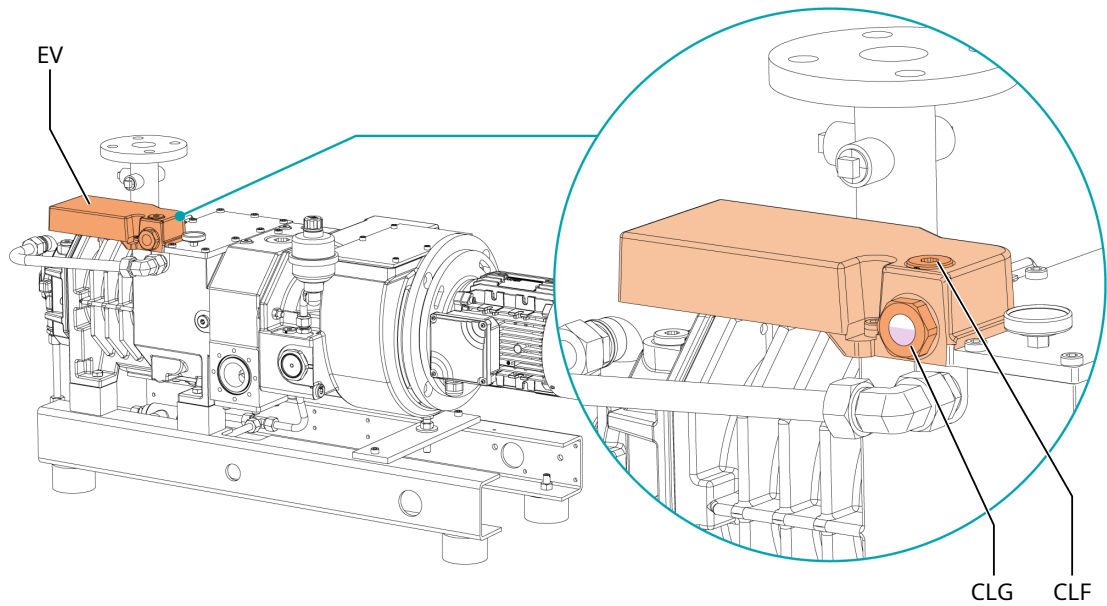
### 2.4.2 Plate Heat Exchanger (Optional)

The machine is cooled by a cooling liquid circuit in the cylinder cover and cylinder.

The cooling liquid is cooled by a plate heat exchanger (PHE) which must be connected to the water main.

The cooling liquid pump (CLP) allows a recirculating flow in the cooling liquid chamber.

In addition to the plate heat exchanger (PHE), the machine is equipped with an expansion vessel (EV), as shown below:



Description			
EV	Expansion vessel	CLF	Cooling liquid fill plug
CLG	Cooling liquid sight glass		

## 2.5 Standard Features

### 2.5.1 Temperature Switch

The temperature switch monitors the operating temperature of the machine. The machine must be stopped when the temperature switch trips (106 °C).

### 2.5.2 Thermometer

The thermometer allows a visual display of the cooling water temperature in the cooling water chamber.

### 2.5.3 Sealing Systems

The machine is equipped with labyrinth seals on the suction side and with PTFE shaft seals on the motor side.

Other sealing systems are optionally available, see *Mechanical Seals* [→ 9].

Sealing systems prevent the process gas going to the bearings chambers.

Depending on the application, the sealing systems efficiency can be improved with a barrier gas system, see *Barrier Gas System* [→ 9].

## 2.6 Optional Accessories

### 2.6.1 Gas Ballast Valve

The gas ballast valve mixes the process gas with a limited quantity of ambient air to counteract the condensation of vapor inside the machine.

The gas ballast valve has an influence on the ultimate pressure of the machine, see Technical Data.



## 2.6.2 Silencer

A silencer at the discharge connection (OUT) can be provided to reduce the exhaust gas noise.

A non-return flap can be optionally added to the silencer.

## 2.6.3 Barrier Gas System

The barrier gas system allows the supply of compressed air or nitrogen into the motor side shaft seals to improve the sealing efficiency.

## 2.6.4 Mechanical Seals

The sealing systems can be equipped with mechanical seals. The following variants are possible:

- Oil lubricated single mechanical seals on the motor side and labyrinth seals on the suction side.
- Oil lubricated single mechanical seals on the motor side and suction side.
- Gas lubricated double mechanical seals on the motor side and oil lubricated single mechanical seals on suction side.

## 2.6.5 Nitrogen Panel

The nitrogen panel fitted to the base frame allows the supply of nitrogen to a number of different points on the machine.

Each device consists of a pressure regulator and a flow meter to adjust pressure and volume flow separately.

The following devices are available:

- The barrier gas system for sealing systems on motor side. This device is equipped with a flow switch integrated to the flow meter to switch off the machine if the nitrogen volume flow drops below the minimum set flow value.
- The dilution gas ballast prevents the formation of condensates or dilutes them, depending on the application. The nitrogen is fed into the cylinder.
- The purge gas system fitted at the inlet flange allows to flush the machine after use or during operation. The nitrogen is fed into the inlet flange.

## 2.6.6 Pressure Switch (Barrier Gas)

The pressure switch monitors the barrier gas pressure. It is only available if the machine has been equipped with gas lubricated double mechanical seals.

The machine must be stopped if the barrier gas pressure is below 2.5 bar, see *Wiring Diagram Pressure Switch (Optional)* [→ 31].

## 3 Transport



### WARNING

**Suspended load.**

**Risk of severe injury!**

- Do not walk, stand, or work under suspended loads.



### WARNING

**Lifting the machine using the motor eye bolt.**

**Risk of severe injury!**

- Do not lift the machine using the eye bolt fitted to the motor. Only lift the machine as shown.

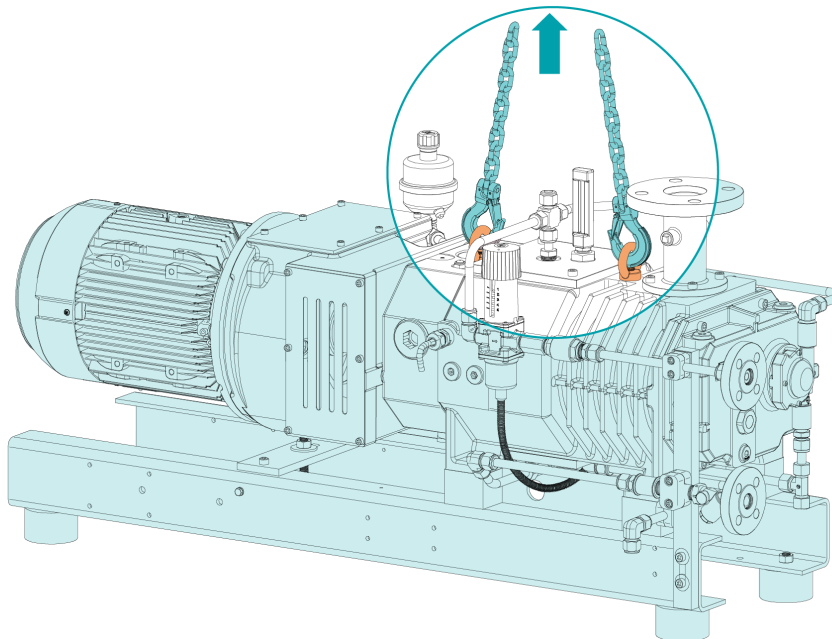


### NOTICE

**In case the machine is already filled with oil.**

**Tilting a machine that is already filled with oil can cause large quantities of oil to ingress into the cylinder.**

- Drain the oil prior to every transport or always horizontally transport the machine.
- To find out the weight of the machine, refer to the chapter Technical Data or the nameplate (NP).
- Make sure that the eye bolt(s) (EB) is/are in faultless condition, fully screwed in and tightened by hand.



- Check the machine for transport damage.

If the machine is secured to a base plate:

- Remove the machine from the base plate.

## 4 Storage

- Seal hermetically all apertures with the caps provided with the machine, or with adhesive tape if the caps are no longer available.
- Store the machine indoors, in a dry place, away from dust and vibrations and if possible, in original packaging, preferably at temperatures between 5 ... 55 °C.

If the machine is to be stored for more than 3 months:

- Seal hermetically all apertures with the caps provided with the machine, or with adhesive tape if the caps are no longer available.
- Wrap the machine in a corrosion inhibitor film.
- Store the machine indoors, in a dry place, away from dust and vibrations and if possible, in original packaging, preferably at temperatures between 5 ... 55 °C.



### NOTICE

**Long storage time.**

**Risk of damage to the machine!**

- If the machine is equipped with oil lubricated mechanical seals, we recommend to completely fill the oil chamber before a long storage, see "Oil filling" in chapter *Oil Change* [→ 38]. This protects the mechanical seals during a long storage. Use the standard pump oil, see chapter *Oil* [→ 49].
- Before restarting the machine, drain the oil to the normal oil level, see "Oil draining" in chapter *Oil Change* [→ 38].

## 5 Installation

### 5.1 Installation Conditions



#### WARNING

If the machine is installed in a potentially explosive environment or if the machine is used to draw toxic, inflammable or non-inert gases:

**Risk of injuries!**

**Risk of death!**

- Ensure that the machine complies with all local, national rules and safety regulations.



#### NOTICE

**Use of the machine outside of the permitted installation conditions.**

**Risk of premature failure!**

**Loss of efficiency!**

- Make sure that the installation conditions are fully respected.
- Make sure that the environment of the machine is not potentially explosive.
- Make sure that the ambient conditions comply with the Technical Data.
- Make sure that the environmental conditions comply with the protection class of the motor and the electrical elements.
- Make sure that the installation space or location is vented such that sufficient cooling of the machine is provided.
- Make sure that cooling air inlets and outlets of the motor fan are not covered or obstructed and that the cooling air flow is not affected adversely in any other way.
- Make sure that the oil sight glass (OSG) remains easily visible.
- Make sure that enough space remains for maintenance work.
- Make sure that the machine is placed or mounted horizontally, a maximum deviation of 1° in any direction is acceptable.
- Check the oil level, see *Oil Level Inspection* [→ 37].

If the machine is equipped with a plate heat exchanger (PHE):

- Check the cooling liquid level, see *Cooling Liquid Level Inspection* [→ 37].
- Make sure that the cooling water complies with the requirements, see *Cooling Water Connection* [→ 15].

If the machine is installed at an altitude greater than 1000 meters above sea level:

- Contact your Busch representative, the motor must be derated or the ambient temperature limited.

## 5.2 Connecting Lines / Pipes

- Remove all protective covers before installation.
- Make sure that the connection lines cause no stress on the connections of the machine. Therefore, we recommend installing flexible lines on the suction and discharge connections.
- Make sure that the diameter of the connection lines over the entire length is at least as large as the connections of the machine.

In case of long connection lines:

- Use larger diameters to avoid a loss of efficiency.
- Contact your Busch representative for more information.

### 5.2.1 Suction Connection



#### WARNING

**Unprotected suction connection.**

**Risk of severe injury!**

- Do not put hand or fingers in the suction connection.



#### NOTICE

**Ingress of foreign objects or liquids.**

**Risk of damage to the machine !**

If the inlet gas contains dust or other foreign solid particles:

- Install a suitable filter (5 micron or less) upstream from the machine.

Connection size(s):

- DN40 PN16, EN 1092-1 for NC 0100 B
- DN50 PN16, EN 1092-1 for NC 0200 B and NC 0300 B

If the machine is used as part of a vacuum system:

- Busch recommends the installation of an isolation valve in order to prevent the machine from turning backwards.
- Make sure that the connection lines cause no stress on the connections of the machine. Therefore, we recommend installing flexible lines on the suction and discharge connections.

## 5.2.2 Discharge Connection



### NOTICE

**Discharge gas flow obstructed.**

**Risk of damage to the machine!**

- Make sure that the discharged gas will flow without obstruction. Do not shut off or throttle the discharge line or use it as a pressurized air source.

Connection size(s):

At the machine discharge connection:

- Ø85 / 8 x M8

At the extra flange discharge connection (Optional):

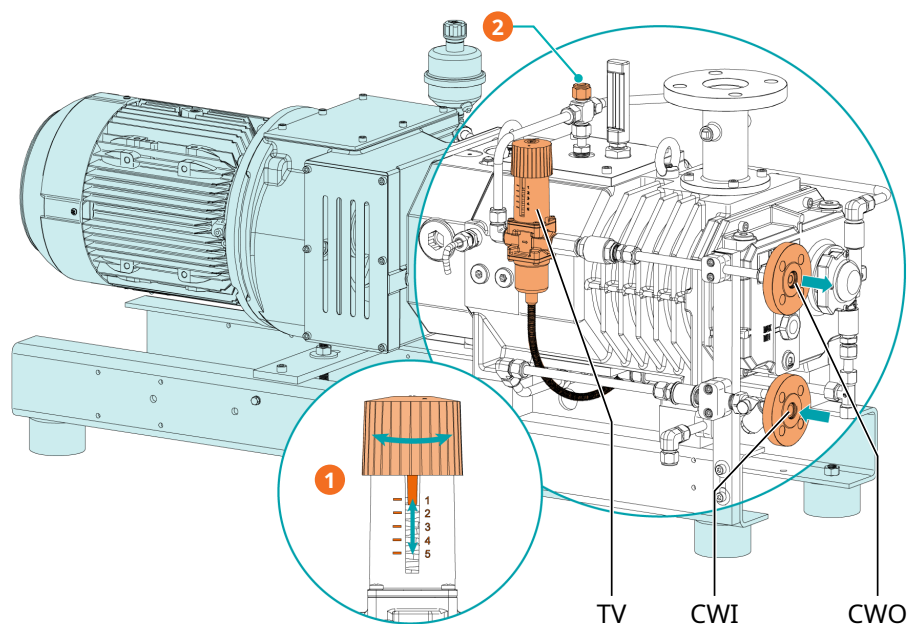
- DN40 PN16, EN 1092-1 for NC 0100 B
- DN50 PN16, EN 1092-1 for NC 0200 B and NC 0300 B

At the silencer (SI) discharge connection (Optional):

- DN40 PN16, EN 1092-1 for NC 0100 B
- DN50 PN16, EN 1092-1 for NC 0200 B and NC 0300 B
- Make sure that the connection lines cause no stress on the connections of the machine. Therefore, we recommend installing flexible lines on the suction and discharge connections.
- Make sure that the counter pressure (also called "back pressure") at the discharge connection (OUT) does not exceed the maximum allowable discharge pressure, see Technical Data.

## 5.2.3 Cooling Water Connection

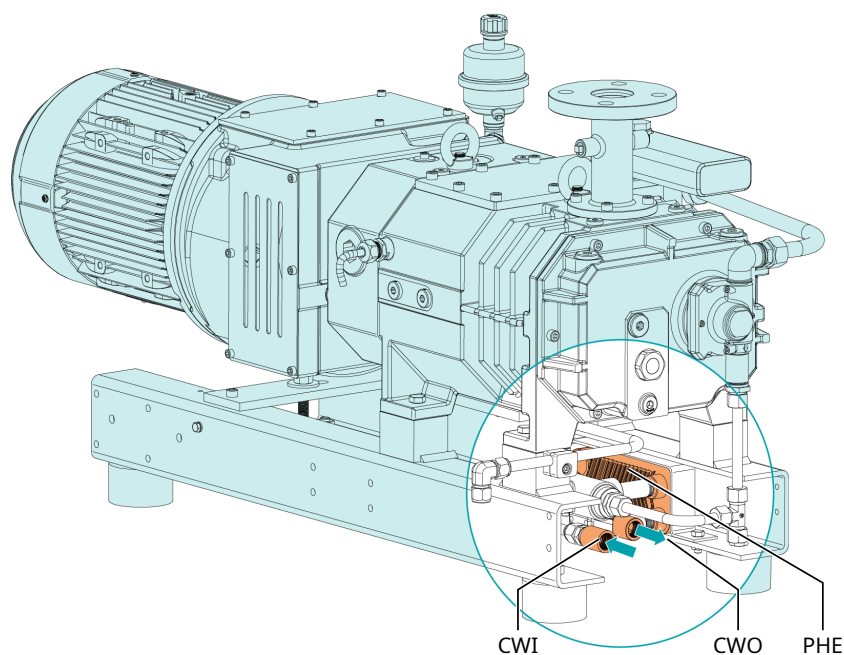
### Water-cooled version with direct cooling



Description			
1	Thermostatic valve adjustment	2	Vent plug to evacuate air from the cooling circuit (see instructions below)

Description			
CWI	Cooling water inlet	CWO	Cooling water outlet
TV	Thermostatic valve		

### Water-cooled version with plate heat exchanger (optional)



Description			
CWI	Cooling water inlet	CWO	Cooling water outlet
PHE	Plate heat exchanger		

- Connect the cooling water connections (CWI / CWO) to the water supply.

Connection size:

- DN15 PN10, DIN 2566 (CWI / CWO) with direct cooling
- G ½", ISO 228-1 (CWI / CWO) with plate heat exchanger
- Make sure that the cooling water complies with the following requirements:

Supply capacity	l/min	2 ... 4
Water pressure	bar (g)	3 ... 6 (direct cooling) / 1 ... 6 (plate heat exchanger)
Supply temperature	°C	+10 ... +25
Required pressure differential across supply and return	bar (g)	≥ 3 (direct cooling) / > 0.5 (plate heat exchanger)

- To reduce the maintenance effort and ensure a long product lifetime, we recommend the following cooling water quality:

Hardness	mg/l (ppm)	< 90
Properties	Clean & clear	
PH value	7 ... 8	
Particle size	µm	< 200
Chloride	mg/l	< 100
Electrical conductivity	µS/cm	≤ 100
Free chloride	mg/l	< 0.3
Materials in contact with the cooling water	Stainless steel, copper and cast iron	



## NOTE

**Water hardness unit conversion.**

**1 mg/l (ppm) = 0.056 °dh (german degree) = 0.07 °e (english degree) = 0.1 °fH (french degree)**

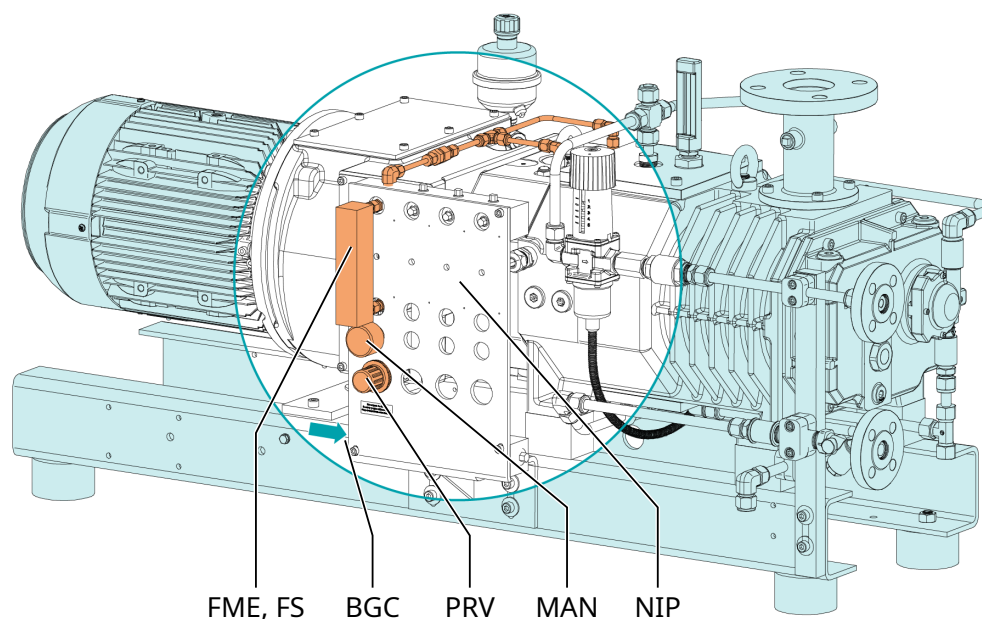
### To evacuate air from the cooling circuit

- Make sure the instructions described above have been followed.
- Open (unscrew) the vent plug (see first illustration above).
- Open the water supply and fill the cooling circuit.
- Wait for cooling water to drain normally through the vent plug.
- Close the vent plug.



## 5.2.4 Barrier Gas System Connection (Optional)

### With nitrogen panel



#### Description

BGC	Barrier gas connection	FME	Flow meter
FS	Flow switch	MAN	Manometer
NIP	Nitrogen panel	PRV	Pressure regulating valve

- Connect the barrier gas connection (BGC) to the gas supply.

Connection size:

- G1/4", ISO 228-1

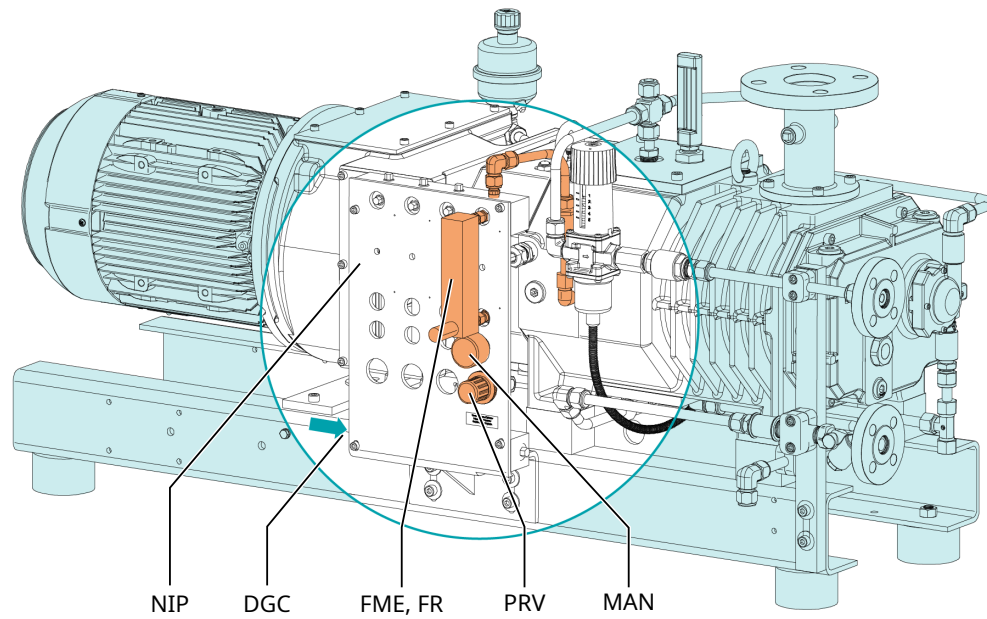
- Electrically connect the flow switch (FS) of the flow meter, see *Wiring Diagram Flow Switch* [→ 30].

If a pressure switch is installed:

- Electrically connect the pressure switch, see *Wiring Diagram Pressure Switch (Optional)* [→ 31].
- Make sure that the gas complies with the following requirements:

Gas type	Dry nitrogen or air	
Gas temperature	°C	0 ... 60
Maximum gas pressure	bar (g)	13
Recommended pressure setting at the pressure regulating valve (PRV)	bar (g)	3
Filtration	µm	5
Recommended flow rate for labyrinth seals, oil lubricated single mechanical seals and PTFE shaft seals	SLM (standard liter per minute)	2.5 ... 3
Recommended flow rate for gas lubricated double mechanical seals	SLM (standard liter per minute)	≤1
Air quality (only for air)	Acc. to ISO 8573-1	Class 5.4.4.

## 5.2.5 Dilution Gas System Connection (Optional)



### Description

DGC	Dilution gas connection	FME	Flow meter
FR	Flow regulator	MAN	Manometer
NIP	Nitrogen panel	PRV	Pressure regulating valve

- Connect the dilution gas connection (DGC) to the gas supply.

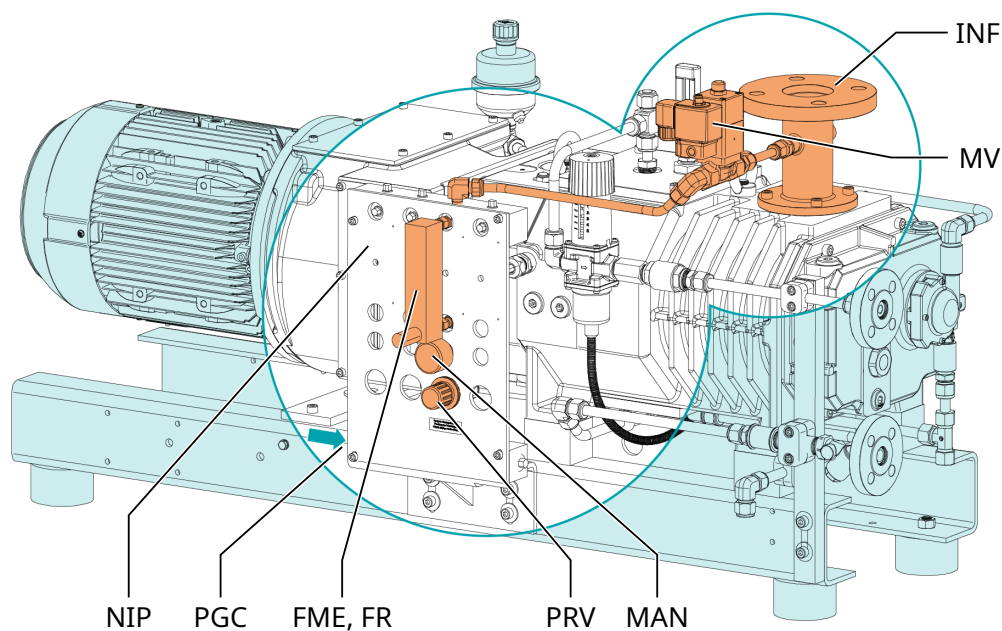
Connection size:

- G1/4", ISO 228-1

- Electrically connect the solenoid valve (MV), see *Wiring Diagram Solenoid Valve* [→ 29].
- Make sure that the gas complies with the following requirements:

Gas type	Dry nitrogen	
Gas temperature	°C	0 ... 60
Maximum gas pressure	bar (g)	13
Recommended pressure setting at the pressure regulating valve (PRV)	bar (g)	0.5
Filtration	µm	5
Recommended flow rate	SLM (standard liter per minute)	20

## 5.2.6 Purge Gas System Connection (Optional)



### Description

PGC	Purge gas connection	FME	Flow meter
FR	Flow regulator	INF	Inlet flange
MAN	Manometer	MV	Solenoid valve
NIP	Nitrogen panel	PRV	Pressure regulating valve

- Connect the purge gas connection to the gas supply.

Connection size:

- G1/4", ISO 228-1

- Electrically connect the solenoid valve (MV), see *Wiring Diagram Solenoid Valve* [→ 29].
- Make sure that the gas complies with the following requirements:

Gas type	Dry nitrogen	
Gas temperature	°C	0 ... 60
Maximum gas pressure	bar (g)	13
Recommended pressure setting at the pressure regulating valve (PRV)	bar (g)	0.5
Filtration	µm	5
Recommended flow rate	SLM (standard liter per minute)	≥ 40 for NC 0100-0200 B ≥ 50 for NC 0300 B

## 5.3 Filling Oil

### ! NOTICE

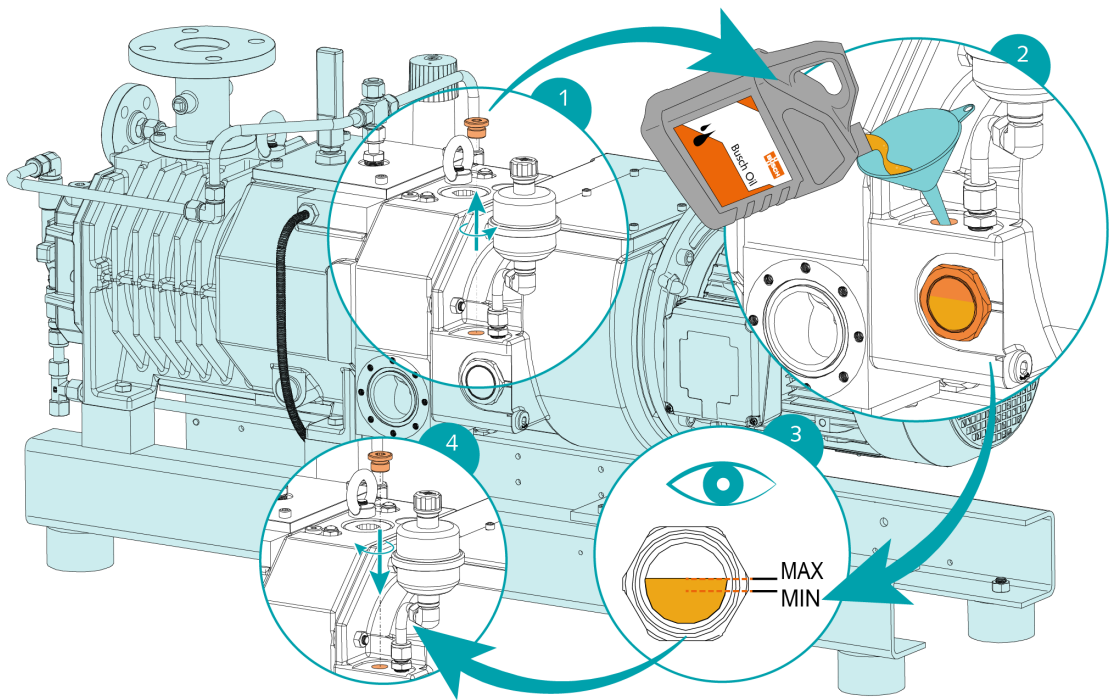
**Use of an inappropriate oil.**

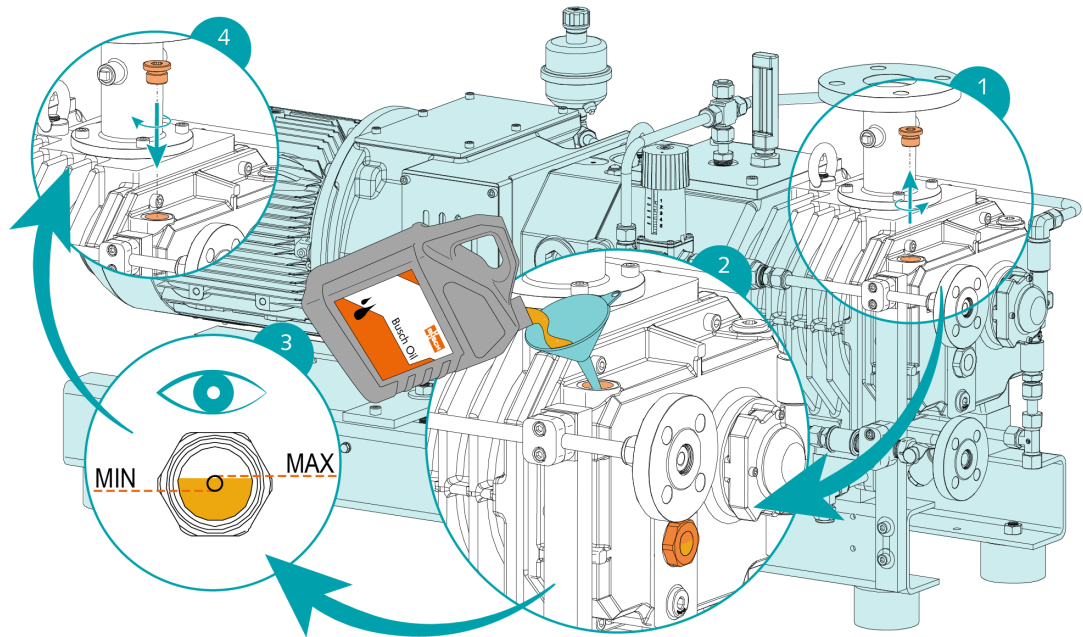
**Risk of premature failure!**

**Loss of efficiency!**

- Only use an oil type which has previously been approved and recommended by Busch.

For oil type and oil capacity see Technical Data and *Oil* [→ 49].





When the oil filling is achieved:

- Write down the oil change date on the sticker.

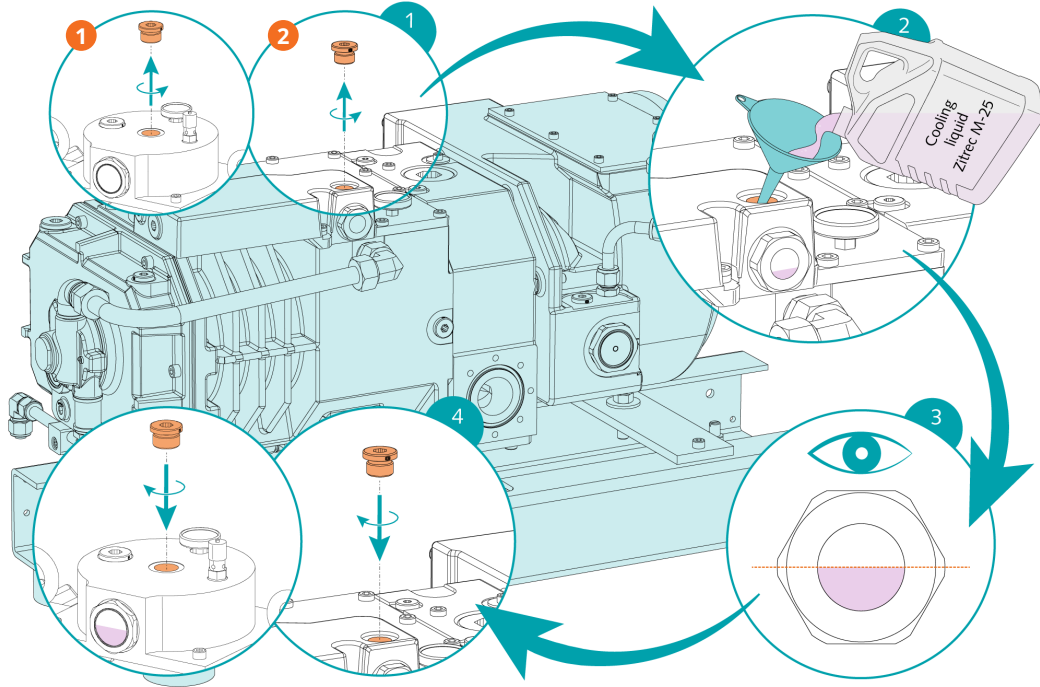


If there is no sticker (part no. 0565 568 959) on the machine:

- Order it from your Busch representative.

## 5.4 Filling Cooling Liquid

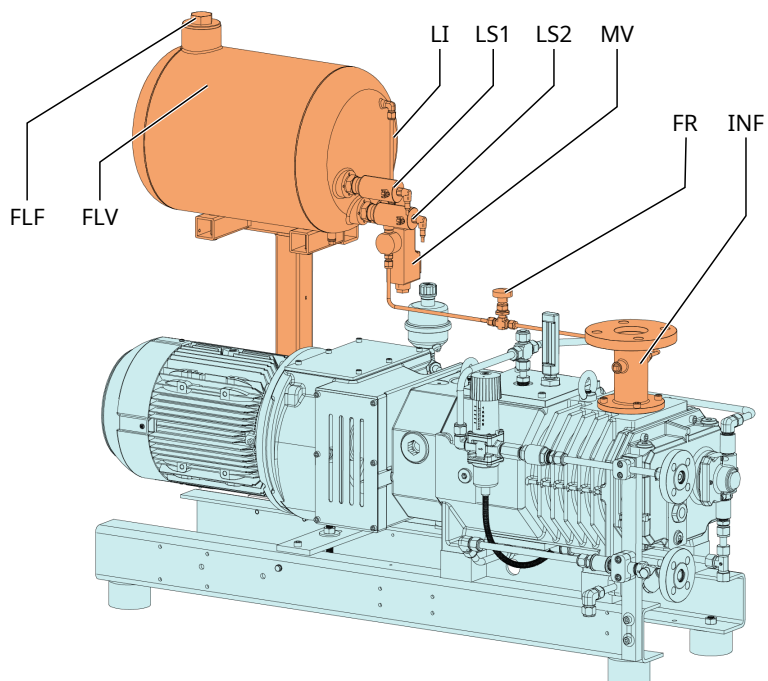
This step must be carried out only if the machine is equipped with a plate heat exchanger (PHE). For cooling liquid type and cooling liquid capacity see Technical Data and *Cooling Liquid* [→ 48].



### Description

1	Expansion vessel (EV) NC 0200 B, NC 0300 B	2	Expansion vessel (EV) NC 0100 B
---	--	---	---------------------------------

## 5.5 Liquid Flushing Device Installation (Optional)



### Description

FLF	Flushing liquid fill plug	FLV	Flushing liquid vessel
FR	Flow regulator	INF	Inlet flange
LI	Level indicator	LS	Level switch
MV	Solenoid valve		

- Electrically connect the solenoid valve (MV), see *Wiring Diagram Solenoid Valve* [→ 29].
- Electrically connect the two level switches (LS), see *Wiring Diagram Level Switch* [→ 31].
- Fill the flushing liquid vessel (FLV) with a process compatible flushing liquid.

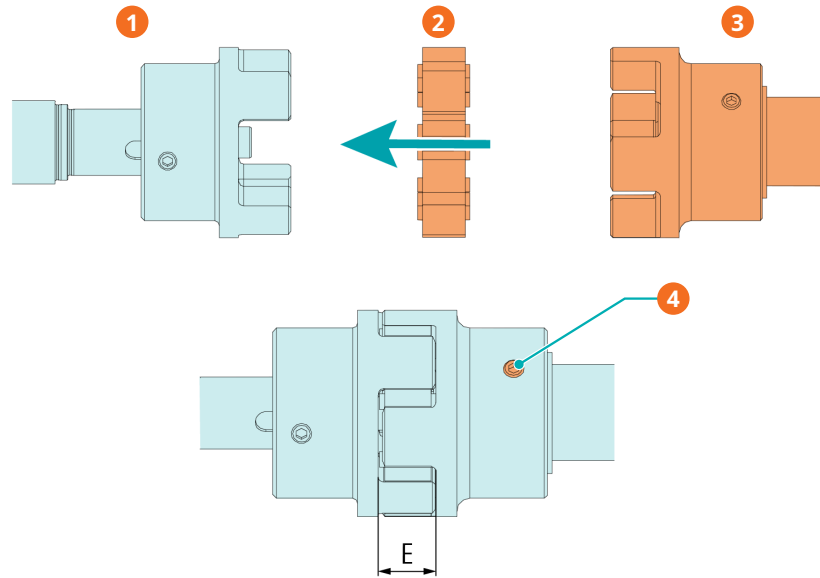
## 5.6 Fitting the Coupling



### NOTE

Radial screw.

For trouble-free operation, use thread locking glue to secure the radial screw.



Description			
1	Coupling hub (machine side)	2	Coupling spider
3	Coupling hub (motor side)	4	Radial screw / max. admissible torque: 10Nm

Machine type	Coupling size	Value "E" (mm)
NC 0100 B	ROTEX® 38	24
NC 0200 B		
NC 0300 B		
NC 0300 B	ROTEX® 42	26

In case of a machine delivery without motor:

- Fit the second coupling hub on the motor shaft (separately delivered).
- Axially adjust the hub in such a way until value "E" is reached.
- When the coupling adjustment is done, lock the coupling hub by tightening the radial screw.
- Mount the motor on the machine by including the coupling spider.

For further coupling information, go to [www.ktr.com](http://www.ktr.com) and download the instruction manual of the ROTEX® coupling.

English	German	French
		
<i>Instruction Manual - English</i>	<i>Instruction Manual - German</i>	<i>Instruction Manual - French</i>



## 6 Electrical Connection



### DANGER

**Live wires.**

**Risk of electrical shock!**

- Electrical installation work must only be executed by qualified personnel.

#### INSTALLATION(S) CURRENT PROTECTION:



### DANGER

**Missing current protection.**

**Risk of electrical shock!**

- Provide current protection in accordance with EN 60204-1 on your installation(s).
- The electrical installation must comply with the applicable national and international standards.



### NOTICE

**Electromagnetic compatibility.**

- Make sure that the motor of the machine will not be affected by electric or electromagnetic disturbance from the mains. If necessary, contact your Busch representative for more information.
- Make sure that the EMC of the machine is compliant with the requirements of your supply network system, if necessary, provide further interference suppression (EMC of the machine, see *EU Declaration of Conformity* [→ 50] or *UK Declaration of Conformity* [→ 51]).

### 6.1 Machine delivered without Variable Speed Drive



### DANGER

**Live wires.**

**Risk of electrical shock!**

- Electrical installation work must only be executed by qualified personnel.



### NOTE

**The operation with variable speed, i.e. with a variable speed drive, is allowed as long as the motor is capable and the permitted motor speed range is respected (see Technical Data).**

**Contact your Busch representative for further advice and information.**

- Make sure that the power supply for the motor is compatible with the data on the nameplate of the motor.
- If the machine is equipped with a power connector, install a residual current protective device to protect persons in case of a defective insulation.

- Busch recommends installing a type B residual protective device suitable for the electrical installation.
- Provide a lockable disconnect switch or an emergency stop switch on the power line so that the machine is completely secured in case of an emergency situation.
- Provide a lockable disconnect switch on the power line so that the machine is completely secured during maintenance tasks.
- Provide an overload protection according to EN 60204-1 for the motor.
- Connect the protective earth conductor.
- Electrically connect the motor.

 **NOTICE**

**The admissible motor nominal speed exceeds the recommendation.**

**Risk of damage to the machine!**

- Check the admissible motor nominal speed ( $n_{max}$ ) on the nameplate of the machine (NP).
- Make sure to comply with it.
- Consult the Technical Data to get more information.

 **NOTICE**

**Incorrect connection.**

**Risk of damage to the motor!**

- The wiring diagrams given below are typical. Check the inside of the terminal box for motor connection instructions/diagrams.

## 6.2 Machine delivered with a Variable Speed Drive (Option)



 **DANGER**

**Live wires. Carry out any work on the variable speed drive and motor.**

**Risk of electrical shock!**

- Electrical installation work must only be executed by qualified personnel.



 **DANGER**

**Maintenance work without disconnecting the variable speed drive.**

**Risk of electrical shock!**

- Disconnect and isolate the variable speed drive before attempting any work on it. High voltages are present at the terminals and within the variable speed drive for up to 10 minutes after disconnection of the electrical supply.
- Always ensure by using a suitable multimeter that no voltage is present on any drive power terminals prior to commencing any work.

- Make sure that the power supply for the drive is compatible with the data on the nameplate of the variable speed drive.
- If the machine is equipped with a power connector, install a residual current protective device to protect persons in case of a defective insulation.
  - Busch recommends installing a type B residual protective device suitable for the electrical installation.
- If the variable speed drive is not equipped with a lockable disconnect switch, provide it on the power line so that the machine is completely secured during maintenance tasks.
- Provide an overload protection according to EN 60204-1.
  - Busch recommends installing a C-curve circuit breaker.
- Connect the protective earth conductor.
- Electrically connect the Variable Speed Drive (VSD).

## ! NOTICE

**The admissible motor speed exceeds the recommendation.**

**Risk of damage to the machine!**

- Check the admissible motor speed range, see Technical Data.

## ! NOTICE

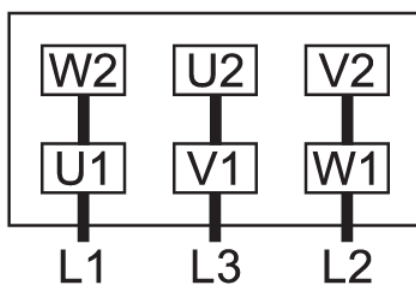
**Incorrect connection.**

**Risk of damage to the variable speed drive!**

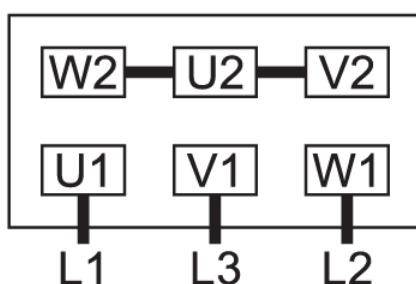
- The wiring diagrams given below are typical. Check the connection instructions/diagrams.

## 6.3 Wiring Diagram Three-Phase Motor (Pump Drive)

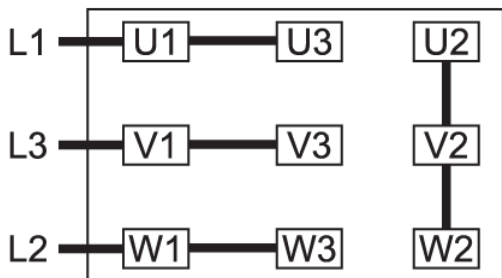
Delta connection (low voltage):



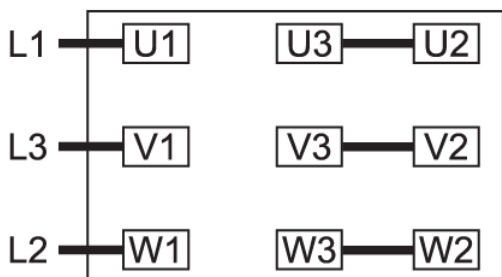
Star connection (high voltage):



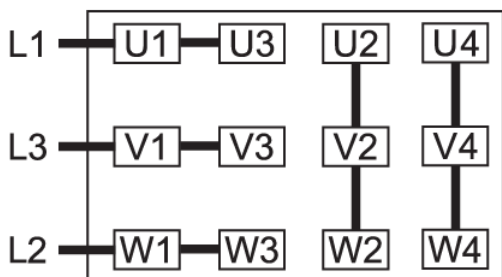
Double star connection, multi-voltage motor with 9 pins (low voltage):



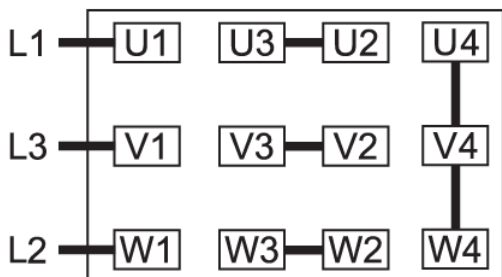
Star connection, multi-voltage motor with 9 pins (high voltage):



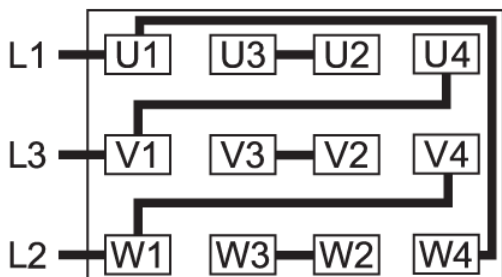
Double star connection, multi-voltage motor with 12 pins (low voltage):



Star connection, multi-voltage motor with 12 pins (high voltage):



Delta connection, multi-voltage motor with 12 pins (middle voltage):



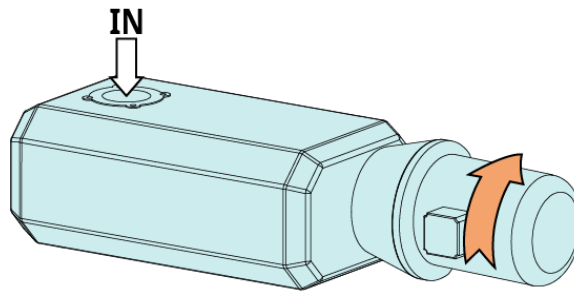
## ! NOTICE

**Incorrect direction of rotation.**

**Risk of damage to the machine!**

- Operation in the wrong direction of rotation can destroy the machine in a short time! Prior to start-up, ensure that the machine is operated in the right direction.

The intended rotation direction of the motor is defined by the illustration below:



- Jog the motor briefly.
- Watch the fan wheel of the motor and determine the direction of rotation just before the fan wheel stops.

If the rotation of the motor must be changed:

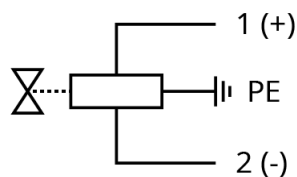
- Switch any two of the motor phase wires.

## 6.4 Wiring Diagram Solenoid Valve (Optional)

**Part no.:** 0654 000 092

$U = 24 \text{ VDC}$ ;  $P_{\text{max}} = 8 \text{ W}$

**Contact:** Normally closed



## 6.5 Electrical Connection of the Monitoring Devices



### NOTE

To prevent potential nuisance alarms, Busch recommends that the control system is configured with a time delay of at least 20 seconds.

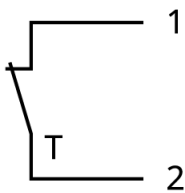
### 6.5.1 Wiring Diagram Temperature Switch

**Part no.:** 0651 555 985

**Electrical data:** U = 6 ... 30 VDC; I = 10 ... 100 mA

**Contact:** Normally closed

**Switch point:**  $T_{\text{trip}} = 106 \text{ }^{\circ}\text{C}$



1 = White; 2 = Brown

### 6.5.2 Wiring Diagram Flow Switch (Optional)

**Part no.:** No Busch reference (Integrated into the flow meter)

**Supplier reference:** Pepperl+Fuchs RC15-14-N3

**Electrical data:** U = 5 ... 25 V; I = 1 ... 3 mA

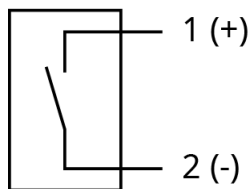
**Switching element function:** NAMUR, bistable

For labyrinth seals, oil lubricated single mechanical seals and PTFE shaft seals:

- **Contact:** Normally open
- **Switch point:** 1.5 SLM ► min. volume flow

For gas lubricated double mechanical seals:

- **Contact:** Normally closed
- **Switch point:** 1 SLM ► max. volume flow



1 = Brown; 2 = Blue

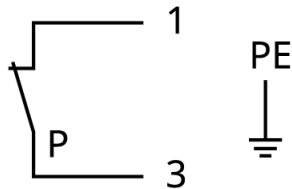
### 6.5.3 Wiring Diagram Pressure Switch (Optional)

**Part no.:** 0653 518 304

**Electrical data:** U = 250 VAC; I = 6 A  
U = 12 ... 220 VDC; I = 6 ... 0.25 A

**Contact:** Normally closed

**Switch point:**  $P_{\text{trip}} = 2.5 \text{ bar (relative)}$  ► min. admissible pressure



### 6.5.4 Wiring Diagram Level Switch (Optional)

**Part no.:** 0652 556 531

**Connector:** M12x1, 4-pin

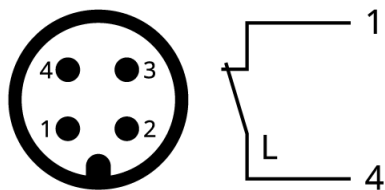
< 6 mW at I < 1 mA; < 38 mW at I = 3.5 mA

**Switching element function:** NAMUR

**Contact:** Normally closed

**Switch point:**  $L_{\text{warning}} = \text{LS1}$  ► pin 1 + 4 ► low level "warning"

$L_{\text{trip}} = \text{LS2}$  ► pin 1 + 4 ► low level "stop flushing"



1 = Brown; 4 = Black

## 7 Commissioning



### CAUTION

During operation the surface of the machine may reach temperatures of more than 70°C.

#### Risk of burns!

- Avoid contact with the machine during and directly after operation.



### CAUTION



**Noise of running machine.**

#### Risk of damage to hearing!

If people are present in the vicinity of a machine that is not insulated from noise for extended periods of time:

- Make sure to wear hearing protection.



### NOTICE

**The machine can be shipped without oil.**

#### Operation without oil will ruin the machine in short time!

- Prior to commissioning, the machine must be filled with oil, see *Filling Oil* [→ 20].



### NOTICE

**Lubricating a dry running machine (compression chamber).**

#### Risk of damage to the machine!

- Do not lubricate the compression chamber of the machine with oil or grease.

- Make sure that the *Installation Conditions* [→ 12] are met.
- Turn on the water supply.
- Adjust the thermostatic valve position according to the process requirements.

If the machine is equipped with a barrier gas system:

- Turn on the barrier gas supply.
- Adjust the barrier gas pressure and volume flow.
- Start the machine.
- Make sure that the maximum permissible number of starts does not exceed 6 starts per hour. Those starts should be spread within the hour.
- Make sure that the operating conditions comply with the Technical Data.

If the machine is equipped with a plate heat exchanger (PHE):

- After a few minutes of operation, perform a *Cooling Liquid Level Inspection* [→ 37].
- After a few minutes of operation, perform an *Oil Level Inspection* [→ 37].

As soon as the machine is operated under normal operating conditions:

- Measure the motor current and record it as reference for future maintenance and trouble-shooting work.



## 7.1 Conveying Condensable Vapors



### CAUTION

**Draining the condensate while operating and/or venting the machine.**

**The discharged gases and/or liquids may reach temperatures above 70°C!**

**Risk of burns!**

- Avoid direct contact with the flow of gases and/or liquids.

The machine, equipped either with a gas ballast valve or a gas dilution system, is suitable for conveying condensable vapors in the gas stream.

If condensable vapors are to be conveyed:

#### START

- Open the gas ballast valve\* or the gas dilution system\* (Solenoid valve).
- Warm up the machine for 30 minutes.
- Open the inlet valve.
- Perform the process.
- Close the inlet valve.
- Wait 30 minutes.
- Close the gas ballast valve\* or the gas dilution system\* (Solenoid valve).

#### END

\* Optional accessories

- Continuously drain condensate from the condensate drain plug (CD) of the silencer (SI) (Optional).

## 7.2 Liquid Flushing Procedure

Liquid flushing of the machine is recommended only if the machine is equipped with oil lubricated mechanical seals on both sides.

If after the application process a liquid flushing is required:

#### START

- Reduce the motor speed to 10 Hz (minimum admissible frequency) with the inlet valve closed
- Open the liquid flushing device (solenoid valve)
- Adapt the flushing liquid flow according to the application requirements
  - The flushing duration depends on the application
- Close the liquid flushing device

#### END

## 7.3 Gas Purging Procedure

The machine can be optionally equipped with a purge gas system.

If after the application process a gas purge is required, i.e. after a liquid flushing sequence or to render the compression chamber inert:

### **START**

- Close the inlet valve
- Open the purge gas (solenoid valve)
  - The flushing duration depends on the application (minimum 200 seconds to render the machine inert)
- Close the purge gas

### **END**

## 8 Maintenance



### DANGER

**Live wires.**

**Risk of electrical shock!**

- Electrical installation work must only be executed by qualified personnel.

If the machine is equipped with a variable speed drive:



### DANGER

**Maintenance work without disconnecting the variable speed drive.**

**Risk of electrical shock!**

- Disconnect and isolate the variable speed drive before attempting any work on it. High voltages are present at the terminals and within the variable speed drive for up to 10 minutes after disconnection of the electrical supply.
- Always ensure by using a suitable multimeter that no voltage is present on any drive power terminals prior to commencing any work.



### DANGER

**Live wires. Carry out any work on the variable speed drive and motor.**

**Risk of electrical shock!**

- Electrical installation work must only be executed by qualified personnel.



### WARNING



**The machine is contaminated with hazardous material.**

**Risk of poisoning!**

**Risk of infection!**

If the machine is contaminated with hazardous material:

- Wear appropriate personal protective equipment.



### CAUTION

**Hot surface.**

**Risk of burns!**

- Before doing anything that requires touching the machine, let it cool down first.

 **CAUTION**

**Failing to properly maintain the machine.**

**Risk of injuries!**

**Risk of premature failure and loss of efficiency!**

- Maintenance work must only be executed by qualified personnel.
- Respect the maintenance intervals or ask your Busch representative for service.

 **NOTICE**

**Using inappropriate cleaners.**

**Risk of removing safety stickers and protective paint!**

- Do not use incompatible solvents to clean the machine.

- Shut down the machine and lock against inadvertent start up.
- Turn off the water supply.

If the machine is equipped with a barrier gas system:

- Close the barrier gas supply.
- Vent the connected lines to atmospheric pressure.

If necessary:

- Disconnect all connections.

## 8.1 Maintenance Schedule

The maintenance intervals depend very much on the individual operating conditions. The intervals given below are considered as starting values which should be individually shortened or extended as appropriate.

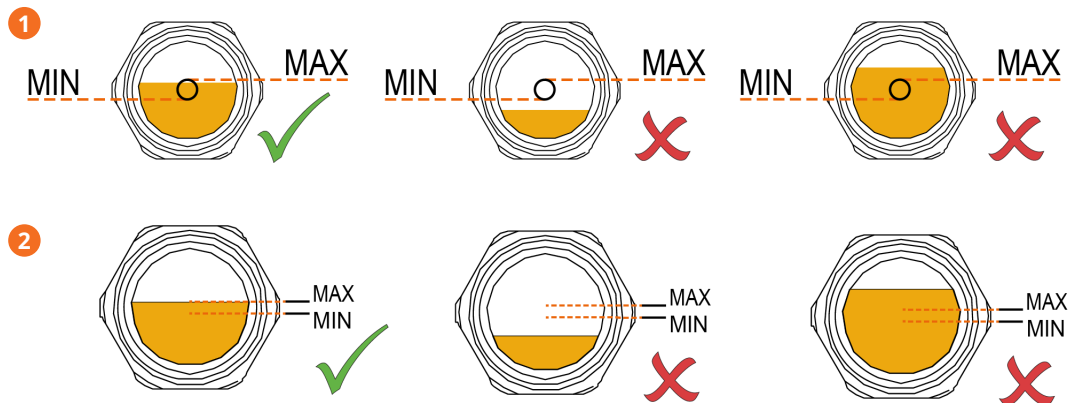
Particularly harsh applications or heavy duty operation, such as high dust loads in the environment or in the process gas, other contamination or ingress of process material, can make it necessary to shorten the maintenance intervals significantly.

Interval	Maintenance work
Monthly	<ul style="list-style-type: none"> <li>• Check the oil level, see <i>Oil Level Inspection</i> [→ 37].</li> </ul> If the machine is equipped with a plate heat exchanger (PHE): <ul style="list-style-type: none"> <li>• Check the cooling liquid level, see <i>Cooling Liquid Level Inspection</i> [→ 37].</li> <li>• Check the machine for oil leaks - in case of leaks have the machine repaired (contact Busch).</li> </ul>
Yearly	<ul style="list-style-type: none"> <li>• Carry out a visual inspection and clean the machine from dust and dirt.</li> <li>• Check the electrical connections and the monitoring devices.</li> </ul>
Yearly If one or more of these accessories are installed.	<ul style="list-style-type: none"> <li>• Check the filter of the gas ballast valve (GB), clean it if necessary.</li> <li>• Check the silencer (SI) and clean it if necessary.</li> </ul>

Interval	Maintenance work
Every 5000 hours or after 1 year	<ul style="list-style-type: none"> <li>Change the oil of the gear and bearing housings (both sides), see <i>Oil Change</i> [→ 38].</li> </ul> If the machine is equipped with a plate heat exchanger (PHE): <ul style="list-style-type: none"> <li>Change the cooling liquid, see <i>Cooling Liquid Change</i> [→ 41].</li> <li>Clean the magnetic plugs (MP).</li> </ul>
Every 16000 hours or after 4 years	<ul style="list-style-type: none"> <li>Carry out a major overhaul on the machine (Contact Busch).</li> </ul>

## 8.2 Oil Level Inspection

- Stop the machine.
- Wait 1 minute.
- Check the oil level.



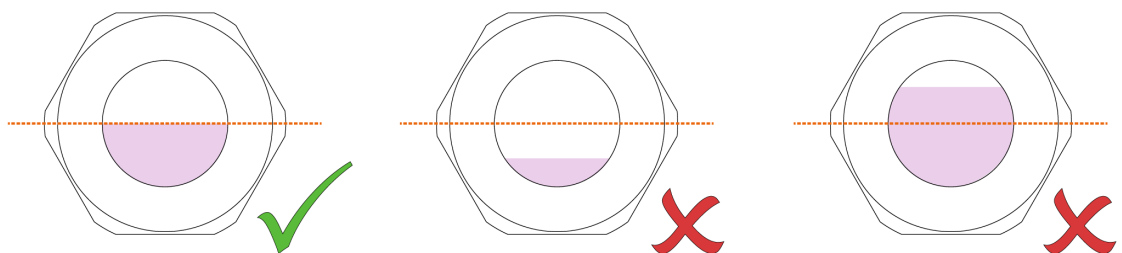
Description	
1	Oil sight glass on suction side
2	Oil sight glass on motor side

- Fill up if necessary, see *Oil Filling* [→ 20].

## 8.3 Cooling Liquid Level Inspection

This step must be carried out only if the machine is equipped with a plate heat exchanger (PHE).

- Stop the machine.
- Let the machine cool down.
- Check the cooling liquid level.



- Fill up if necessary, see *Filling Cooling Liquid* [→ 22].

## 8.4 Oil Change

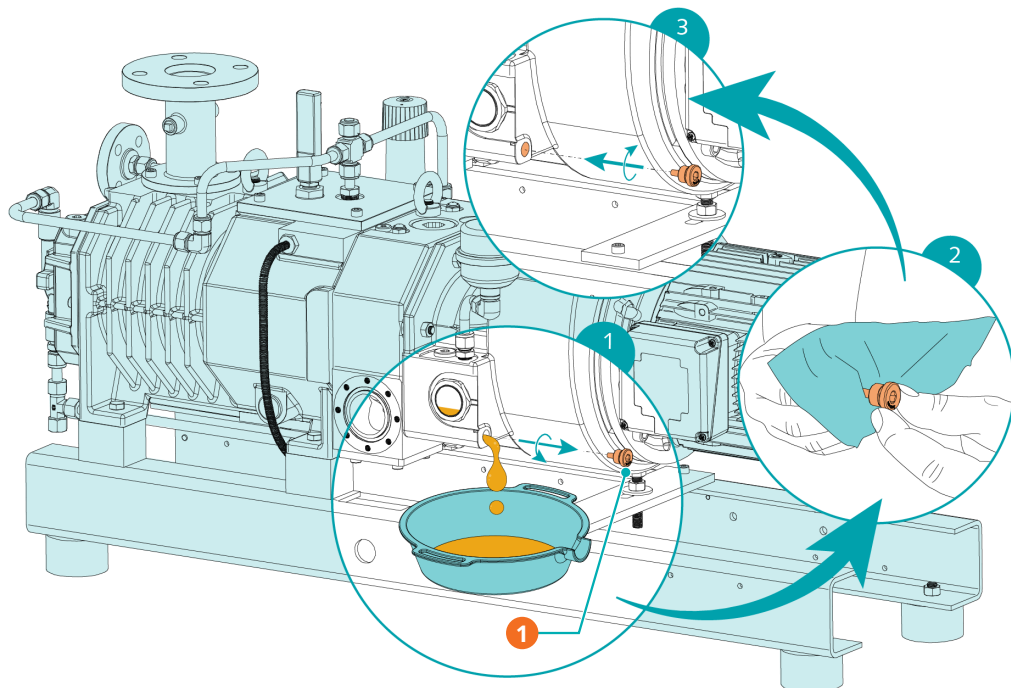
### NOTICE

**Use of an inappropriate oil.**

**Risk of premature failure!**

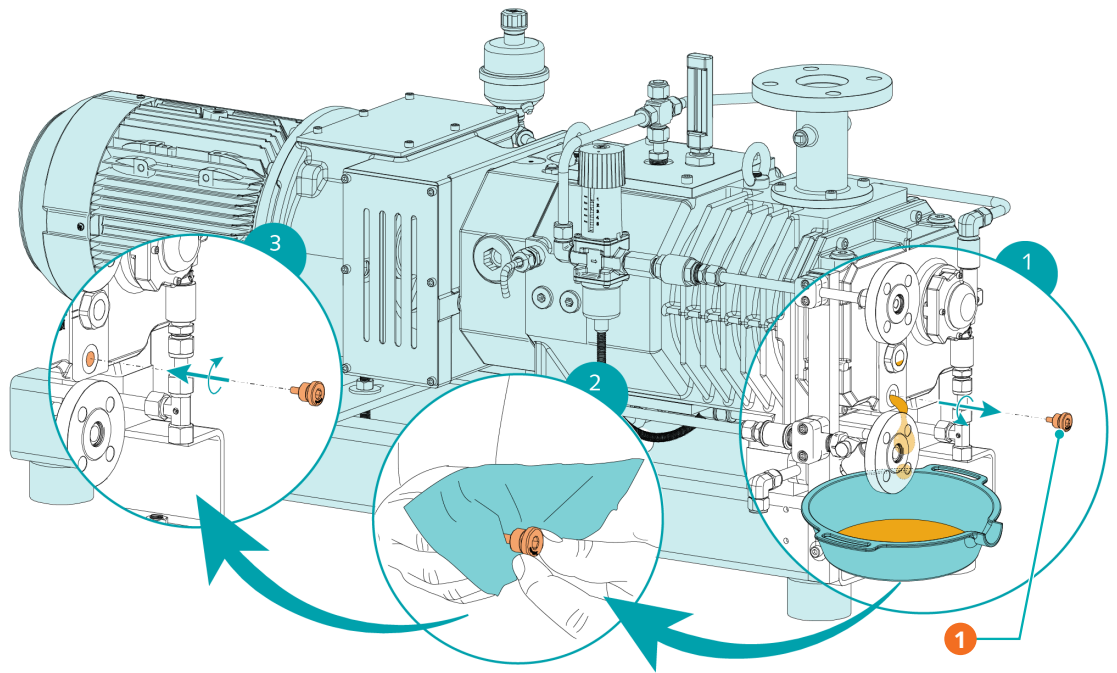
**Loss of efficiency!**

- Only use an oil type which has previously been approved and recommended by Busch.



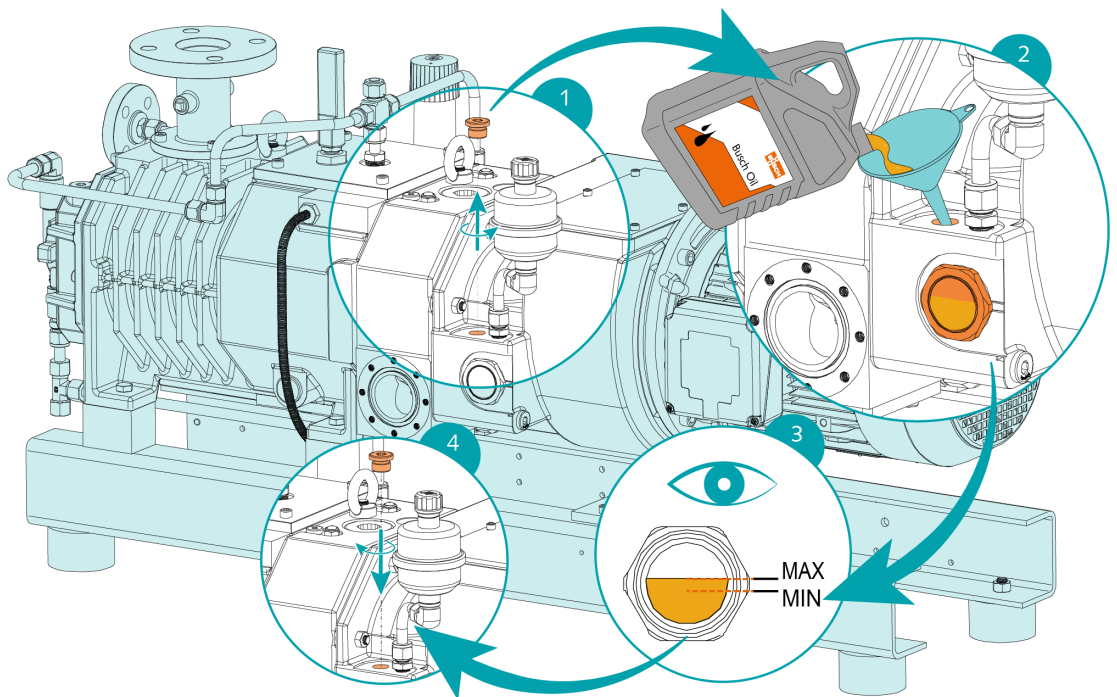
#### Description

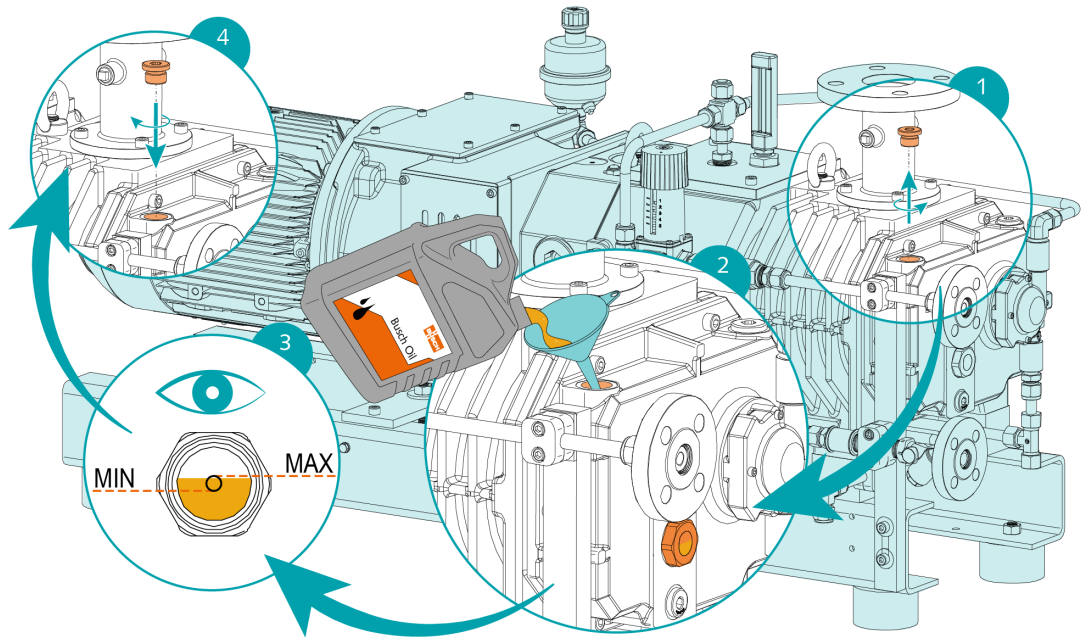
1	Magnetic plug		
---	---------------	--	--



Description	
1	Magnetic plug

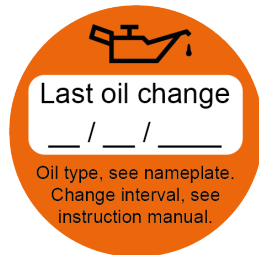
For oil type and oil capacity see Technical Data and Oil [→ 49].





When the oil filling is achieved:

- Write down the oil change date on the sticker.



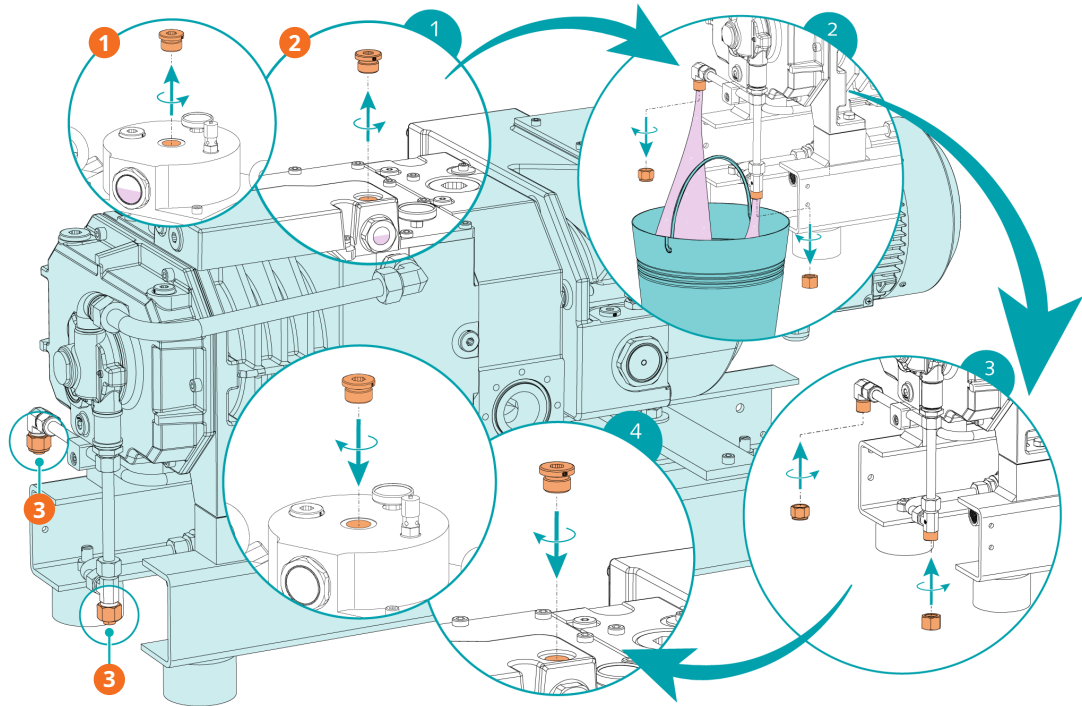
If there is no sticker (part no. 0565 568 959) on the machine:

- Order it from your Busch representative.



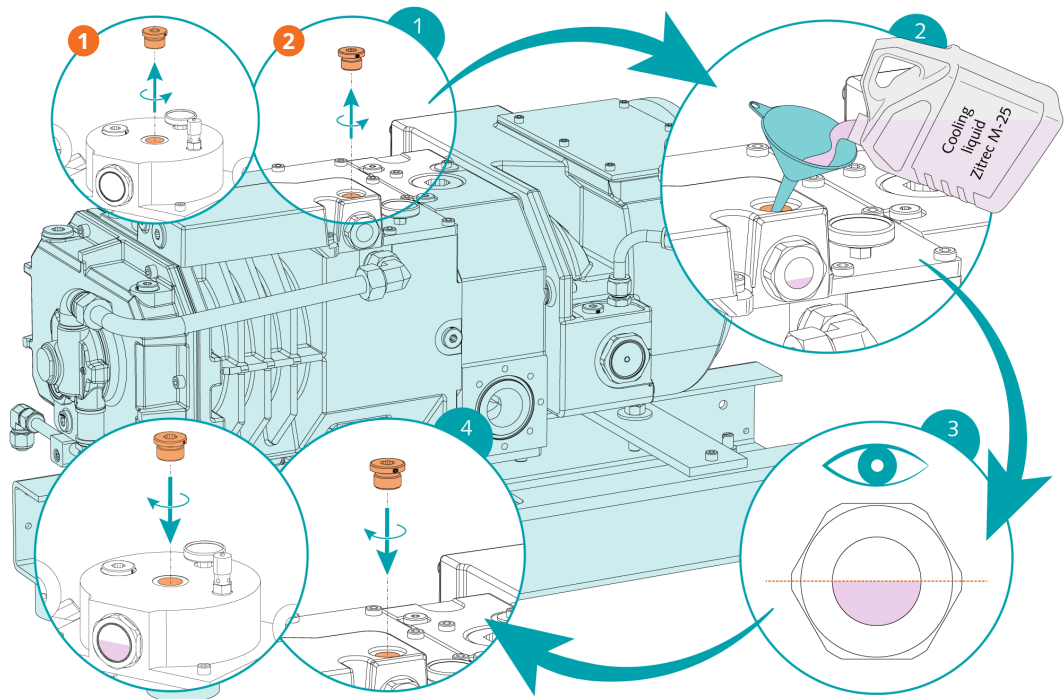
## 8.5 Cooling Liquid Change

This step must be carried out only if the machine is equipped with a plate heat exchanger (PHE).



Description			
1	Expansion vessel (EV) NC 0200 B, NC 0300 B	2	Expansion vessel (EV) NC 0100 B
3	Cooling liquid drain valve (CLD)		

For cooling liquid type and cooling liquid capacity see Technical Data and *Cooling Liquid* [→ 48].



Description			
1	Expansion vessel (EV) NC 0200 B, NC 0300 B	2	Expansion vessel (EV) NC 0100 B

## 9 Overhaul



### WARNING



**The machine is contaminated with hazardous material.**

**Risk of poisoning!**

**Risk of infection!**

If the machine is contaminated with hazardous material:

- Wear appropriate personal protective equipment.



### NOTICE

**Improper assembly.**

**Risk of premature failure!**

**Loss of efficiency!**

- Any dismantling of the machine that goes beyond anything that is described in this manual should be done by Busch authorized technicians.

If the machine has conveyed gas contaminated with foreign materials which are hazardous to health:

- Decontaminate the machine as much as possible and state the contamination status in a 'Declaration of Contamination'.

Busch will only accept machine accompanied by a signed, fully completed and legally binding "declaration of contamination", downloadable from the following link: [buschvacuum.com/declaration-of-contamination](https://buschvacuum.com/declaration-of-contamination).

## 10 Decommissioning



### DANGER

**Live wires.**

**Risk of electrical shock!**

- Electrical installation work must only be executed by qualified personnel.



### CAUTION

**Hot surface.**

**Risk of burns!**

- Before doing anything that requires touching the machine, let it cool down first.

- Shut down the machine and lock against inadvertent start up.
- Disconnect the power supply.
- Turn off the water supply.

If the machine is equipped with a barrier gas system:

- Close the barrier gas supply.
- Vent the connected lines to atmospheric pressure.
- Drain cooling water through cooling water drain plugs (CWD).
- Disconnect all connections.

If the machine is to be stored:

- See *Storage* [→ 11].

### 10.1 Dismantling and Disposal

- Drain and collect the oil.
- Make sure that no oil drips onto the floor.

If the machine is equipped with a plate heat exchanger (PHE):

- Drain and collect the cooling liquid.
- Make sure that no cooling liquid drips onto the floor.
- Separate special waste from the machine.
- Dispose of special waste in compliance with applicable regulations.
- Dispose of the machine as scrap metal.

# 11 Spare Parts



## NOTICE

**Use of non-Busch original spare parts.**

**Risk of premature failure!**

**Loss of efficiency!**

- Use only original Busch spare parts, consumables and supplies to ensure correct operation of the machine and to validate the warranty.
- 

There are no standard spare parts kits available for this product.

For original Busch spare parts:

- Contact your Busch representative.

# 12 Troubleshooting



## DANGER

Live wires.

Risk of electrical shock!

- Electrical installation work must only be executed by qualified personnel.



## CAUTION

Hot surface.

Risk of burns!

- Before doing anything that requires touching the machine, let it cool down first.

Problem	Possible Cause	Remedy
The machine does not start.	The motor is not supplied with the correct voltage.	<ul style="list-style-type: none"> <li>• Check the power supply.</li> </ul>
	The rotors are jammed or seized.	<ul style="list-style-type: none"> <li>• Turn the screw rotors manually from the rotor access plug (PMR).</li> <li>• Repair the machine (contact Busch).</li> </ul>
	Solid foreign matter has entered the machine.	<ul style="list-style-type: none"> <li>• Remove the solid foreign matter or repair the machine (contact Busch).</li> <li>• Install an inlet filter if necessary.</li> </ul>
	A temperature sensor has reached the switch point.	<ul style="list-style-type: none"> <li>• Let the machine cool down.</li> <li>• See problem "The machine runs too hot".</li> </ul>
	Corrosion in the machine from remaining condensate.	<ul style="list-style-type: none"> <li>• Repair the machine.</li> <li>• Check the process and follow the recommendation in case of conveying condensable vapors.</li> </ul>
	The motor is defective.	<ul style="list-style-type: none"> <li>• Replace the motor.</li> </ul>
The machine does not reach the usual pressure on the suction connection.	Suction or discharge lines too long or section diameter too small.	<ul style="list-style-type: none"> <li>• Use larger diameter or shorter lines.</li> <li>• Seek advice from your local Busch representative.</li> </ul>
	Process deposits on the pumping components	<ul style="list-style-type: none"> <li>• Flush the machine.</li> </ul>
	The machine runs in the wrong direction.	<ul style="list-style-type: none"> <li>• Check the direction of rotation, see <i>Wiring Diagram Three-Phase Motor (Pump Drive)</i> [→ 27].</li> </ul>
	Internal parts are worn or damaged.	<ul style="list-style-type: none"> <li>• Repair the machine (contact Busch).</li> </ul>

Problem	Possible Cause	Remedy
The machine runs very noisily.	Wrong oil quantity or unsuitable oil type.	<ul style="list-style-type: none"> <li>Use one of the recommended oils in the correct quantity, see <i>Oil</i> [→ 49].</li> </ul>
	Defective gears, bearings or coupling element.	<ul style="list-style-type: none"> <li>Repair machine (contact Busch).</li> </ul>
The machine runs too hot.	Insufficient cooling.	<ul style="list-style-type: none"> <li>Make sure to comply with the cooling water requirements, see <i>Cooling Water Connection</i> [→ 15].</li> </ul>
	Ambient temperature too high.	<ul style="list-style-type: none"> <li>Observe the permitted ambient temperature, see Technical Data.</li> </ul>
	Temperature of the process gases at the inlet too high.	<ul style="list-style-type: none"> <li>Observe the permitted gas inlet temperature, see Technical Data.</li> </ul>
	The cooling water pump is defective.	<ul style="list-style-type: none"> <li>Repair the machine.</li> </ul>
	Oil level too low.	<ul style="list-style-type: none"> <li>Top up oil.</li> </ul>
The oil is black.	Oil change intervals are too long.	<ul style="list-style-type: none"> <li>Drain the oil and fill in new oil, see <i>Oil Change</i> [→ 38].</li> </ul>
	The machine runs too hot.	<ul style="list-style-type: none"> <li>See problem "The machine runs too hot".</li> </ul>

For resolution of problems not listed in the troubleshooting table, please contact your Busch representative.

# 13 Technical Data

		NC 0100 B	NC 0200 B	NC 0300 B
Pumping speed (50 / 60 Hz)	m <sup>3</sup> /h	110 / 130	220 / 265	320 / 385
	ACFM	- / 76.5	- / 155	- / 225
Ultimate pressure (50 / 60 Hz) <sup>(1)</sup>	hPa (mbar) abs.	≤ 0.05 / ≤ 0.01		
	TORR	- / ≤ 0.0075		
Ultimate pressure (50 / 60 Hz) <sup>(2)</sup>	hPa (mbar) abs.	≤ 0.5 / ≤ 0.1		
	TORR	- / ≤ 0.075		
Nominal motor rating (50 / 60 Hz)	kW	3.5 / 4.8	6.0 / 7.6	7.5 / 9.5
	HP	- / 5	- / 10	- / 15
Nominal motor speed (50 / 60 Hz)	min <sup>-1</sup>	3000 / 3600		
	RPM	- / 3600		
Sound pressure level (ISO 2151) KpA = 3 dB (50 / 60 Hz)	dB(A)	≤ 70 / ≤ 74	≤ 71 / ≤ 76	≤ 72 / ≤ 77
Ambient temperature range	°C	5 ... 50		
	°F	41 ... 122		
Maximum allowable counter pressure at discharge	hPa (mbar) rel.	200		
	TORR	150		
Maximum allowable gas inlet temperature according to the inlet pressure	°C	≤ 50 hPa (mbar) abs. : 200		
		> 50 hPa (mbar) abs. : 70		
	°F	≤ 37.5 TORR : 392		
		> 37.5 TORR : 158		
Relative humidity	at 30°C	90 %		
	at 86°F			
Ambient pressure		Atmospheric pressure		
Cooling water requirements		See <i>Cooling Water Connection</i> [→ 15]		
Oil capacity - Motor side	l	1.1		
	qts.	1.16		
Oil capacity - Suction side	l	0.45		
	qts.	0.48		
Cooling liquid capacity approx. (with PHE only)	l	4	5.5	6.5
	qts.	4.23	5.81	6.87
Weight approx.	kg	300	350	400
	Lbs.	662	772	882

<sup>(1)</sup> With "NC" standard coating

<sup>(2)</sup> With "NT" special coating

# 14 Cooling Liquid

Zitrec® M-25 (Ready-to-use)	
Part number 5 L packaging	0831 563 469
Part number 20 L packaging	0831 238 761

**Zitrec® M-25** coolant (Cooling liquid) is ready-to-use and requires no additional water.

For more information, visit [www.arteco-coolants.com](http://www.arteco-coolants.com).



# 15 Oil

VSC 100	
ISO-VG	100
Oil type	Synthetic
Part number 1 L packaging	0831 168 356
Part number 5 L packaging	0831 168 357
Part number 10 L packaging	0831 210 162
Part number 20 L packaging	0831 168 359

# 16 EU Declaration of Conformity

This Declaration of Conformity and the CE-markings affixed to the nameplate are valid for the machine within the Busch scope of delivery. This Declaration of Conformity is issued under the sole responsibility of the manufacturer.

When this machine is integrated into a superordinate machinery the manufacturer of the superordinate machinery (this can be the operating company, too) must conduct the conformity assessment process for the superordinate machine or plant, issue the Declaration of Conformity for it and affix the CE-marking.

The manufacturer is determined by the serial number:

Serial number starts with **CHM1...**

**Ateliers Busch S.A.**  
**Zone industrielle**  
**2906 Chevenez**  
**Switzerland**

Serial number starts with **USM1...**

**Busch Manufacturing LLC**  
**516 Viking Drive**  
**Virginia Beach, VA 23452**  
**USA**

declares that the machine: COBRA NC 0100 B; COBRA NT 0100 B; COBRA NX 0100 B; COBRA NC 0200 B; COBRA NX 0200 B; COBRA NC 0300 B; COBRA NT 0300 B; COBRA NX 0300 B

fulfill(s) all the relevant provisions from EU directives:

- 'Machinery' 2006/42/EC
- 'Electromagnetic Compatibility' (EMC) 2014/30/EU
- 'RoHS' 2011/65/EU Restriction of the use of certain hazardous substances in electrical and electronic equipment (incl. all related applicable amendments)

and comply(-ies) with the following harmonized standards that have been used to fulfill those provisions:

Standard	Title of the Standard
EN ISO 12100 : 2010	Safety of machinery - Basic concepts, general principles of design
EN 1012-2 : 1996 + A1 : 2009	Vacuum pumps - Safety requirements - Part 2
EN 60204-1 : 2018	Safety of machinery - Electrical equipment of machines - Part 1: General requirements
EN ISO 13857 : 2019	Safety of machinery - Safety distances to prevent hazard zones being reached by the upper and lower limbs
EN ISO 2151 : 2008	Acoustics - Noise test code for compressors and vacuum pumps - Engineering method (grade 2)
EN IEC 61000-6-2 : 2019	Electromagnetic compatibility (EMC) - Generic standards. Immunity for industrial environments
EN IEC 61000-6-4 : 2019	Electromagnetic compatibility (EMC) - Generic standards. Emission standard for industrial environments

Legal person authorized to compile the technical file and authorized representative in the EU (if the manufacturer is not located in the EU): **Busch Dienste GmbH**  
**Schauinslandstr. 1**  
**DE-79689 Maulburg**

Chevenez, 01.11.2023



**Christian Hoffmann**  
**General Manager**  
**Ateliers Busch S.A.**

Virginia Beach, 01.11.2023



**Dalip Kapoor**  
**Chief Counsel, Legal & Compliance Officer**  
**Busch Manufacturing LLC**

# 17 UK Declaration of Conformity

This Declaration of Conformity and the UKCA-markings affixed to the nameplate are valid for the machine within the Busch scope of delivery. This Declaration of Conformity is issued under the sole responsibility of the manufacturer.

When this machine is integrated into a superordinate machinery the manufacturer of the superordinate machinery (this can be the operating company, too) must conduct the conformity assessment process for the superordinate machine or plant, issue the Declaration of Conformity for it and affix the UKCA-marking.

The manufacturer is determined by the serial number:

Serial number starts with **CHM1...**

**Ateliers Busch S.A.**  
**Zone industrielle**  
**2906 Chevenez**  
**Switzerland**

Serial number starts with **USM1...**

**Busch Manufacturing LLC**  
**516 Viking Drive**  
**Virginia Beach, VA 23452**  
**USA**

declares that the machine: COBRA NC 0100 B; COBRA NT 0100 B; COBRA NX 0100 B; COBRA NC 0200 B; COBRA NX 0200 B; COBRA NC 0300 B; COBRA NT 0300 B; COBRA NX 0300 B

fulfill(s) all the relevant provisions from UK legislations:

- Supply of Machinery (Safety) Regulations 2008
- Electromagnetic Compatibility Regulations 2016
- Restriction of the use of certain hazardous substances in Electrical and Electronic Equipment Regulations 2012

and comply(-ies) with the following designated standards that have been used to fulfill those provisions:

Standard	Title of the Standard
EN ISO 12100 : 2010	Safety of machinery - Basic concepts, general principles of design
EN 1012-2 : 1996 + A1 : 2009	Vacuum pumps - Safety requirements - Part 2
EN 60204-1 : 2018	Safety of machinery - Electrical equipment of machines - Part 1: General requirements
EN ISO 13857 : 2019	Safety of machinery - Safety distances to prevent hazard zones being reached by the upper and lower limbs
EN ISO 2151 : 2008	Acoustics - Noise test code for compressors and vacuum pumps - Engineering method (grade 2)
EN IEC 61000-6-2 : 2019	Electromagnetic compatibility (EMC) - Generic standards. Immunity for industrial environments
EN IEC 61000-6-4 : 2019	Electromagnetic compatibility (EMC) - Generic standards. Emission standard for industrial environments

Legal person authorized to compile the technical file and importer in the UK (if the manufacturer is not located in the UK):

**Busch (UK) Ltd**  
**30 Hortonwood**  
**Telford - UK**

Chevenez, 01.11.2023



**Christian Hoffmann**  
**General Manager**  
**Ateliers Busch S.A.**

Virginia Beach, 01.11.2023

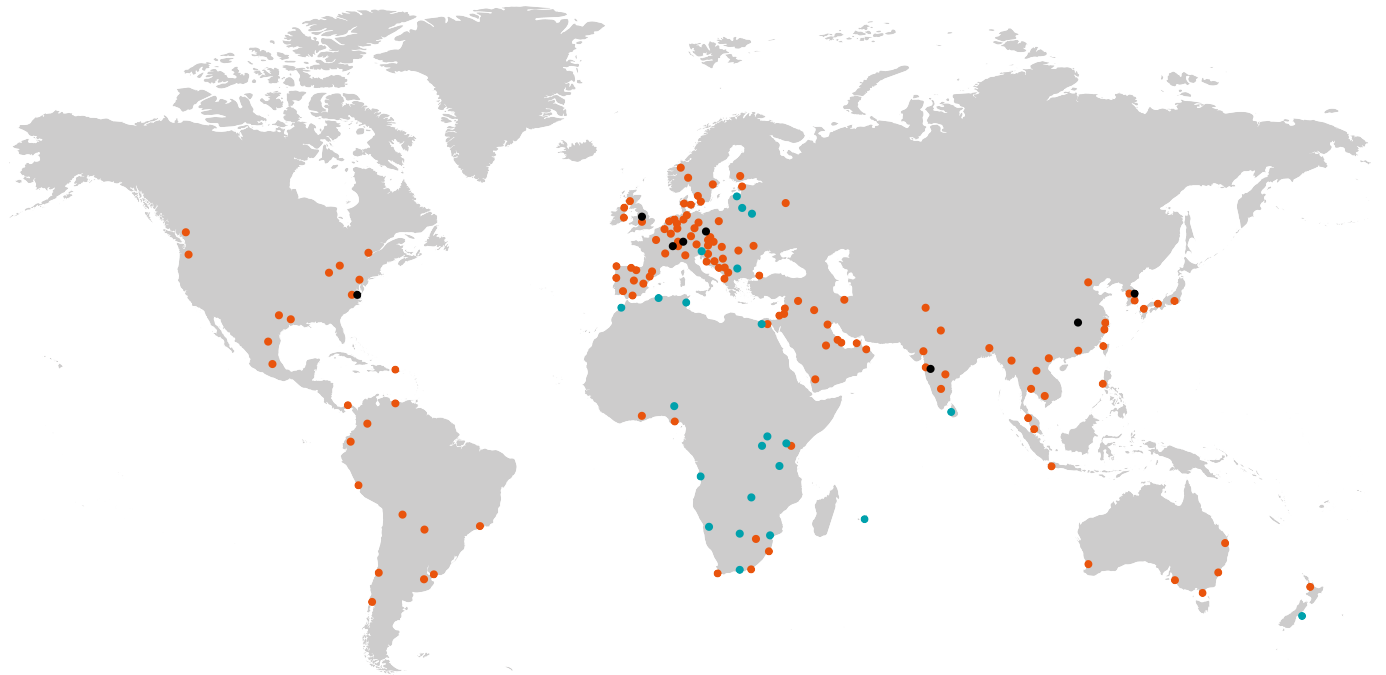


**Dalip Kapoor**  
**Chief Counsel, Legal & Compliance Officer**  
**Busch Manufacturing LLC**

# Busch

## Vacuum Solutions

With a network of over 60 companies in more than 40 countries and agencies worldwide, Busch has a global presence. In every country, highly competent local personnel delivers custom-tailored support backed by a global network of expertise. Wherever you are. Whatever your business. We are there for you.



● Busch companies and Busch employees    ● Local representatives and distributors    ● Busch production site

[www.buschvacuum.com](http://www.buschvacuum.com)