

MINK

Claw Vacuum Pumps
MM 1104 CVM, MM 1102 CVM

Instruction Manual



Table of Contents

| | | |
|-----------|--|-----------|
| 1 | Safety | 3 |
| 2 | Product Description | 4 |
| 2.1 | Operating Principle | 5 |
| 2.2 | Intended Use | 5 |
| 2.3 | Design Options..... | 6 |
| 2.3.1 | Aqua Version..... | 6 |
| 2.4 | Start Controls..... | 6 |
| 2.5 | Optional Accessories..... | 6 |
| 2.5.1 | Inlet Filter | 6 |
| 2.5.2 | Non-return Valve..... | 6 |
| 2.5.3 | Vacuum Relief Valve..... | 6 |
| 3 | Transport | 7 |
| 4 | Storage | 8 |
| 5 | Installation | 9 |
| 5.1 | Installation Conditions..... | 9 |
| 5.2 | Optional Mounting Positions: Silencer Assembly Group | 10 |
| 5.3 | Connecting Lines / Pipes | 10 |
| 5.3.1 | Suction Connection..... | 11 |
| 5.3.2 | Discharge Connection | 11 |
| 5.4 | Filling Oil..... | 11 |
| 6 | Electrical Connection | 13 |
| 6.1 | Machine delivered without Control Box or Variable Speed Drive (VSD)..... | 13 |
| 6.2 | Wiring Diagram Three-Phase Motor | 14 |
| 7 | Commissioning | 15 |
| 8 | Maintenance | 16 |
| 8.1 | Maintenance Schedule | 17 |
| 8.2 | Oil Level Inspection | 17 |
| 8.3 | Cleaning from Dust and Dirt..... | 18 |
| 8.4 | Oil Change..... | 18 |
| 9 | Overhaul | 20 |
| 10 | Decommissioning | 21 |
| 10.1 | Dismantling and Disposal | 21 |
| 11 | Spare Parts | 22 |
| 12 | Troubleshooting | 23 |
| 13 | Technical Data | 25 |
| 14 | Oil | 26 |
| 15 | EU Declaration of Conformity | 27 |
| 16 | UK Declaration of Conformity | 28 |

1 Safety

Prior to handling the machine, this instruction manual should be read and understood. If anything needs to be clarified, please contact your Busch representative.

Read this manual carefully before use and keep for future reference.

This instruction manual remains valid as long as the customer does not change anything on the product.

The machine is intended for industrial use. It must be handled only by technically trained personnel.

Always wear appropriate personal protective equipment in accordance with the local regulations.

The machine has been designed and manufactured according to state-of-the-art methods. Nevertheless, residual risks may remain, as described in the following chapters and in accordance with the chapter *Intended Use* [→ 5]. This instruction manual highlights potential hazards where appropriate. Safety notes and warning messages are tagged with one of the keywords DANGER, WARNING, CAUTION, NOTICE and NOTE as follows:



DANGER

... indicates an imminent dangerous situation that will result in death or serious injuries if not prevented.



WARNING

... indicates a potentially dangerous situation that could result in death or serious injuries.



CAUTION

... indicates a potentially dangerous situation that could result in minor injuries.



NOTICE

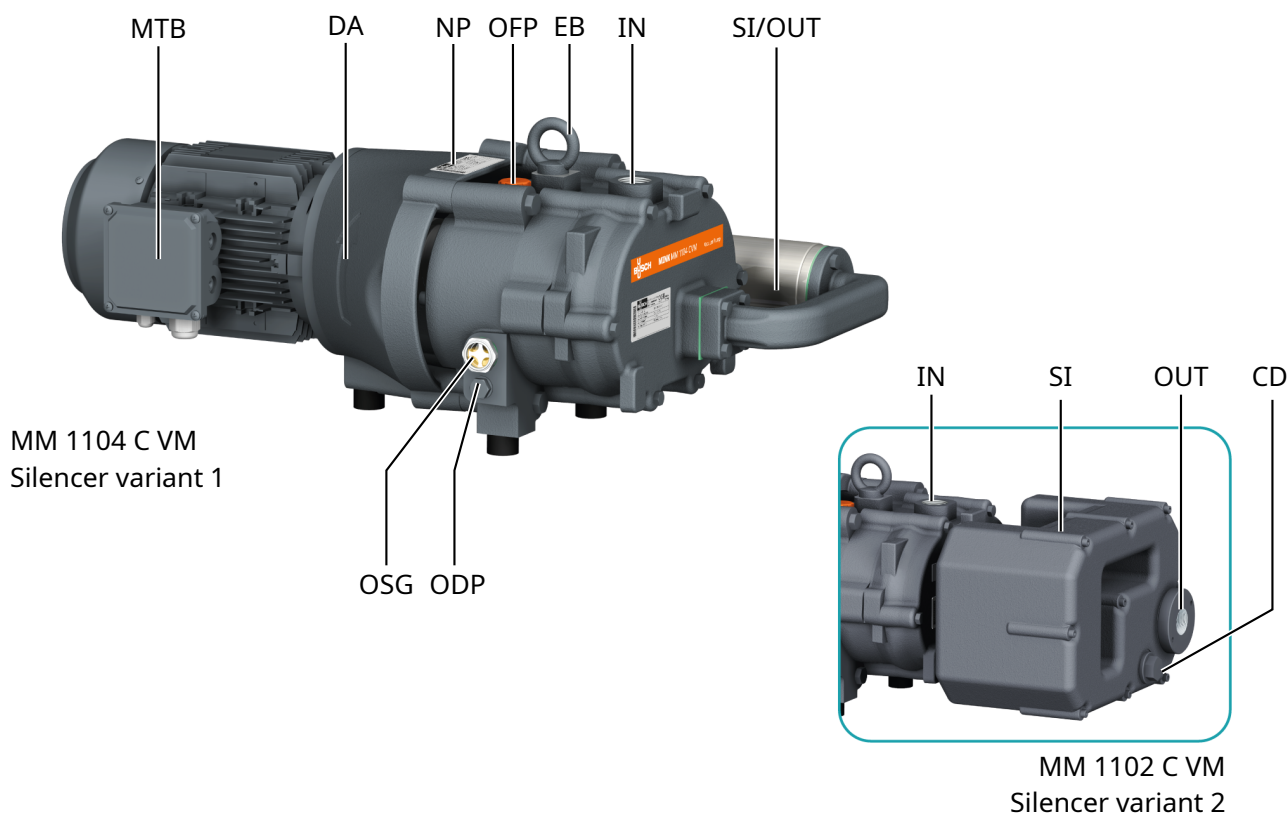
... indicates a potentially dangerous situation that could result in damage to property.



NOTE

... indicates helpful tips and recommendations, as well as information for efficient and trouble-free operation.

2 Product Description



Description

| | | | |
|-----|------------------|-----|-----------------------------|
| IN | Inlet connection | OUT | Discharge connection |
| OFP | Oil fill plug | ODP | Oil drain plug |
| OSG | Oil sight glass | MTB | Motor terminal box |
| SI | Silencer | CD | Condensate drain (optional) |
| EB | Eye bolt | DA | Directional arrow |
| NP | Nameplate | | |

NOTE

Technical term.

In this instruction manual, we consider that the term 'machine' refers to the 'vacuum pump'.

NOTE

Illustrations

In this instruction manual the illustrations may differ from the machine appearance.

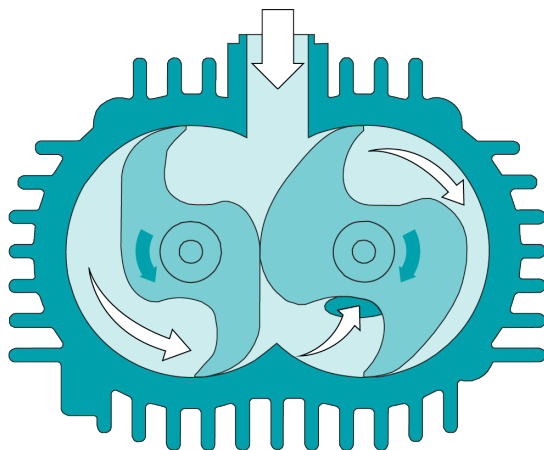


NOTE

Product origin

The serial number on the nameplate (NP) determines the manufacturing plant.

2.1 Operating Principle



The machine works on the claw principle.

The MINK is fully air-cooled.

2.2 Intended Use



WARNING

In case of foreseeable misuse outside the intended use of the machine.

Risk of injuries!

Risk of damages to the machine!

Risk of damages to the environment!

- Make sure to follow all instructions described in this manual.

The machine is intended for the suction of air and other dry, non-aggressive, non-toxic and non-explosive gases.

Conveying of other media leads to an increased thermal and/or mechanical load on the machine and is permissible only after a consultation with Busch.

The machine is designed for indoor installation, in case of outdoor installation, ask your Busch representative in order to take specific precautions.

The machine is capable of maintaining ultimate pressure, see *Technical Data* [→ 25].

The machine is suitable for continuous operation up to ultimate suction pressure of 400 hPa (mbar) abs.. By means of process control and/or vacuum relief valves it must be made sure that the minimum allowed ultimate pressure will not be underrun.

In order to avoid reverse rotation after switching off, the machine can be equipped with an optional non-return valve (NRV).

Note: The non-return valve (NRV) is no reliable means to prevent suction and shall not be used as a non-return valve or shut-off valve for the system.

If the machine needs to be maintained after shutdown:

- Provide an additional manual or automatic operated non-return valve in the suction line.

Permitted environmental conditions, see *Technical Data* [→ 25].

2.3 Design Options

The design options described in the following chapters might be combined.

The machine is available in **Standard-Version** and **Aqua-Version**.

Please refer to the nameplate (NP) to identify the corresponding design option of your machine.

2.3.1 Aqua Version

The Aqua version is a design option for conveying condensable vapors (water).

This machine is specifically equipped with:

- corrosion protection coating
- optional condensate drain (CD) in the internal silencer. (Variant 2)

2.4 Start Controls

The machine comes without start controls. The control of the machine is to be provided in the course of installation.

The machine can be equipped with a soft-starter.

2.5 Optional Accessories

2.5.1 Inlet Filter

The inlet filter protects the machine against dust and other solids in the process gas. The inlet filter is available with a paper or polyester cartridge.

2.5.2 Non-return Valve

The non-return valve (NRV) prevents the reverse rotation / suck-back after switching off the machine.

Note: The non-return valve (NRV) is no reliable means to prevent suction and shall not be used as a non-return valve or shut-off valve for the system.

2.5.3 Vacuum Relief Valve

The ultimate pressure is limited by a vacuum relief valve (VRE). The vacuum relief valve is adjusted ex-works to the minimum permitted ultimate pressure (see nameplate).

3 Transport



WARNING

Suspended load.

Risk of severe injury!

- Do not walk, stand or work under suspended loads.

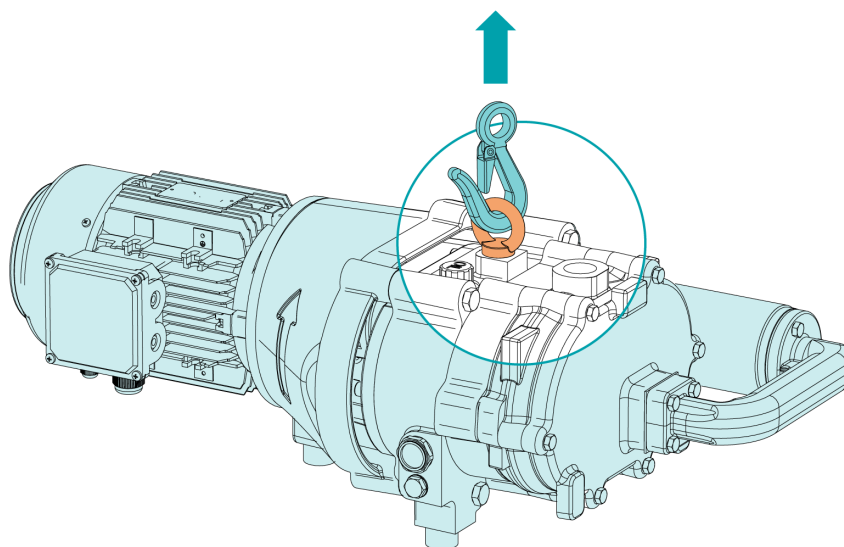


WARNING

Lifting the machine using the motor eye bolt.

Risk of severe injury!

- Do not lift the machine using the eye bolt fitted to the motor. Only lift the machine as shown.
- To find out the weight of the machine, refer to the chapter *Technical Data* [→ 25] or the name-plate (NP).
- Make sure that the eye bolt(s) (EB) is/are in faultless condition, fully screwed in and tightened by hand.



- Check the machine for transport damage.

If the machine is secured to a base plate:

- Remove the machine from the base plate.

4 Storage

- Seal all apertures with adhesive tape or reuse provided caps.

If the machine is to be stored for more than 3 months:

- Wrap the machine in a corrosion inhibiting film.
- Store the machine indoors, dry, dust free and if possible in original packaging preferably at temperatures between 0 ... 40 °C.

5 Installation

5.1 Installation Conditions

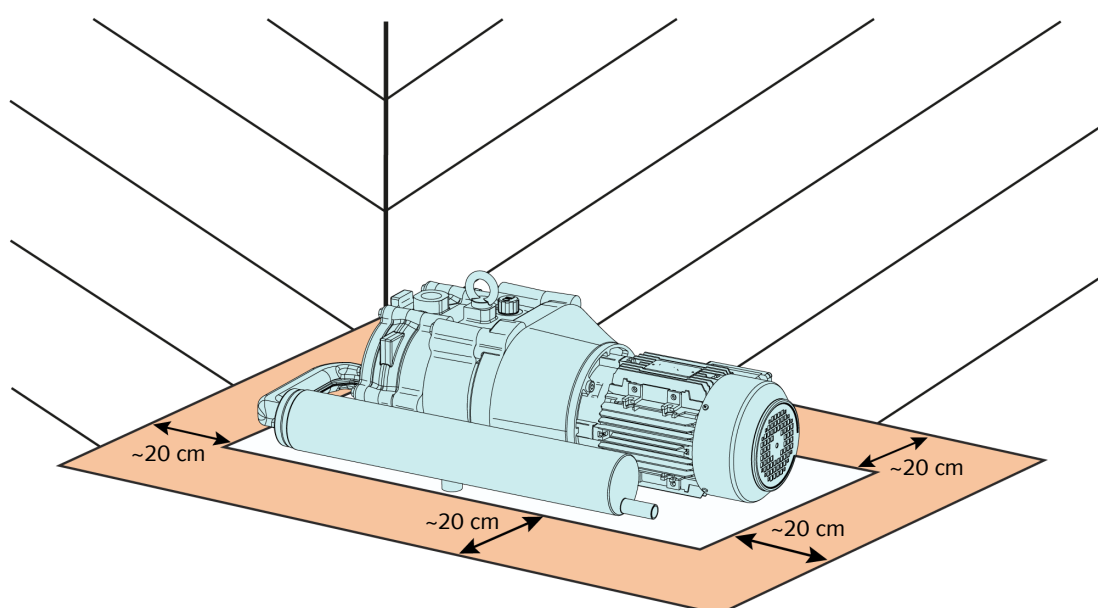
NOTICE

Use of the machine outside of the permitted installation conditions.

Risk of premature failure!

Loss of efficiency!

- Take care that the installation conditions are fully complied with.



- Make sure that the ambient conditions comply with the *Technical Data* [→ 25].
- Make sure that the environmental conditions comply with the protection class of the motor and the electrical elements.
- Make sure that the installation space or location is protected from weather and lightning.
- Make sure that the installation space or location is vented such that sufficient cooling of the machine is provided.
- Make sure that the oil sight glass (OSG) remains easily visible.
- Make sure that enough space remains for maintenance work.
- Make sure that the machine is placed or mounted horizontally, a maximum of 1° in any direction is acceptable.
- Make sure that all provided covers, guards, hoods, etc. are mounted.

If the machine is installed at an altitude greater than 1000 meters above sea level:

- Contact your Busch representative, the motor should be derated or the ambient temperature limited.

5.2 Optional Mounting Positions: Silencer Assembly Group

| | MM 1104 C VM | MM 1102 C VM |
|--------------------------------------|--------------|--------------|
| Stainless steel silencer (Variant 1) | X | - |
| Cast silencer (Variant 2) | - | X |

If the variant 1 silencer (SI) assembly group is delivered loosely.

- Install the silencer assembly group

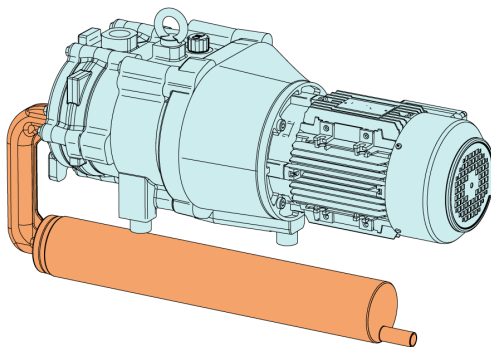
Silencer assembly group

Scope of parts:

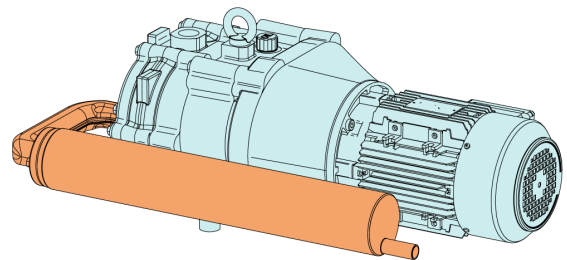
- 1x Silencer
- 1x Elbow
- 1x Silencer seal (square)
- 1x Silencer seal (round)
- 7x Hexagonal head bolt

Recommended mounting positions

Vertical mounting position



Horizontal mounting position



5.3 Connecting Lines / Pipes



WARNING

Rotating Parts.

Risk of severe injury!

- Do not operate the machine without suction / discharge connection installed.

- Remove all protective covers before installation.
- Make sure that the connection lines cause no stress on the machine's connection; if necessary use flexible joints.
- Make sure that the line size of the connection lines over the entire length is at least as large as the connections of the machine.

In case of long connection lines it is advisable to use larger line sizes in order to avoid a loss of efficiency. Seek advice from your Busch representative.

5.3.1 Suction Connection

NOTICE

Ingress of foreign objects or liquids.

Risk of damage to the machine!

If the inlet gas contains dust or other foreign solid particles:

- Install a suitable filter (5 micron or less) upstream from the machine.

Connection size(s):

- G1

Depending on the specific configuration ordered, other connection dimensions may apply.

5.3.2 Discharge Connection

NOTICE

Discharge gas flow obstructed.

Risk of damage to the machine!

- Make sure that the discharged gas will flow without obstruction. Do not shut off or throttle the discharge line or use it as a pressurized air source.

Connection size(s):

- G1

Depending on the specific configuration ordered, other connection dimensions may apply.

Unless the aspirated air is discharged to the environment right at the machine:

- Make sure that the discharge line either slopes away from the machine or provide a liquid separator or a siphon with a drain cock, so that no liquids can flow back into the machine.

5.4 Filling Oil

NOTICE

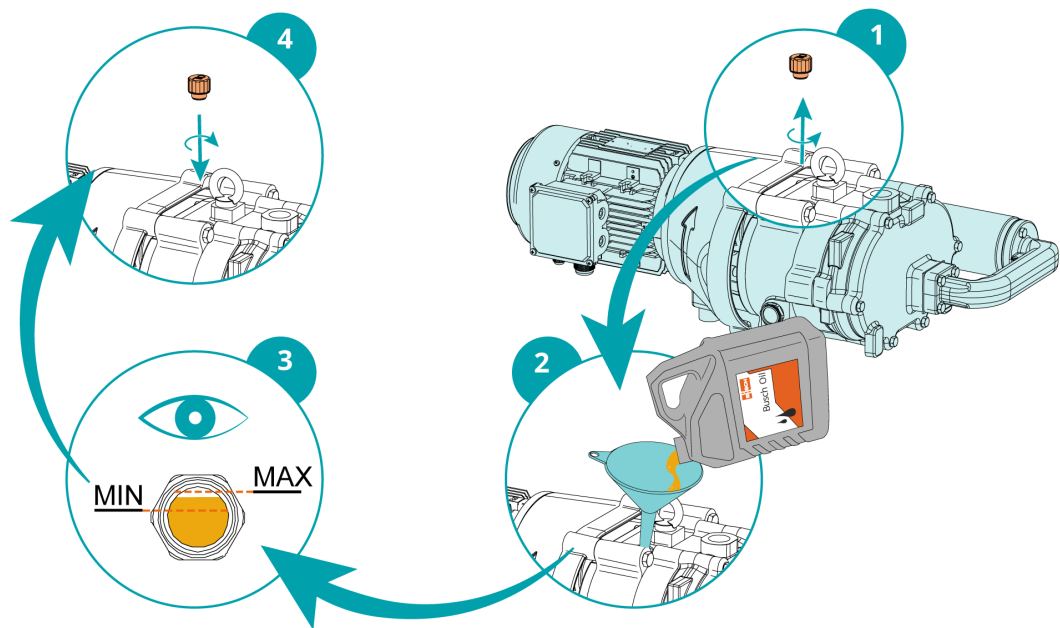
Use of an inappropriate oil.

Risk of premature failure!

Loss of efficiency!

- Only use an oil type which has previously been approved and recommended by Busch.

For oil type and oil capacity see *Technical Data* [→ 25] and *Oil* [→ 26].



The oil level should stay constant over the lifetime of the oil. If the level does fall, this indicates a leak and the machine requires repair.

6 Electrical Connection



DANGER

Live wires.

Risk of electrical shock.

- Electrical installation work must only be executed by qualified personnel.

CURRENT PROTECTION OF THE CUSTOMER INSTALLATION:



DANGER

Missing current protection.

Risk of electrical shock.

- Current protection according to EN 60204-1 must be insured by the customer on its installation.
- The electrical installation must comply with the applicable national and international standards.



NOTICE

Electromagnetic compatibility.

- Make sure that the motor of the machine will not be affected by electric or electro-magnetic disturbance from the mains, if necessary seek advice from Busch.
- Make sure that the EMC of the machine is compliant with the requirements of your supply network system, if necessary provide further interference suppression (EMC of the machine, see *EU Declaration of Conformity* [→ 27] or *UK Declaration of Conformity* [→ 28]).

6.1 Machine delivered without Control Box or Variable Speed Drive (VSD)



DANGER

Live wires.

Risk of electrical shock.

- Electrical installation work must only be executed by qualified personnel.
- Make sure that the power supply for the motor is compatible with the data on the nameplate of the motor.
- If the machine is equipped with a power connector, install a residual current protective device to protect persons in case of isolation default.
 - Busch recommends installing a type B residual protective device suitable for the electrical installation.
- Provide a lockable disconnect switch or an emergency stop switch on the power line so that the machine is completely secured in case of an emergency situation.

- Provide a lockable disconnect switch on the power line so that the machine is completely secured during maintenance tasks.
- Provide an overload protection according to EN 60204-1 for the motor.
 - Busch recommends installing a D-curve circuit breaker.
- Connect the protective earth conductor.
- Electrically connect the motor.

NOTICE

Incorrect connection.

Risk of damage to the motor!

- The wiring diagrams given below are typical. Check the inside of the terminal box for motor connection instructions/diagrams.

6.2 Wiring Diagram Three-Phase Motor

NOTICE

Incorrect direction of rotation.

Risk of damage to the machine!

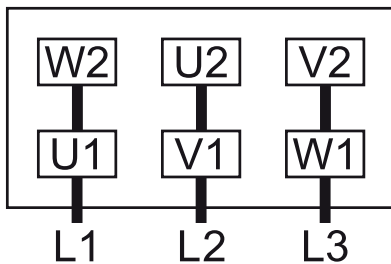
- Operation in the wrong direction of rotation can destroy the machine in a short time! Prior to start-up, ensure that the machine is operated in the right direction.

- Determine the intended direction of rotation with the arrow (stuck on or cast).

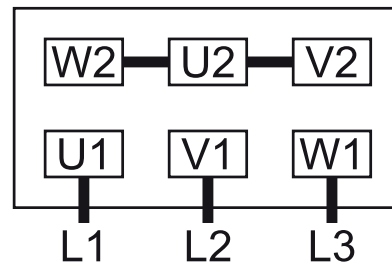
If the rotation of the motor must be changed:

- Switch any two of the motor phase wires.

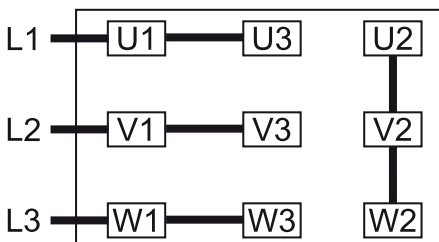
Delta connection (low voltage):



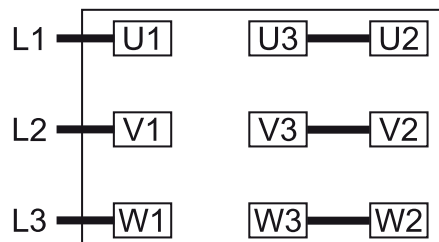
Star connection (high voltage):



Double star connection, multi-voltage motor with 9 pins (low voltage):



Star connection, multi-voltage motor with 9 pins (high voltage):



7 Commissioning

NOTICE

Lubricating a dry running machine (compression chamber).

Risk of damage to the machine!

- Do not lubricate the compression chamber of the machine with oil or grease.



CAUTION

During operation the surface of the machine may reach temperatures of more than 70°C.

Risk of burns!

- Avoid contact with the machine during and directly after operation.

CAUTION



Noise of running machine.

Risk of damage to hearing!

If persons are present in the vicinity of a non noise insulated machine over extended periods:

- Make sure that ear protection is being used.
- Make sure that the installation conditions (see *Installation Conditions* [→ 9]) are met.
- Switch on the machine.
- Make sure that the maximum permissible number of starts does not exceed 12 starts per hour. Those starts should be spread within the hour.
- Make sure that the operating conditions comply with the *Technical Data* [→ 25].

As soon as the machine is operated under normal operating conditions:

- Measure the motor current and record it as reference for future maintenance and trouble-shooting work.

8 Maintenance



DANGER

Live wires.

Risk of electrical shock.

- Electrical installation work must only be executed by qualified personnel.



WARNING



Machines contaminated with hazardous material.

Risk of poisoning!

Risk of infection!

If the machine is contaminated with hazardous material:

- Wear appropriate personal protective equipment.



CAUTION

Hot surface.

Risk of burns!

- Prior to any action requiring touching the machine, let the machine cool down first.



CAUTION

Failing to properly maintain the machine.

Risk of injuries!

Risk of premature failure and loss of efficiency!

- Maintenance work must only be executed by qualified personnel.
- Respect the maintenance intervals or ask your Busch representative for service.



NOTICE

Using inappropriate cleaners.

Risk of removing safety stickers and protective paint!

- Do not use incompatible solvents to clean the machine.

- Shut down the machine and lock against inadvertent start up.
- Vent the connected lines to atmospheric pressure.

If necessary:

- Disconnect all connections.

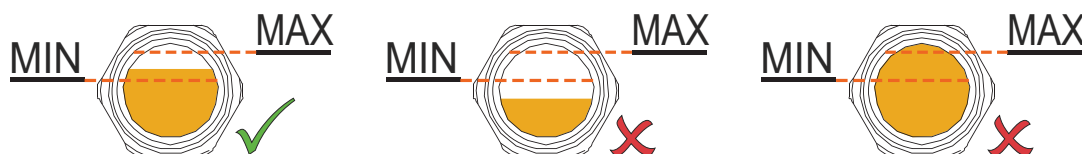
8.1 Maintenance Schedule

The maintenance intervals depend very much on the individual operating conditions. The intervals given below are considered as starting values which should be shortened or extended as appropriate. Particularly harsh applications or heavy duty operation, such as high dust loads in the environment or in the process gas, other contamination or ingress of process material, can make it necessary to shorten the maintenance intervals significantly.

| Interval | Maintenance work |
|-------------------|---|
| Monthly | In case of an inlet filter (IF) being installed: <ul style="list-style-type: none"> • Check the inlet filter cartridge, replace if necessary. |
| Every 3 months | <ul style="list-style-type: none"> • Check the oil level, see <i>Oil Level Inspection</i> [→ 17]. |
| Every 6 months | <ul style="list-style-type: none"> • Clean the machine from dust and dirt. In case of a coupling (CPL) being installed: <ul style="list-style-type: none"> • Check the coupling (CPL) for backlash and wear. |
| Every 20000 hours | <ul style="list-style-type: none"> • Change the oil. The change interval of 20000 operating hours is valid for Busch approved oils only. The change interval depends very much on the operating conditions. Borderline operation may reduce the change interval down to approximately 5000 operating hours. Other oils may reduce the change interval. |
| Every 6 years | <ul style="list-style-type: none"> • Have a major overhaul on the machine (contact Busch). |

8.2 Oil Level Inspection

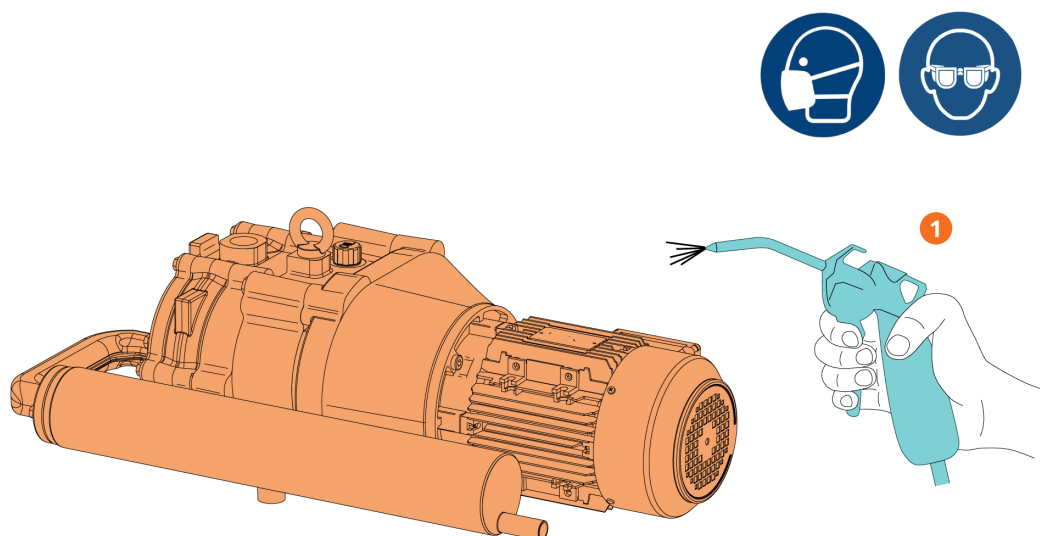
- Shut down the machine.
- When the machine is stopped, wait 1 minute before checking the oil level.



The oil level should stay constant over the lifetime of the oil. If the level does fall, this indicates a leak and the machine requires repair.

- Fill up if necessary, see *Oil Filling* [→ 11].

8.3 Cleaning from Dust and Dirt



Description

| | | | |
|---|---|--|--|
| 1 | Clean the ventilation grid, fans and cooling fins | | |
|---|---|--|--|

8.4 Oil Change

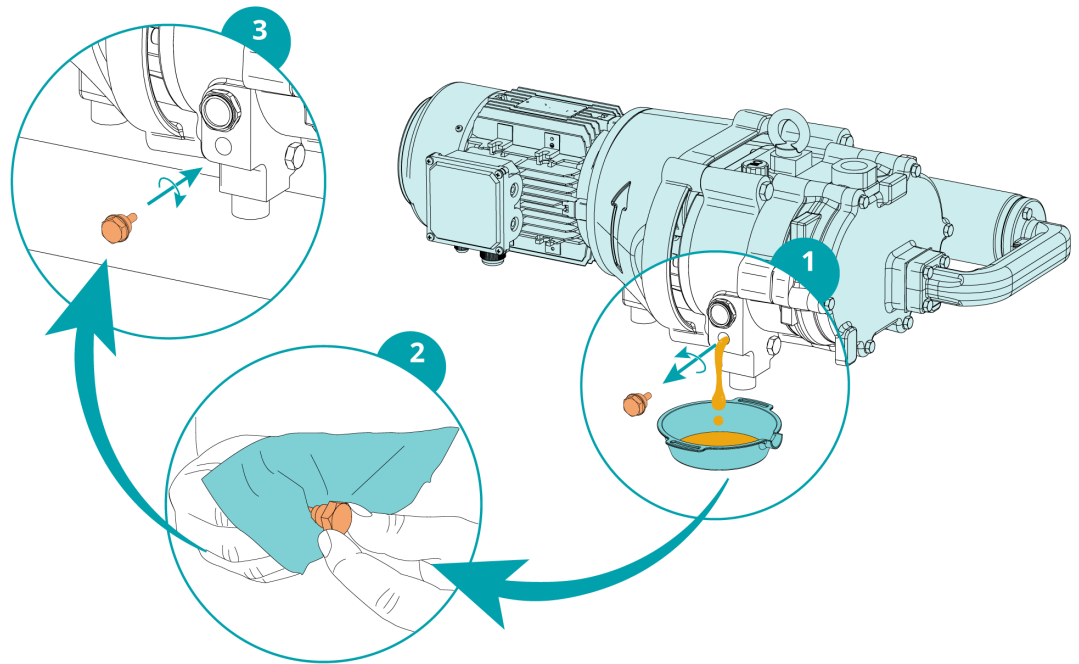
NOTICE

Use of an inappropriate oil.

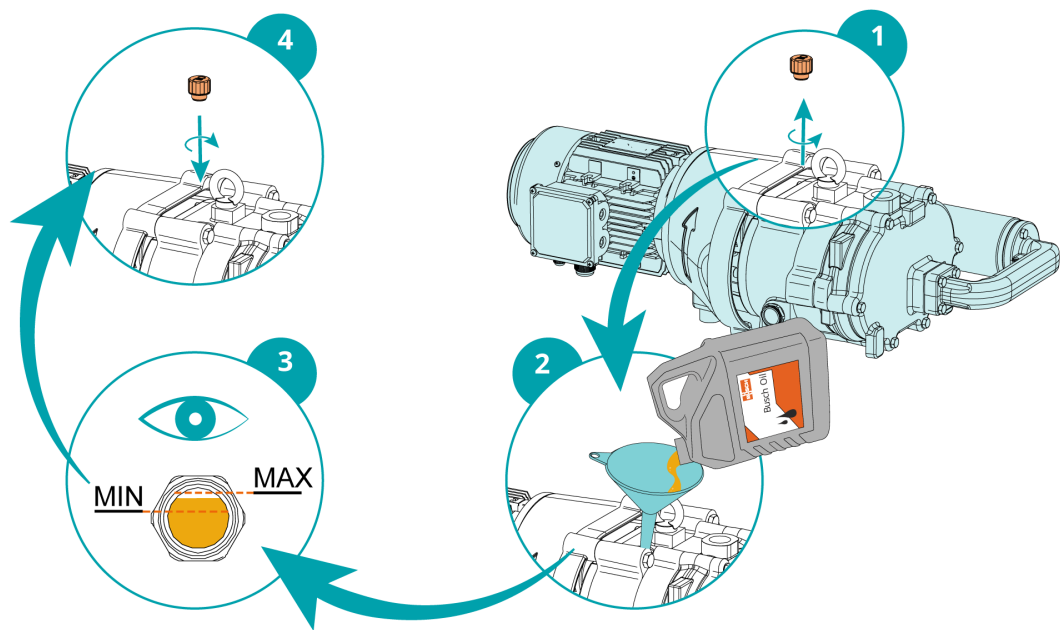
Risk of premature failure!

Loss of efficiency!

- Only use an oil type which has previously been approved and recommended by Busch.



For oil type and oil capacity see *Technical Data* [→ 25] and *Oil* [→ 26].



The oil level should stay constant over the lifetime of the oil. If the level does fall, this indicates a leak and the machine requires repair.

9 Overhaul



WARNING



Machines contaminated with hazardous material.

Risk of poisoning!

Risk of infection!

If the machine is contaminated with hazardous material:

- Wear appropriate personal protective equipment.



NOTICE

Improper assembly.

Risk of premature failure!

Loss of efficiency!

- Any dismantling of the machine that goes beyond anything that is described in this manual should be done by Busch authorized technicians.

In case of the machine having conveyed gas that was contaminated with foreign materials which are dangerous to health:

- Decontaminate the machine as much as possible and state the contamination status in a 'Declaration of Contamination'.

Busch will only accept machines that come with a completely filled in and legally binding signed 'Declaration of Contamination' (form downloadable from www.buschvacuum.com).

10 Decommissioning



DANGER

Live wires.

Risk of electrical shock.

- Electrical installation work must only be executed by qualified personnel.



CAUTION

Hot surface.

Risk of burns!

- Prior to any action requiring touching the machine, let the machine cool down first.

- Shut down the machine and lock against inadvertent start up.
- Disconnect the power supply.
- Vent the connected lines to atmospheric pressure.
- Disconnect all connections.

If the machine is going to be stored:

- See *Storage* [→ 8].

10.1 Dismantling and Disposal

- Drain and collect the oil.
- Make sure that no oil drips onto the floor.
- Separate special waste from the machine.
- Dispose of special waste in compliance with applicable regulations.
- Dispose of the machine as scrap metal.

11 Spare Parts



NOTICE

Use of non-Busch genuine spare parts.

Risk of premature failure!

Loss of efficiency!

- The exclusive use of Busch genuine spare parts and consumables is recommended for the correct functioning of the machine and to validate the warranty.

| Spare part | Description | Part no. |
|--------------------------------|--------------------------------|--------------|
| Oil fill plug (=Venting valve) | Includes appropriate seal ring | 0543 138 026 |
| Oil sight glass (OSG) | | 0583 000 001 |
| Seal ring | For oil sight glass | 0480 202 576 |
| Oil drain plug (ODP) | Includes appropriate seal ring | 0415 134 870 |

If other parts are required:

- Contact your Busch representative.

12 Troubleshooting



DANGER

Live wires.

Risk of electrical shock.

- Electrical installation work must only be executed by qualified personnel.

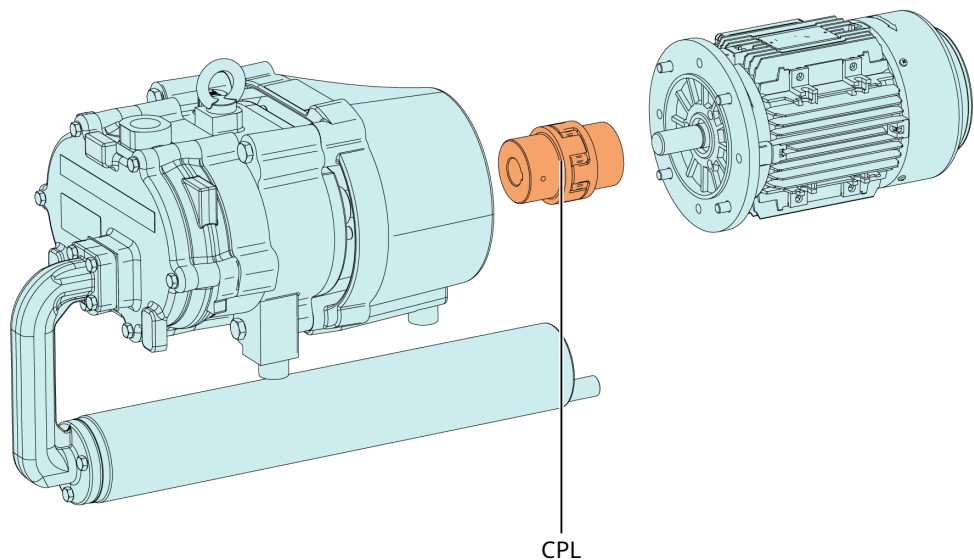


CAUTION

Hot surface.

Risk of burns!

- Prior to any action requiring touching the machine, let the machine cool down first.



| Description | |
|-------------|----------|
| CPL | Coupling |

| Problem | Possible Cause | Remedy |
|--|---|---------------------------------------|
| The machine does not start. | The motor is not supplied with the correct voltage. | • Check the power supply. |
| | The motor is defective. | • Replace the motor. |
| | The coupling (CPL) is defective. | • Replace the coupling (CPL). |
| The machine does not reach the usual pressure on the suction connection. | The inlet filter cartridge (optional) is partially clogged. | • Replace the inlet filter cartridge. |
| | Internal parts are worn or damaged. | • Repair the machine (contact Busch). |

| Problem | Possible Cause | Remedy |
|--------------------------------|---|--|
| The machine runs very noisily. | Worn coupling (CPL). | <ul style="list-style-type: none"> • Replace the coupling (CPL). |
| | Oil level too low. | <ul style="list-style-type: none"> • Top up oil. |
| | Defective bearings. | <ul style="list-style-type: none"> • Repair the machine (contact Busch). |
| The machine runs too hot. | Insufficient cooling. | <ul style="list-style-type: none"> • Remove dust and dirt from the machine . |
| | Ambient temperature too high. | <ul style="list-style-type: none"> • Observe the permitted ambient temperature, see <i>Technical Data</i> [→ 25]. |
| | Temperature of the process gases at the inlet too high. | <ul style="list-style-type: none"> • Observe the permitted gas inlet temperature, see <i>Technical Data</i> [→ 25]. |
| | Oil level too low. | <ul style="list-style-type: none"> • Top up oil. |

For the solution of problems not mentioned in the troubleshooting chart contact your Busch representative.

13 Technical Data

| | | MM 1104 C VM | | MM 1102 C VM | |
|---|-------------------|-----------------------|-----------------------|------------------------|--|
| Nominal pumping speed (50Hz/60Hz) | m ³ /h | 62 / - | 110 / - | 110 / 135 | |
| Ultimate pressure | hPa (mbar) abs. | 400 | 400 | | |
| Nominal motor rating (50Hz/60Hz) | kW | 1.3 / - | 2.2 / - | 3 / 3.4 | |
| Nominal motor speed | min ⁻¹ | 1500 | 3000 / - | 3000 / 3600 | |
| Permitted motor speed range | min ⁻¹ | 300 ... 1800 | 600 ... 3600 | | |
| Noise level at 400 hPa (mbar) abs. suction pressure (50Hz/60Hz) | dB(A) | 72 / - (SI variant 1) | 70 / - (SI variant 2) | 73 / 77 (SI variant 2) | |
| Ambient temperature range | °C | 0 ... 40* | 0 ... 40* | | |
| Inlet gas temperature range | °C | 0 ... 40* | 0 ... 40* | | |
| Ambient pressure | | Atmospheric pressure | Atmospheric pressure | | |
| Oil capacity | l | 0.5 | 0.5 | | |
| Weight approx. | kg | 78 (SI variant 1) | 140 (SI variant 2) | | |

* In case of higher or lower temperatures, please consult your Busch representative.

14 Oil

| VS 150 | |
|-----------------------------|--------------|
| ISO-VG | 150 |
| Part number 0.5 L packaging | 0831 168 695 |
| Part number 1 L packaging | 0831 164 883 |
| Part number 5 L packaging | 0831 164 884 |
| Remark | 3 |

1 = Single-phase motor; 2 = Three-phase motor; 3 = Standard oil for non-demanding applications; 4 = Food applications (H1); 5 = Anti-corrosion; 6 = Suitable for continuous operation; 7 = Not suitable for continuous operation; 8 = Improved air separation properties; 9 = Light cycle operation; 10 = Heavy duty cycle operation; 11 = Standard application up to 90°C; 12 = Suitable for Harsh application; 13 = Standard application up to 80°C

To know which oil has been filled in the machine, please refer to the nameplate (NP).

15 EU Declaration of Conformity

This Declaration of Conformity and the CE-markings affixed to the nameplate are valid for the machine within the Busch scope of delivery. This Declaration of Conformity is issued under the sole responsibility of the manufacturer.

When this machine is integrated into a superordinate machinery the manufacturer of the superordinate machinery (this can be the operating company, too) must conduct the conformity assessment process for the superordinate machine or plant, issue the Declaration of Conformity for it and affix the CE-marking.

The manufacturer is determined by the serial number:

Serial number starts with **DEM1...**

Busch Produktions GmbH
Schauinslandstr. 1
79689 Maulburg
Germany

Serial number starts with **CZM1...**

Busch Výroba CZ s.r.o.
Svárovská 620
460 01 Liberec 11
Czech Republic

declares that the machine: MINK MM 1104 C VM; MINK MM 1102 C VM

fulfill(s) all the relevant provisions from EU directives:

- 'Machinery' 2006/42/EC
- 'Electromagnetic Compatibility' (EMS) 2014/30/EU
- 'RoHS' 2011/65/EU Restriction of the use of certain hazardous substances in electrical and electronic equipment (incl. all related applicable amendments)

and comply(-ies) with the following designated standards that have been used to fulfill those provisions:

| Standards | Title of the Standard |
|------------------------------|---|
| EN ISO 12100 : 2010 | Safety of machinery - Basic concepts, general principles of design |
| EN ISO 13857 : 2019 | Safety of machinery - Safety distances to prevent hazard zones being reached by the upper and lower limbs |
| EN 1012-2 : 1996 + A1 : 2009 | Vacuum pumps - Safety requirements - Part 2 |
| EN ISO 2151 : 2008 | Acoustics - Noise test code for compressors and vacuum pumps - Engineering method (grade 2) |
| EN 60204-1 : 2018 | Safety of machinery - Electrical equipment of machines - Part 1: General requirements |
| EN IEC 61000-6-2 : 2019 | Electromagnetic compatibility (EMC) - Generic standards. Immunity for industrial environments |
| EN IEC 61000-6-4 : 2019 | Electromagnetic compatibility (EMC) - Generic standards. Emission standard for industrial environments |

Legal person authorized to compile the technical file and authorized representative in the EU (if the manufacturer is not located in the EU):

Busch Dienste GmbH
 Schauinslandstr. 1
 DE-79689 Maulburg

Maulburg, 11.07.2022



Dr. Martin Gutmann
General Manager
Busch Produktions GmbH

Liberec, 11.07.2022



Michael Dostálek
General Manager
Busch Výroba s.r.o.

16 UK Declaration of Conformity

This Declaration of Conformity and the UKCA-markings affixed to the nameplate are valid for the machine within the Busch scope of delivery. This Declaration of Conformity is issued under the sole responsibility of the manufacturer.

When this machine is integrated into a superordinate machinery the manufacturer of the superordinate machinery (this can be the operating company, too) must conduct the conformity assessment process for the superordinate machine or plant, issue the Declaration of Conformity for it and affix the UKCA-marking.

The manufacturer is determined by the serial number:

Serial number starts with **DEM1...**

Busch Produktions GmbH
Schauinslandstr. 1
79689 Maulburg
Germany

Serial number starts with **CZM1...**

Busch Výroba CZ s.r.o.
Svárovská 620
460 01 Liberec 11
Czech Republic

declares that the machine: MINK MM 1104 C VM; MINK MM 1102 C VM

fulfill(s) all the relevant provisions from UK legislations:

- Supply of Machinery (Safety) Regulations 2008
- Electromagnetic Compatibility Regulations 2016
- Restriction of the use of certain hazardous substances in Electrical and Electronic Equipment Regulations 2021

and comply(-ies) with the following designated standards that have been used to fulfill those provisions:

| Standards | Title of the Standard |
|------------------------------|---|
| EN ISO 12100 : 2010 | Safety of machinery - Basic concepts, general principles of design |
| EN ISO 13857 : 2019 | Safety of machinery - Safety distances to prevent hazard zones being reached by the upper and lower limbs |
| EN 1012-2 : 1996 + A1 : 2009 | Vacuum pumps - Safety requirements - Part 2 |
| EN ISO 2151 : 2008 | Acoustics - Noise test code for compressors and vacuum pumps - Engineering method (grade 2) |
| EN 60204-1 : 2018 | Safety of machinery - Electrical equipment of machines - Part 1: General requirements |
| EN IEC 61000-6-2 : 2019 | Electromagnetic compatibility (EMC) - Generic standards. Immunity for industrial environments |
| EN IEC 61000-6-4 : 2019 | Electromagnetic compatibility (EMC) - Generic standards. Emission standard for industrial environments |

Legal person authorized to compile the technical file and importer in the UK
 (if the manufacturer is not located in the UK):

Busch (UK) Ltd
 30 Hortonwood
 Telford - UK

Maulburg, 11.07.2022



Dr. Martin Gutmann
General Manager
Busch Produktions GmbH

Liberec, 11.07.2022



Michael Dostálek
General Manager
Busch Výroba s.r.o.

Notes

A large grid of small dots for taking notes, consisting of 20 columns and 30 rows of dots.

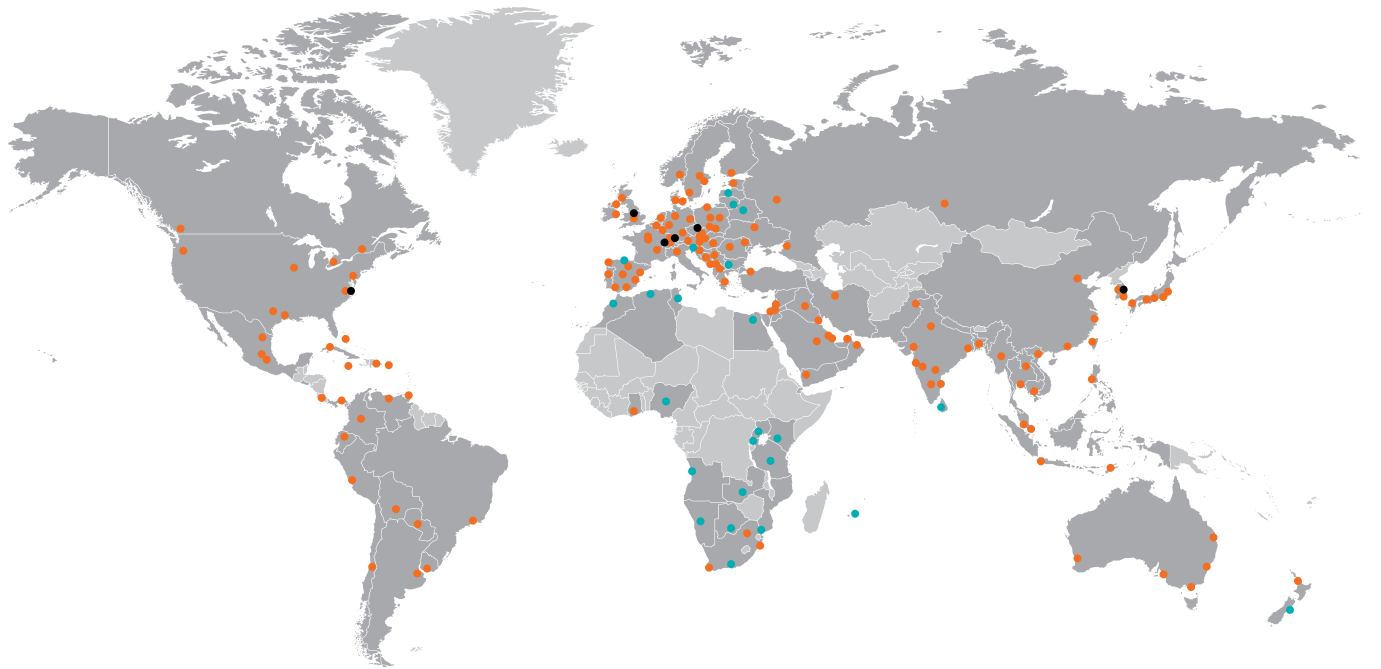




Busch

Vacuum Solutions

With a network of over 60 companies in more than 40 countries and agencies worldwide, Busch has a global presence. In every country, highly competent local personnel delivers custom-tailored support backed by a global network of expertise. Wherever you are. Whatever your business. We are there for you.



● Local representatives and distributors ● Busch companies and Busch employees ● Busch production site

www.buschvacuum.com