

# R5 KD 0012/0020 A

Oil-lubricated rotary vane vacuum pumps



VACUUM SOLUTIONS



## Compact

Direct-drive construction, reduced height and weight, specially designed for small packaging machines

## Reliable

High vapor tolerance, excellent condensation protection, optimum temperature management

## Easy servicing

Fast service routine, long service intervals, smooth surface design for easy cleaning

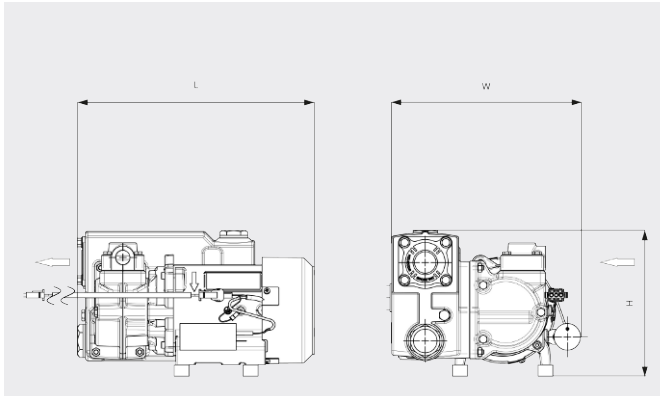
# R5 KD 0012/0020 A

Oil-lubricated rotary vane vacuum pumps



VACUUM SOLUTIONS

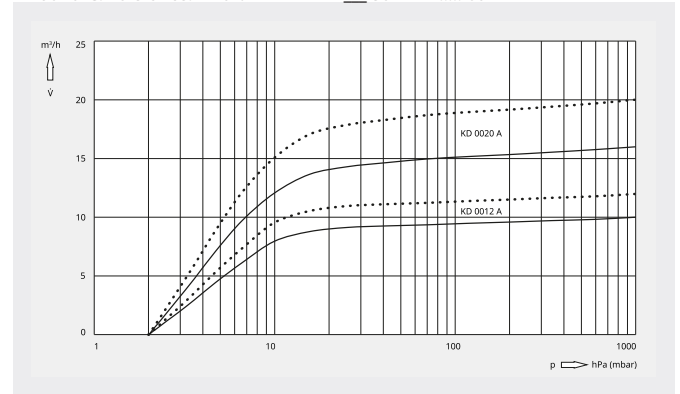
Dimensional drawing



Pumping speed

Air at 20°C. Tolerance: ± 10%

— 50 Hz ..... 60 Hz



	R5 KD 0012 A	R5 KD 0020 A
<b>Nominal pumping speed</b>	10 / 12 m <sup>3</sup> /h (50 / 60 Hz)	16 / 20 m <sup>3</sup> /h (50 / 60 Hz)
<b>Ultimate pressure</b>	2 hPa (mbar) (50 / 60 Hz)	2 hPa (mbar) (50 / 60 Hz)
<b>Nominal motor rating</b>	0.37 kW (50 / 60 Hz)	0.55 kW (50 / 60 Hz)
<b>Nominal motor speed</b>	3000 / 3600 min <sup>-1</sup> (50 / 60 Hz)	3000 / 3600 min <sup>-1</sup> (50 / 60 Hz)
<b>Sound pressure level (ISO 2151) S1 motor, KpA = 3 dB</b>	59 / 61 dB(A) (50 / 60 Hz)	61 / 62 dB(A) (50 / 60 Hz)
<b>Sound pressure level (ISO 2151) S3 motor, KpA = 3 dB</b>	55 / 61 dB(A) (50 / 60 Hz)	58 / 62 dB(A) (50 / 60 Hz)
<b>Oil capacity</b>	0.35 l	0.35 l
<b>Weight approx.</b>	15 kg	15 kg
<b>Dimensions (L x W x H) (S1 motor)</b>	310 x 253 x 190 mm	310 x 253 x 190 mm
<b>Dimensions (L x W x H) (S3 motor)</b>	265 x 248 x 190 mm	265 x 248 x 190 mm
<b>Gas inlet / outlet</b>	G ½"	G ½"

DO YOU WANT TO KNOW MORE?

Get in touch with us directly!



CONTACT FORM