

STF 0100-1000

Standing filters



VACUUM SOLUTIONS



Busch standing filters are placed upstream of the vacuum pump and protect it from damage caused by process contaminants such as dust, pastes and moderate levels of liquid.

Ideal protection

Two-stage separation process of contaminants for longer lifetime of the vacuum pump

Application-oriented

Different filter inserts for high flexibility, easy replacement of inserts according to process requirements

Easy servicing

Manual drain, removable top lid for easy removal of filter inserts, large side opening for simplified access to lower part for cleaning purposes

Accessories, spare parts and options

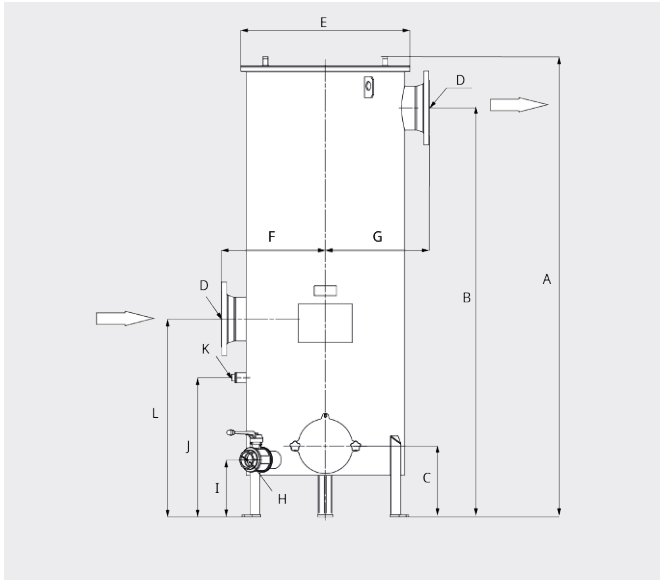
- Filtering bag for dust applications
- Demister insert for moist, liquid and sticky substances
- Fleece insert for dust and liquids (depending on size)
- Mild steel and stainless steel versions available (depending on size and filter element)
- Accessory flange with G 1" connection

STF 0100–1000

Standing filters



VACUUM SOLUTIONS



	STF 0100	STF 0250	STF 0630	STF 1000
A	695 mm	1101 mm	1439 mm	1768 mm
B	600 mm	980 mm	1320 mm	1570 mm
C	172 mm	272 mm	262 mm	272 mm
D	DN40 PN40	DN50 PN16	DN80 PN16	DN150 PN16
E	Ø 324 mm	Ø 380 mm	Ø 520 mm	Ø 650 mm
F	205 mm	250 mm	300 mm	400 mm
G	205 mm	250 mm	340 mm	400 mm
H	G 1½"	G 1½"	G 2"	G 2"
I	140 mm	205 mm	215 mm	220 mm
J	210 mm	360 mm	510 mm	535 mm
K	G 1"	G 1"	G 1"	G 1"
L	300 mm	560 mm	750 mm	760 mm

	STF 0100	STF 0250	STF 0630	STF 1000
Liquid capacity	9 l	25 l	70 l	100 l
Max. pumping speed	100 m³/h	250 m³/h	630 m³/h	1600 m³/h
Ambient temperature	5 ... 40 °C	5 ... 40 °C	5 ... 40 °C	5 ... 40 °C
Weight approx.	54 kg	75 kg	140 kg	210 kg

DO YOU WANT TO KNOW MORE?

Get in touch with us directly!



CONTACT FORM