

COBRA BC 0100/0200 F

Dry screw vacuum pumps



VACUUM SOLUTIONS



High performance

Advanced screw design, bell-shaped construction, patented self-balancing screws, excellent running qualities, perfectly suited for tasks in load lock and transfer chambers, metrology, lithography, physical vapor deposition and rapid thermal annealing

Efficient

Low cost of ownership, minimal maintenance, long service intervals, high uptime, direct water cooling, idle mode capabilities

Compact

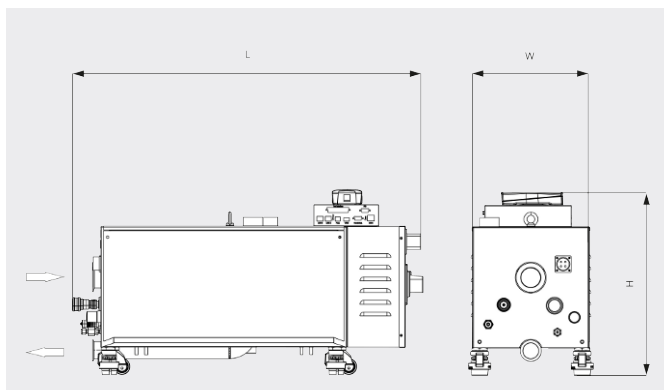
Fit-in-place design, directly mounted canned motor

COBRA BC 0100/0200 F

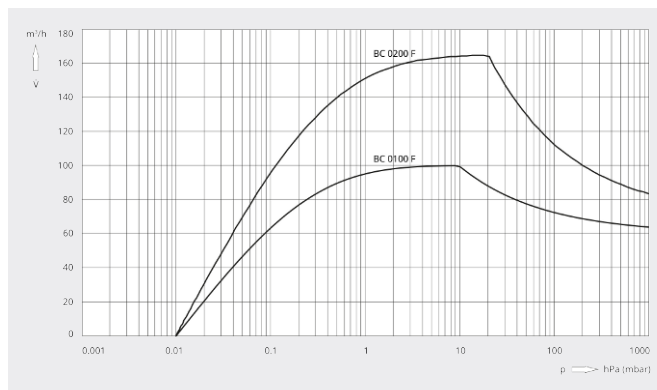
Dry screw vacuum pumps



Dimensional drawing



Pumping speed
Air at 20°C. Tolerance: ± 10%



| | COBRA BC 0100 F | COBRA BC 0200 F |
|--|------------------------|------------------------|
| Nominal pumping speed | 100 m³/h | 165 m³/h |
| Ultimate pressure | 0.01 hPa (mbar) | 0.01 hPa (mbar) |
| Nominal motor rating | 1.5 kW | 2.9 kW |
| Power consumption at ultimate pressure / idle mode | 1.3 kW | 1.6 kW |
| Nominal motor speed | 3600 min ⁻¹ | 4570 min ⁻¹ |
| Noise level (ISO 2151) | 58 dB(A) | 60 dB(A) |
| Water consumption | min. 1.0 l/min | min. 2.0 l/min |
| Nitrogen consumption | 0 - 50 l/min | 0 - 50 l/min |
| Weight approx. | 120 kg | 130 kg |
| Dimensions (L x W x H) | 829 x 304 x 362 mm | 806 x 304 x 392 mm |
| Gas inlet / outlet | DN 50 KF / DN 40 KF | DN 50 KF / DN 40 KF |

DO YOU WANT TO KNOW MORE?

Get in touch with us directly!



CONTACT FORM