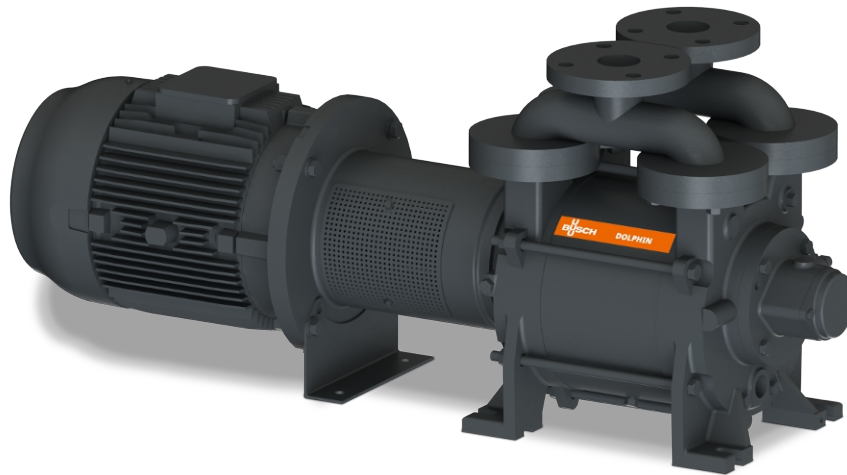


DOLPHIN LA 0224-0475 A

Liquid ring vacuum pumps



VACUUM SOLUTIONS



Robust

Proven technology, durable single-stage construction

Reliable

Extremely high vapor and particle tolerance

Flexible

Wide range of construction materials, including cast iron (EN-GJL-200), many grades of stainless steel and even titanium, ATEX-certified version available (Cat 1(i)/2(o) IIC T5), different operating fluids possible, operation as compressor possible

Accessories

- Partial or total recirculation systems
- Liquid separator
- Cavitation protection
- Heat exchanger
- Gas ejector
- Wide selection of motors
- Non-return valves
- Vacuum relief valves

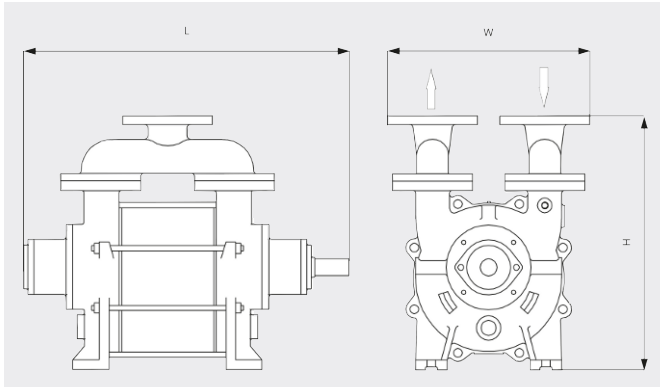
DOLPHIN LA 0224-0475 A

Liquid ring vacuum pumps



VACUUM SOLUTIONS

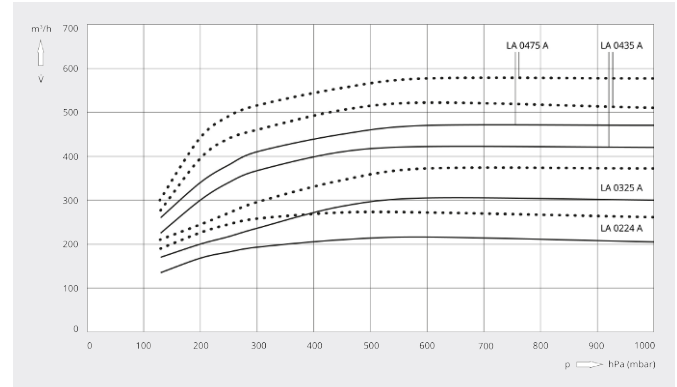
Dimensional drawing



Pumping speed

Air at 20°C. Tolerance: ± 10%

— 50 Hz 60 Hz



	DOLPHIN LA 0224 A	DOLPHIN LA 0325 A	DOLPHIN LA 0435 A	DOLPHIN LA 0475 A
Nominal pumping speed	220 m³/h (50 / 60 Hz)	320 m³/h (50 / 60 Hz)	430 m³/h (50 / 60 Hz)	470 m³/h (50 / 60 Hz)
Ultimate pressure	130 hPa (mbar)	150 hPa (mbar)	150 hPa (mbar)	130 hPa (mbar)
Nominal motor rating	5.5 kW	11 kW	11 kW	18.5 kW
Nominal motor speed	1450 min ⁻¹	1450 min ⁻¹	1450 min ⁻¹	1450 min ⁻¹
Noise level (ISO 2151)	72 dB(A)	75 dB(A)	75 dB(A)	74 dB(A)
Weight approx.	94 kg	159 kg	159 kg	210 kg
Dimensions (L x W x H)	(547 – 713) x 270 x 450 mm	(626 – 817) x 300 x 387 mm	(667 – 857) x 300 x 520 mm	797 x 300 x 520 mm
Gas inlet / outlet	DN 50 PN 10 / DN 50 PN 10	DN 50 PN 10 / DN 50 PN 10	DN 65 PN 10 / DN 65 PN 10	DN 65 PN 10 / DN 65 PN 10

DO YOU WANT TO KNOW MORE?

Get in touch with us directly!



CONTACT FORM