

APOVAC AP 0260/0330 A

Vacuum systems for chemical and pharmaceutical industries



Proven performance

Standard vacuum system with proven DOLPHIN liquid ring vacuum pumps, specially designed for major processes in chemical and pharmaceutical industries, such as distillation, crystallization, filtration, vacuum drying

Robust

Handling of toxic, corrosive or explosive gases, extremely high vapor and particle tolerance, for harsh process conditions, double condensation to ensure minimum carryover and maximum solvent recovery

Cost-effective

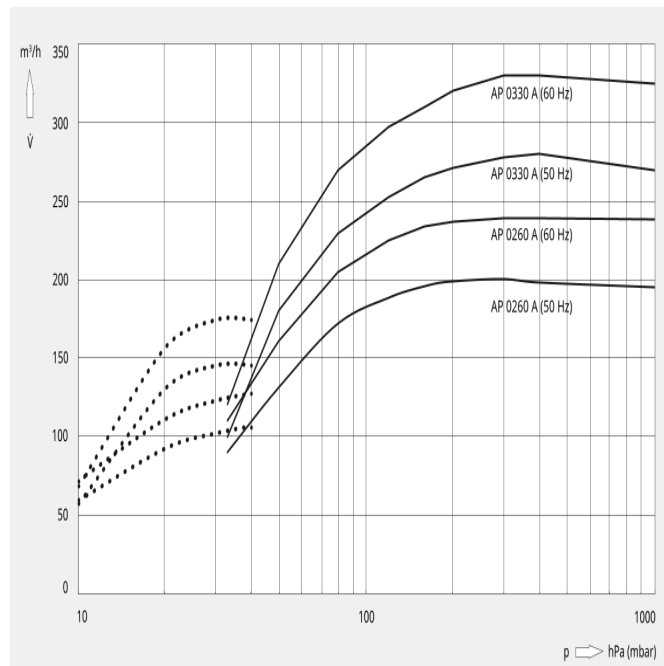
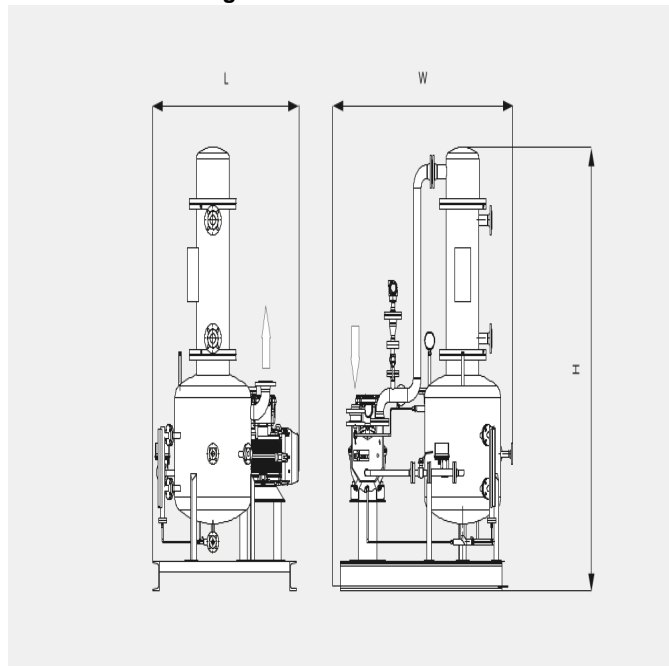
Low operating costs, high uptime, minimal maintenance, long service life

APOVAC AP 0260/0330 A

Vacuum systems for chemical and pharmaceutical industries



Dimensional drawing



The following technical values refer to ISO 50 Hz

	AP 0260 A	AP 0330 A
Nominal pumping speed	200 m³/h	280 m³/h
Ultimate pressure	33 hPa (mbar)	33 hPa (mbar)
Nominal motor rating	5.5 kW	7.5 kW
Nominal motor speed	1450 min ⁻¹	1450 min ⁻¹
Weight approx.	700 kg	750 kg
Dimensions (L x W x H)	1400 x 1300 x 2300 mm	1400 x 1300 x 2300 mm
Gas inlet	DN 50	DN 50
Gas outlet	DN 65	DN 65

The following technical values refer to ISO 60 Hz

	AP 0260 A	AP 0330 A
Nominal pumping speed	240 m³/h	330 m³/h
Ultimate pressure	10 (with optional ejector) hPa (mbar)	10 (with optional ejector) hPa (mbar)

APOVAC AP 0260/0330 A

Vacuum systems for chemical and pharmaceutical industries



VACUUM SOLUTIONS

	AP 0260 A	AP 0330 A
Nominal motor rating	7.5 kW	11.0 kW
Nominal motor speed	1750 min ⁻¹	1750 min ⁻¹
Weight approx.	700 kg	750 kg
Dimensions (L x W x H)	1400 x 1300 x 2300 mm	1400 x 1300 x 2300 mm
Gas inlet	DN 50	DN 50
Gas outlet	DN 65	DN 65

DO YOU WANT TO KNOW MORE

Please contact us!
info@busch.ca or +1 800 363 63 60



CONTACT FORM



CALL US NOW