

# COBRA NX 0950 A

Dry screw vacuum pump



VACUUM SOLUTIONS



## High performance

Advanced screw design, patented self-balancing screws, excellent running qualities, perfectly suited for vacuum drying, freeze drying, degassing, heat treatment, thermoforming and many more

## Efficient

Intelligent variable speed drive, low cost of ownership, minimal maintenance, long service intervals, high uptime, efficient water cooling

## Robust

High vapor and particle tolerance, self-draining

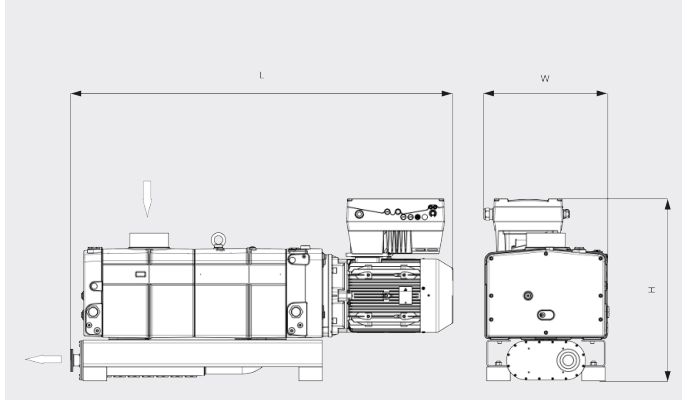
# COBRA NX 0950 A

Dry screw vacuum pump



VACUUM SOLUTIONS

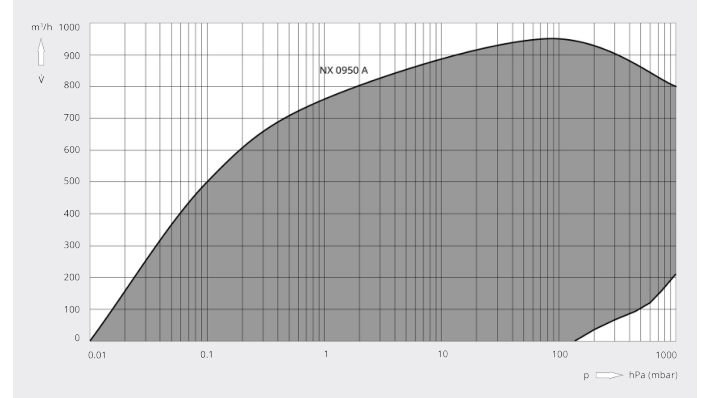
Dimensional drawing



Pumping speed

Air at 20°C. Tolerance:  $\pm 10\%$

■ Operating range



COBRA NX 0950 A	
Nominal pumping speed	max. 950 m³/h
Ultimate pressure	0.01 hPa (mbar)
Nominal motor rating	18.5 kW
Nominal motor speed	4320 min <sup>-1</sup>
Noise level (ISO 2151)	75 dB(A)
Weight approx.	1000 kg
Dimensions (L x W x H)	1672 x 526 x 776 mm
Gas inlet / outlet	G3" + ISO-K DN100 / ISO-K DN100

## DO YOU WANT TO KNOW MORE?

Get in touch with us directly!  
[info@busch.ca](mailto:info@busch.ca) or +1 800 363 6360



CONTACT FORM



CALL NOW