

# SECO SV 1010-1040 C/D

Dry-running rotary vane vacuum pumps



VACUUM SOLUTIONS



## Compact

Direct-drive construction

## Reliable

Robust construction, proven performance, self-lubricating vanes, no operating fluids

## High performance

High performance Aerodur 274 Zirkon vanes, extended lifetime, extremely resistant to wear and humidity

Accessories, spare parts and options

- Inlet filter
- Vacuum regulation valve
- Non-return valve (inlet)
- Hose nipple

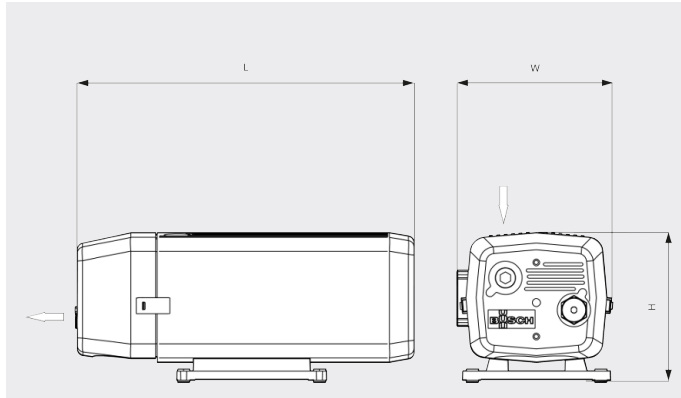
# SECO SV 1010-1040 C/D

Dry-running rotary vane vacuum pumps



VACUUM SOLUTIONS

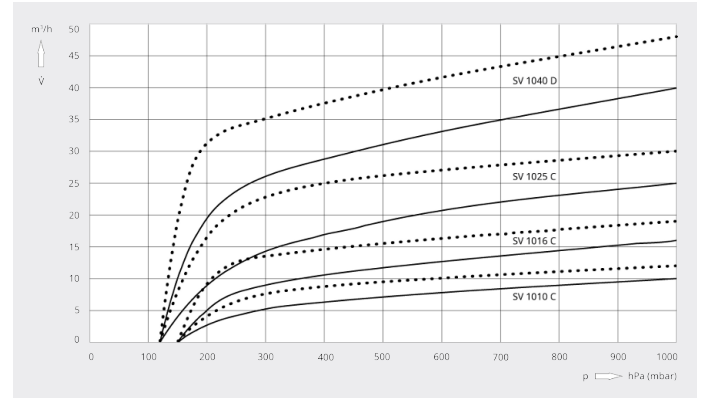
Dimensional drawing



Pumping speed

Air at 20°C. Tolerance: ± 10%

— 50 Hz ..... 60 Hz



|                               | SECO SV 1010 C                             | SECO SV 1016 C                             | SECO SV 1025 C                             | SECO SV 1040 D                             |
|-------------------------------|--|--|--|--|
| <b>Nominal pumping speed</b>  | 10 / 12 m³/h (50 / 60 Hz)                  | 16 / 19 m³/h (50 / 60 Hz)                  | 25 / 30 m³/h (50 / 60 Hz)                  | 40 / 48 m³/h (50 / 60 Hz)                  |
| <b>Ultimate pressure</b>      | 150 hPa (mbar) (50 / 60 Hz)                | 150 hPa (mbar) (50 / 60 Hz)                | 120 hPa (mbar) (50 / 60 Hz)                | 120 hPa (mbar) (50 / 60 Hz)                |
| <b>Nominal motor rating</b>   | 0.37 kW (50 / 60 Hz)                       | 0.55 kW (50 / 60 Hz)                       | 0.9 kW (50 / 60 Hz)                        | 1.25 kW (50 / 60 Hz)                       |
| <b>Nominal motor speed</b>    | 1500 / 1800 min <sup>-1</sup> (50 / 60 Hz) | 1500 / 1800 min <sup>-1</sup> (50 / 60 Hz) | 1500 / 1800 min <sup>-1</sup> (50 / 60 Hz) | 1500 / 1800 min <sup>-1</sup> (50 / 60 Hz) |
| <b>Noise level (ISO 2151)</b> | 58 / 61 dB(A) (50 / 60 Hz)                 | 60 / 65 dB(A) (50 / 60 Hz)                 | 66 / 65 dB(A) (50 / 60 Hz)                 | 65 / 64 dB(A) (50 / 60 Hz)                 |
| <b>Weight approx.</b>         | 21 kg                                      | 25 kg                                      | 33 kg                                      | 38 kg                                      |
| <b>Dimensions (L x W x H)</b> | 413 x 239 x 224 mm                         | 440 x 239 x 224 mm                         | 499 x 253 x 246 mm                         | 554 x 257 x 246 mm                         |
| <b>Gas inlet / outlet</b>     | G ½" / G ½"                                | G ½" / G ½"                                | G ¾" / G ¾"                                | G ¾" / G ¾"                                |

## DO YOU WANT TO KNOW MORE?

Get in touch with us directly!  
[info@busch.ca](mailto:info@busch.ca) or +1 800 363 6360



CONTACT FORM



CALL NOW