

MINK MI 1502 BP

Dry claw compressors



VACUUM SOLUTIONS



Flexible

Designed for numerous industrial applications of up to 2.0 bar(g), inlet filter and pressure relief valve as standard

Reliable

Air cooling, constantly high volume flow throughout the entire life cycle

Nearly maintenance-free

Dry and contact-free compression

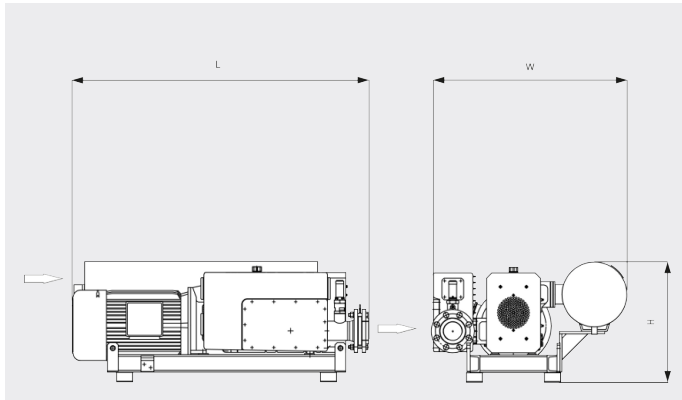
MINK MI 1502 BP

Dry claw compressors



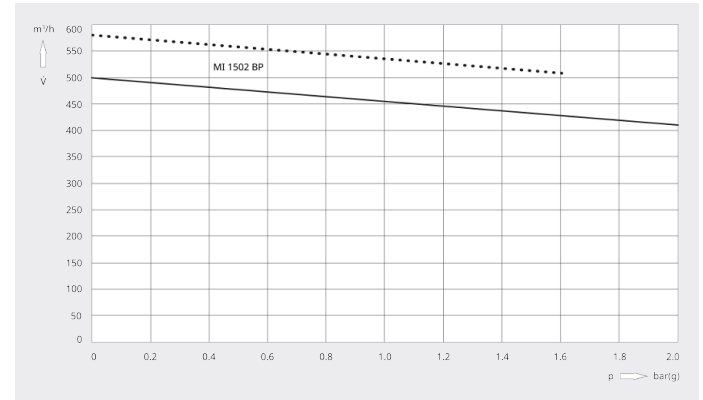
VACUUM SOLUTIONS

Dimensional drawing



Volume flow

Air at 20°C. Tolerance: ± 10%



	MINK MI 1502 BP	MINK MI 1502 BP	MINK MI 1502 BP	MINK MI 1502 BP
Volume flow (at inlet)	500 / 580 m³/h (50 / 60 Hz)	500 / 580 m³/h (50 / 60 Hz)	500 / 580 m³/h (50 / 60 Hz)	500 / 580 m³/h (50 / 60 Hz)
Overpressure	0.8 / 0.5 bar(g) (50 / 60 Hz)	1.2 / 1.0 bar(g) (50 / 60 Hz)	1.6 / 1.3 bar(g) (50 / 60 Hz)	2.0 / 1.6 bar(g) (50 / 60 Hz)
Nominal motor rating	15.0 / 17.3 kW (50 / 60 Hz)	18.5 / 22.0 kW (50 / 60 Hz)	22.0 / 25.0 kW (50 / 60 Hz)	25.0 / 27.5 kW (50 / 60 Hz)
Nominal motor speed	3000 / 3600 min ⁻¹ (50 / 60 Hz)	3000 / 3600 min ⁻¹ (50 / 60 Hz)	3000 / 3600 min ⁻¹ (50 / 60 Hz)	3000 / 3600 min ⁻¹ (50 / 60 Hz)
Noise level (ISO 2151)	87 / 92 dB(A) (50 / 60 Hz)	87 / 92 dB(A) (50 / 60 Hz)	87 / 92 dB(A) (50 / 60 Hz)	87 / 92 dB(A) (50 / 60 Hz)
Weight approx.	390 kg	390 kg	390 kg	390 kg
Dimensions (L x W x H)	1500 x 905 x 580 mm	1500 x 905 x 580 mm	1500 x 905 x 580 mm	1500 x 905 x 580 mm
Gas outlet	G 3"	G 3"	G 3"	G 3"

MINK MI 1502 BP

Dry claw compressors



VACUUM SOLUTIONS

MINK MI 1502 BP	
Volume flow	341.4 ACFM
Overpressure (at inlet)	7.3 PSIG
Nominal motor rating	40 HP
Nominal motor speed	3600 RPM
Noise level (ISO 2151)	92 dB(A)
Weight approx.	1350 Lbs.
Dimensions (L x W x H)	63.7 x 35.6 x 22.8 inches
Gas outlet	3" NPT

DO YOU WANT TO KNOW MORE?

Get in touch with us directly!
info@busch.ca or +1 800 363 6360



CONTACT FORM



CALL NOW