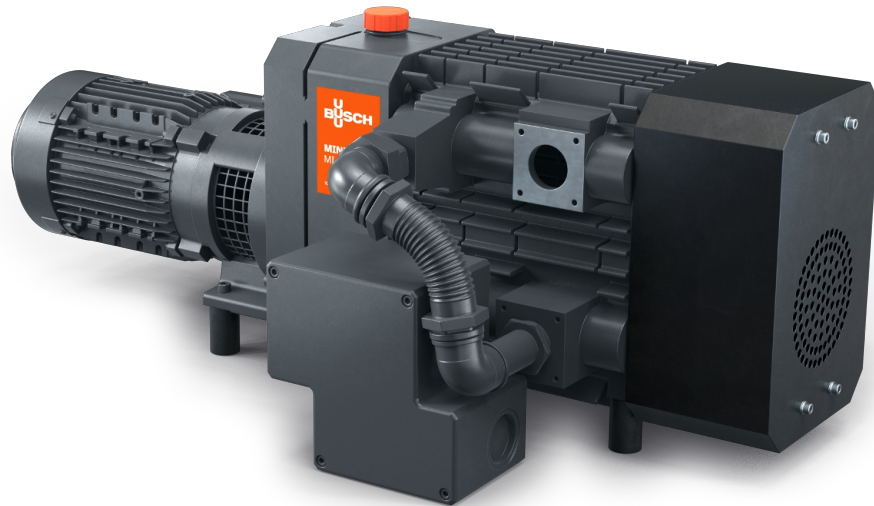


MINK MI 2124/2122 BV

Dry claw vacuum pumps



VACUUM SOLUTIONS



Efficient

Substantial energy savings compared to conventional vacuum generators, minimized operating costs

Nearly maintenance-free

Dry and contact-free operation

High performance

Low ultimate pressure due to two-stage construction

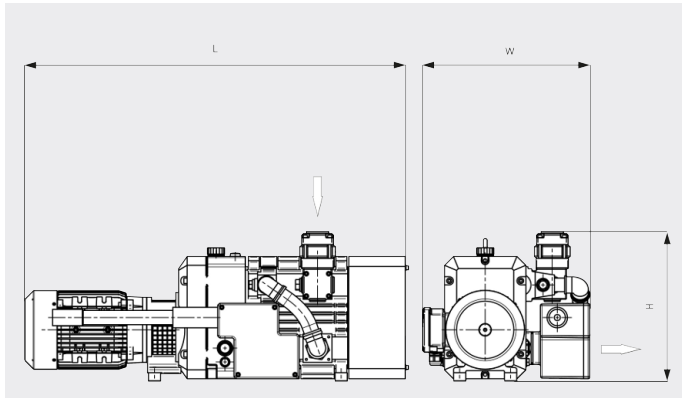
MINK MI 2124/2122 BV

Dry claw vacuum pumps



VACUUM SOLUTIONS

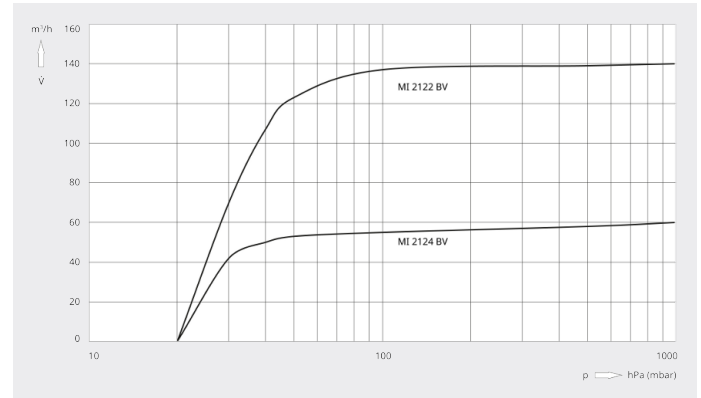
Dimensional drawing



Pumping speed

Air at 20°C. Tolerance: ± 10%

— 50 Hz 60 Hz



	MINK MI 2124 BV	MINK MI 2122 BV
Nominal pumping speed	50 / 60 m³/h (50 / 60 Hz)	120 / 140 m³/h (50 / 60 Hz)
Ultimate pressure	20 hPa (mbar) (50 / 60 Hz)	20 hPa (mbar) (50 / 60 Hz)
Nominal motor rating	1.5 kW (50 Hz) 2.0 / 2.4 kW (50 / 60 Hz)	4.2 kW (50 Hz) 5.1 / 6.8 kW (50 / 60 Hz)
Nominal motor speed	1500 / 1800 min ⁻¹ (50 / 60 Hz)	3000 / 3600 min ⁻¹ (50 / 60 Hz)
Noise level (ISO 2151)	75 / 77 dB(A) (50 / 60 Hz)	81 / 84 dB(A) (50 / 60 Hz)
Weight approx.	135 kg	145 kg
Dimensions (L x W x H)	940 x 415 x 370 mm	970 x 430 x 370 mm
Gas inlet / outlet	G 1½" / G 1"	G 1½" / G 1"

MINK MI 2124/2122 BV

Dry claw vacuum pumps



VACUUM SOLUTIONS

	MINK MI 2124 BV	MINK MI 2122 BV
Nominal pumping speed	38 ACFM	85 ACFM
Ultimate pressure	15 TORR	15 TORR
Nominal motor rating	3 HP	7.5 HP
Nominal motor speed	1800 RPM	3600 RPM
Noise level (ISO 2151)	77 dB(A)	84 dB(A)
Weight approx.	325 Lbs.	352 Lbs.
Dimensions (L x W x H)	30.3 x 9 x 15.7 inches	42.3 x 9 x 15.7 inches
Gas inlet / outlet	1¼" / 1"	1¼" / 1"

DO YOU WANT TO KNOW MORE?

Get in touch with us directly!
info@busch.ca or +1 800 363 6360



CONTACT FORM



CALL NOW