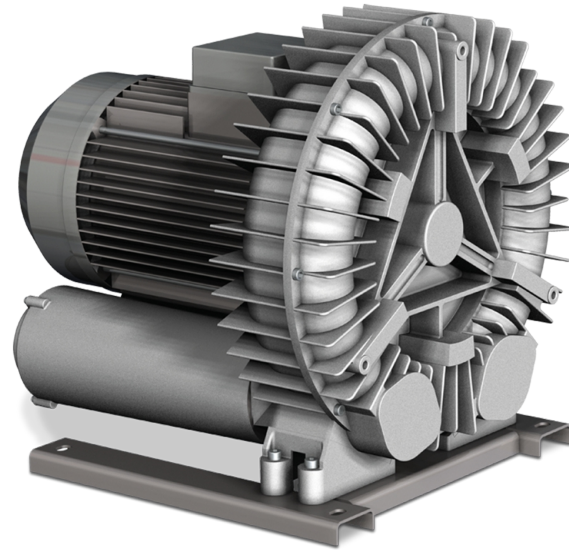


# SAMOS SI 1500/2200 E1

Side channel blowers



VACUUM SOLUTIONS



## Reliable

Robust and light-weight construction, effective air cooling, long lifetime, nearly maintenance-free, dry and contact-free operating principle, protection against overheating

## Flexible

Vacuum or overpressure operation, horizontal and vertical installation

## Quiet

Low noise level, fully enclosed unit, internal silencers

### Accessories

- Vacuum relief valves
- Pressure relief valves
- Additional silencers

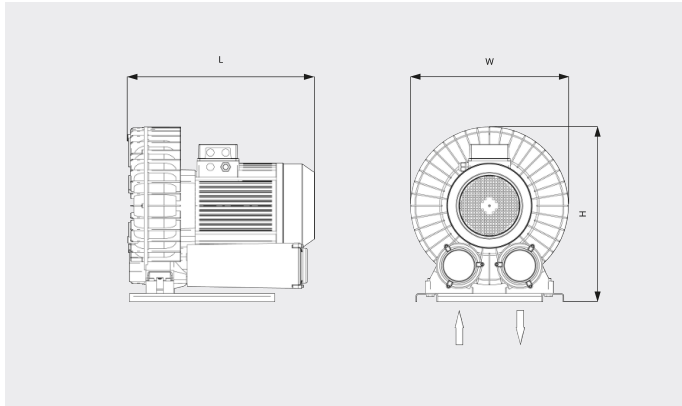
# SAMOS SI 1500/2200 E1

Side channel blowers



VACUUM SOLUTIONS

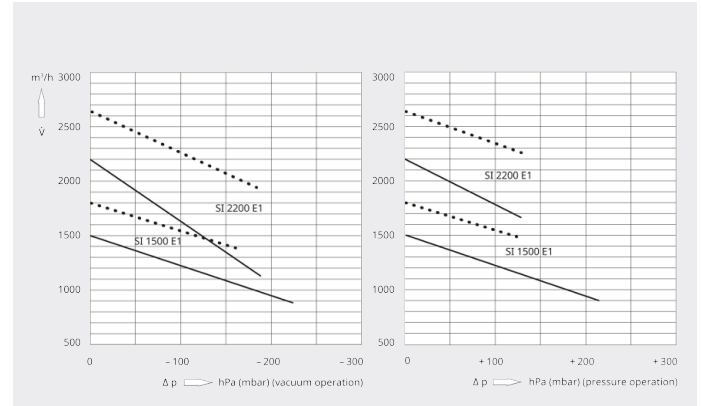
Dimensional drawing



Pumping speed/Volume flow

Air at 20°C. Tolerance: ± 10%

— 50 Hz ..... 60 Hz



	SAMOS SI 1500 E1	SAMOS SI 2200 E1
<b>Nominal pumping speed/volume flow</b>	1500 / 1800 m³/h (50 / 60 Hz)	2200 / 2640 m³/h (50 / 60 Hz)
<b>Max. differential pressure (vacuum version)</b>	-225 / -155 hPa (mbar) (50 / 60 Hz)	-185 / -180 hPa (mbar) (50 / 60 Hz)
<b>Max. differential pressure (overpressure version)</b>	+210 / +125 hPa (mbar) (50 / 60 Hz)	+130 hPa (mbar) (50 / 60 Hz)
<b>Nominal motor rating</b>	15.0 / 17.3 kW (50 / 60 Hz)	20.0 / 25.2 kW (50 / 60 Hz)
<b>Nominal motor speed</b>	3000 / 3600 min <sup>-1</sup> (50 / 60 Hz)	3000 / 3600 min <sup>-1</sup> (50 / 60 Hz)
<b>Noise level (ISO 3744)</b>	82 / 84 dB(A) (50 / 60 Hz)	82 / 84 dB(A) (50 / 60 Hz)
<b>Weight approx.</b>	155 kg	166 kg
<b>Dimensions (L x W x H)</b>	654 x 570 x 633 mm	739 x 600 x 610 mm
<b>Gas inlet / outlet</b>	G 4" / G 4"	Hose connection Ø 150 mm

## DO YOU WANT TO KNOW MORE?

Get in touch with us directly!  
[info@busch.ca](mailto:info@busch.ca) or +1 800 363 6360



CONTACT FORM



CALL NOW