

# SAMOS SB 0310-1100 D2

Side channel blowers



VACUUM SOLUTIONS



## Reliable

Robust construction, effective air cooling, long lifetime, nearly maintenance-free, dry and contact-free operating principle, high differential pressures thanks to two compression stages

## Flexible

Vacuum or overpressure operation, horizontal and vertical installation, various design options and ATEX-certified versions available

## Quiet

Very low noise level, fully enclosed unit, internal silencers

### Accessories

- Vacuum relief valves
- Pressure relief valves
- Additional silencers
- Thermal protection (bimetal switch or PTC-thermistor)

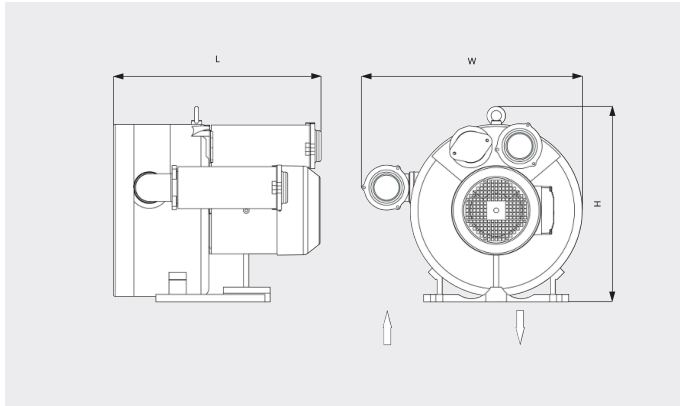
# SAMOS SB 0310-1100 D2

Side channel blowers



VACUUM SOLUTIONS

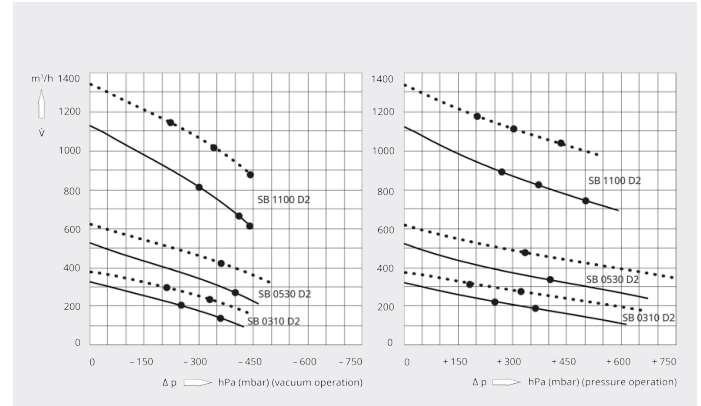
Dimensional drawing



Pumping speed/Volume flow

Air at 20°C. Tolerance: ± 10%

— 50 Hz ..... 60 Hz



	SAMOS SB 0310 D2	SAMOS SB 0310 D2	SAMOS SB 0530 D2
<b>Nominal pumping speed/volume flow</b>	320 / 370 m <sup>3</sup> /h (50 / 60 Hz)	320 / 370 m <sup>3</sup> /h (50 / 60 Hz)	520 / 620 m <sup>3</sup> /h (50 / 60 Hz)
<b>Max. differential pressure (vacuum version)</b>	-250 / -210 hPa (mbar) (50 / 60 Hz)	-360 / -330 hPa (mbar) (50 / 60 Hz)	-400 / -360 hPa (mbar) (50 / 60 Hz)
<b>Max. differential pressure (overpressure version)</b>	+250 / +180 hPa (mbar) (50 / 60 Hz)	+360 / +320 hPa (mbar) (50 / 60 Hz)	+400 / +330 hPa (mbar) (50 / 60 Hz)
<b>Nominal motor rating</b>	3.0 / 3.4 kW (50 / 60 Hz)	4.3 / 4.8 kW (50 / 60 Hz)	7.5 / 8.6 kW (50 / 60 Hz)
<b>Nominal motor speed</b>	2850 / 3450 min <sup>-1</sup> (50 / 60 Hz)	2850 / 3450 min <sup>-1</sup> (50 / 60 Hz)	2850 / 3450 min <sup>-1</sup> (50 / 60 Hz)
<b>Noise level (ISO 3744)</b>	73 / 75 dB(A) (50 / 60 Hz)	73 / 75 dB(A) (50 / 60 Hz)	74 / 78 dB(A) (50 / 60 Hz)
<b>Weight approx.</b>	51 kg	53 kg	178 kg
<b>Dimensions (L x W x H)</b>	528 x 656 x 420 mm	528 x 656 x 420 mm	601 x 639 x 516 mm
<b>Gas inlet / outlet</b>	G 2" / G 2"	G 2" / G 2"	G 2½" / G 2½"

# SAMOS SB 0310-1100 D2

Side channel blowers



VACUUM SOLUTIONS

	SAMOS SB 1100 D2	SAMOS SB 1100 D2	SAMOS SB 1100 D2
Nominal pumping speed/volume flow	1120 / 1340 m <sup>3</sup> /h (50 / 60 Hz)	1120 / 1340 m <sup>3</sup> /h (50 / 60 Hz)	1120 / 1340 m <sup>3</sup> /h (50 / 60 Hz)
Max. differential pressure (vacuum version)	-300 / -200 hPa (mbar) (50 / 60 Hz)	-410 / -340 hPa (mbar) (50 / 60 Hz)	-440 hPa (mbar) (50 / 60 Hz)
Max. differential pressure (overpressure version)	+270 / +200 hPa (mbar) (50 / 60 Hz)	+370 / +300 hPa (mbar) (50 / 60 Hz)	+500 / +430 hPa (mbar) (50 / 60 Hz)
Nominal motor rating	12.5 / 14.5 kW (50 / 60 Hz)	16.5 / 19.0 kW (50 / 60 Hz)	20.0 / 23.0 kW (50 / 60 Hz)
Nominal motor speed	2850 / 3450 min <sup>-1</sup> (50 / 60 Hz)	2850 / 3450 min <sup>-1</sup> (50 / 60 Hz)	2850 / 3450 min <sup>-1</sup> (50 / 60 Hz)
Noise level (ISO 3744)	74 / 84 dB(A) (50 / 60 Hz)	74 / 84 dB(A) (50 / 60 Hz)	74 / 84 dB(A) (50 / 60 Hz)
Weight approx.	269 kg	283 kg	294 kg
Dimensions (L x W x H)	860 x 1100 x 580 mm	860 x 1100 x 580 mm	860 x 1100 x 580 mm
Gas inlet / outlet	G 4" / G 4"	G 4" / G 4"	G 4" / G 4"

## DO YOU WANT TO KNOW MORE?

Get in touch with us directly!  
[info@busch.ca](mailto:info@busch.ca) or +1 800 363 6360



CONTACT FORM



CALL NOW