

# R5 RA 0400-0630 C

Oil-lubricated rotary vane vacuum pumps



VACUUM SOLUTIONS



## Reliable

Robust construction, highly resilient carbon fiber vanes, proven rotary vane technology, long service life

## High performance

High pumping speed at low pressures, designed for continuous operation

## Flexible

Various design options available, easy adaption to individual customer requirements and processes, variable speed drive available

### Accessories

- IEC (IE3) and NEMA motors
- Multi-voltage, multi-frequency motors (IE3) for variable speed drive
- Single or double gas-ballast valve, manual or solenoid operation
- Various inlet filters
- Various temperature and pressure gauges
- Starter units
- Oil mist separator
- Energy recuperation kit with heat exchanger
- Vacuum pump oils for all applications

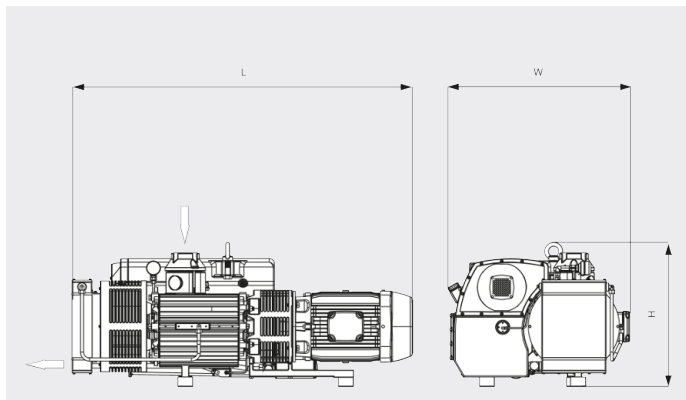
# R5 RA 0400-0630 C

Oil-lubricated rotary vane vacuum pumps



VACUUM SOLUTIONS

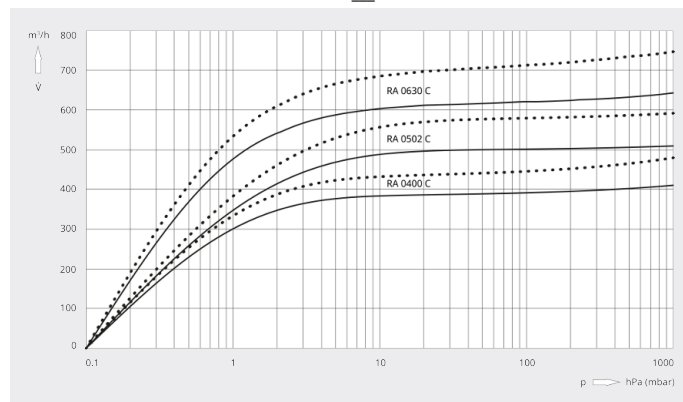
Dimensional drawing



Pumping speed

Air at 20°C. Tolerance: ± 10%

— 50 Hz ..... 60 Hz



	R5 RA 0400 C	R5 RA 0502 C	R5 RA 0630 C
<b>Nominal pumping speed</b>	410 / 480 m³/h (50 / 60 Hz)	510 / 590 m³/h (50 / 60 Hz)	630 / 760 m³/h (50 / 60 Hz)
<b>Ultimate pressure</b>	0.1 hPa (mbar) (50 / 60 Hz)	0.1 hPa (mbar) (50 / 60 Hz)	0.1 hPa (mbar) (50 / 60 Hz)
<b>Nominal motor rating</b>	11 / 15 kW (50 / 60 Hz)	11 / 15 kW (50 / 60 Hz)	15 / 18.5 kW (50 / 60 Hz)
<b>Nominal motor speed</b>	1000 / 1200 min <sup>-1</sup> (50 / 60 Hz)	1000 / 1200 min <sup>-1</sup> (50 / 60 Hz)	1000 / 1200 min <sup>-1</sup> (50 / 60 Hz)
<b>Power consumption at 100 mbar</b>	8.2 / 10.0 kW (50 / 60 Hz)	9.9 / 12.0 kW (50 / 60 Hz)	15 / 18.5 kW (50 / 60 Hz)
<b>Power consumption at ultimate pressure</b>	4.7 / 5.6 kW (50 / 60 Hz)	5.8 / 6.4 kW (50 / 60 Hz)	6.5 / 8.0 kW (50 / 60 Hz)
<b>Noise level (ISO 2151)</b>	77 / 79 dB(A) (50 / 60 Hz)	77 / 79 dB(A) (50 / 60 Hz)	77 / 79 dB(A) (50 / 60 Hz)
<b>Oil capacity</b>	12 l	12 l	15 l
<b>Weight approx.</b>	435 kg	530 kg	550 kg
<b>Dimensions (L x W x H)</b>	1309 x 862 x 711 mm	1374 x 864 x 712 mm	1723 x 912 x 712 mm
<b>Gas inlet / outlet</b>	G 3" / G 3"	G 3" / G 3"	G 3" / G 3"

## DO YOU WANT TO KNOW MORE?

Get in touch with us directly!  
[info@busch.ca](mailto:info@busch.ca) or +1 800 363 6360



CONTACT FORM



CALL NOW