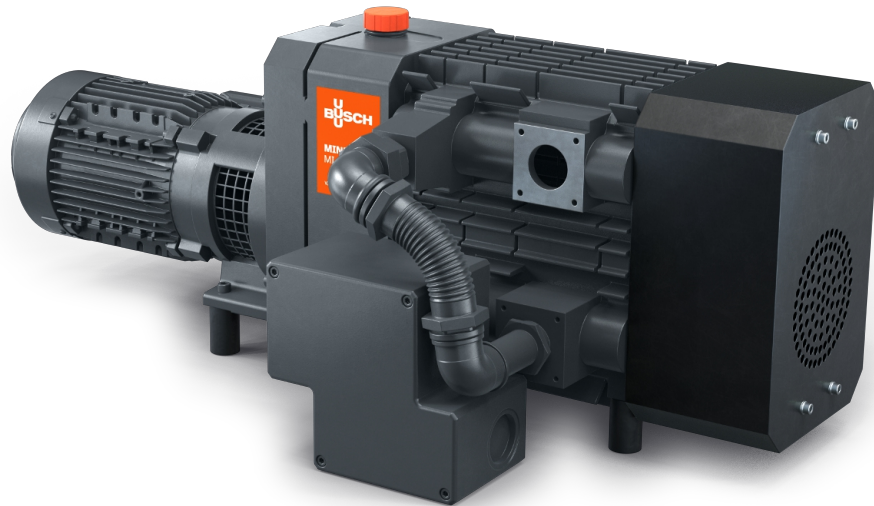


# MINK MI 2124/2122 BV

Dry claw vacuum pumps



VACUUM SOLUTIONS



## Efficient

Substantial energy savings compared to conventional vacuum generators, minimized operating costs

## Nearly maintenance-free

Dry and contact-free operation

## High performance

Low ultimate pressure due to two-stage construction

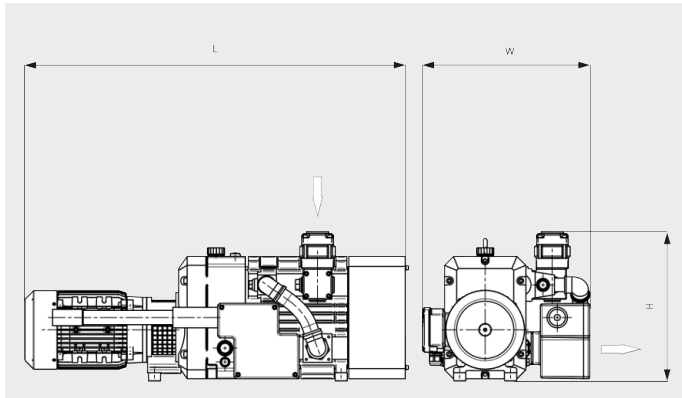
# MINK MI 2124/2122 BV

Dry claw vacuum pumps



VACUUM SOLUTIONS

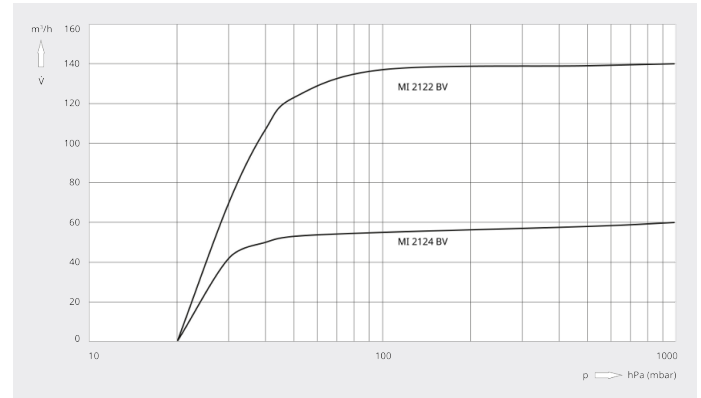
Dimensional drawing



Pumping speed

Air at 20°C. Tolerance: ± 10%

— 50 Hz    ..... 60 Hz



|                               | MINK MI 2124 BV                            | MINK MI 2122 BV                            |
|-------------------------------|--|--|
| <b>Nominal pumping speed</b>  | 50 / 60 m³/h (50 / 60 Hz)                  | 120 / 140 m³/h (50 / 60 Hz)                |
| <b>Ultimate pressure</b>      | 20 hPa (mbar) (50 / 60 Hz)                 | 20 hPa (mbar) (50 / 60 Hz)                 |
| <b>Nominal motor rating</b>   | 1.5 kW (50 Hz) 2.0 / 2.4 kW (50 / 60 Hz)   | 4.2 kW (50 Hz) 5.1 / 6.8 kW (50 / 60 Hz)   |
| <b>Nominal motor speed</b>    | 1500 / 1800 min <sup>-1</sup> (50 / 60 Hz) | 3000 / 3600 min <sup>-1</sup> (50 / 60 Hz) |
| <b>Noise level (ISO 2151)</b> | 75 / 77 dB(A) (50 / 60 Hz)                 | 81 / 84 dB(A) (50 / 60 Hz)                 |
| <b>Weight approx.</b>         | 135 kg                                     | 145 kg                                     |
| <b>Dimensions (L x W x H)</b> | 940 x 415 x 370 mm                         | 970 x 430 x 370 mm                         |
| <b>Gas inlet / outlet</b>     | G 1½" / G 1"                               | G 1½" / G 1"                               |

## DO YOU WANT TO KNOW MORE?

Get in touch with us directly!  
[info@busch.ca](mailto:info@busch.ca) or +1 800 363 6360



CONTACT FORM



CALL NOW