

MINK MI 1502 BP

Dry claw compressors



VACUUM SOLUTIONS



Flexible

Designed for numerous industrial applications of up to 2.0 bar(g), inlet filter and pressure relief valve as standard

Reliable

Air cooling, constantly high volume flow throughout the entire life cycle

Nearly maintenance-free

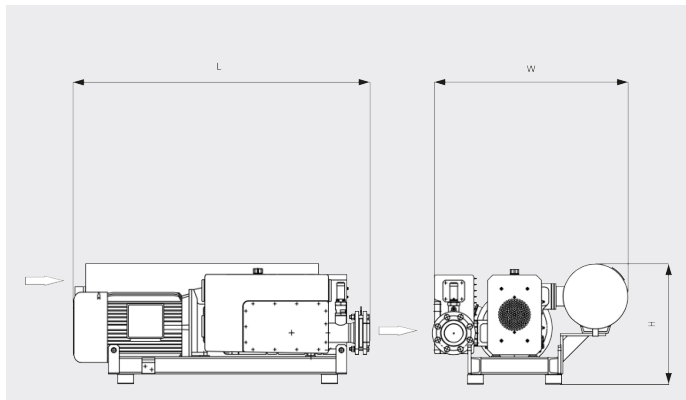
Dry and contact-free compression

MINK MI 1502 BP

Dry claw compressors

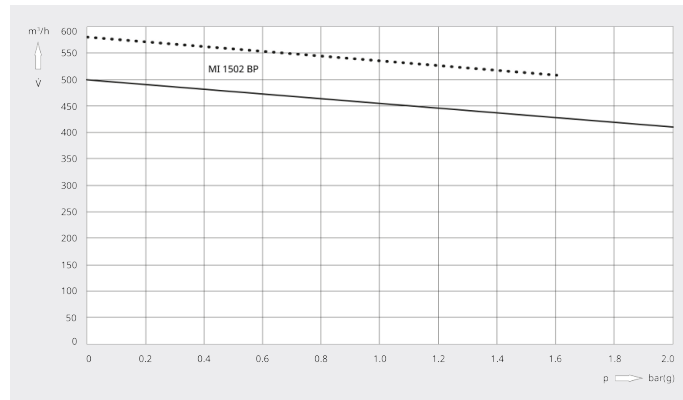


Dimensional drawing



Volume flow

Air at 20°C. Tolerance: ± 10%



| | MINK MI 1502 BP | MINK MI 1502 BP | MINK MI 1502 BP | MINK MI 1502 BP |
|-------------------------------|--|--|--|--|
| Volume flow (at inlet) | 500 / 580 m³/h (50 / 60 Hz) | 500 / 580 m³/h (50 / 60 Hz) | 500 / 580 m³/h (50 / 60 Hz) | 500 / 580 m³/h (50 / 60 Hz) |
| Overpressure | 0.8 / 0.5 bar(g) (50 / 60 Hz) | 1.2 / 1.0 bar(g) (50 / 60 Hz) | 1.6 / 1.3 bar(g) (50 / 60 Hz) | 2.0 / 1.6 bar(g) (50 / 60 Hz) |
| Nominal motor rating | 15.0 / 17.3 kW (50 / 60 Hz) | 18.5 / 22.0 kW (50 / 60 Hz) | 22.0 / 25.0 kW (50 / 60 Hz) | 25.0 / 27.5 kW (50 / 60 Hz) |
| Nominal motor speed | 3000 / 3600 min ⁻¹ (50 / 60 Hz) | 3000 / 3600 min ⁻¹ (50 / 60 Hz) | 3000 / 3600 min ⁻¹ (50 / 60 Hz) | 3000 / 3600 min ⁻¹ (50 / 60 Hz) |
| Noise level (ISO 2151) | 87 / 92 dB(A) (50 / 60 Hz) | 87 / 92 dB(A) (50 / 60 Hz) | 87 / 92 dB(A) (50 / 60 Hz) | 87 / 92 dB(A) (50 / 60 Hz) |
| Weight approx. | 390 kg | 390 kg | 390 kg | 390 kg |
| Dimensions (L x W x H) | 1500 x 905 x 580 mm | 1500 x 905 x 580 mm | 1500 x 905 x 580 mm | 1500 x 905 x 580 mm |
| Gas outlet | G 3" | G 3" | G 3" | G 3" |

DO YOU WANT TO KNOW MORE?

Get in touch with us directly!
info@busch.ca or +1 800 363 6360



CONTACT FORM



CALL NOW