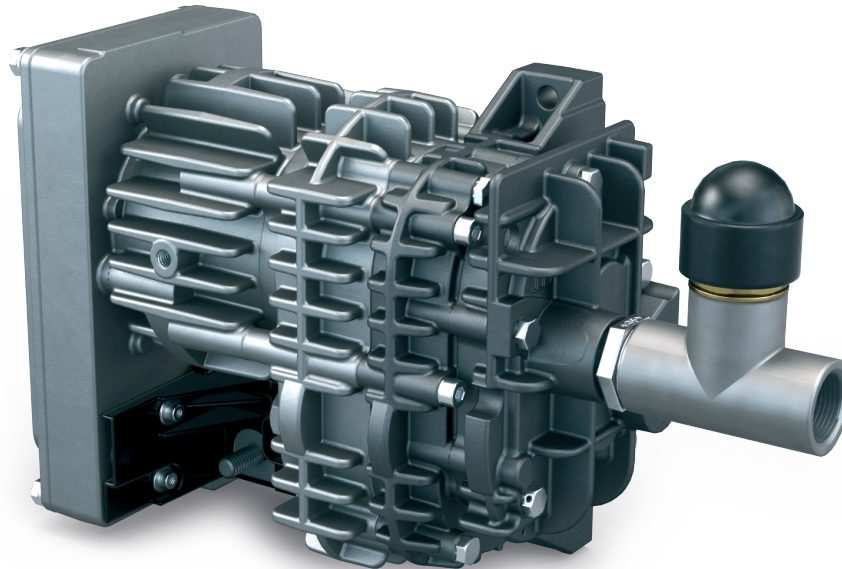


# MINK MB 0018 A

Dry claw vacuum pump



VACUUM SOLUTIONS



## Robust

Specially designed for mobile applications, may be operated under extreme conditions, in temperature ranges between -40 °C and +40 °C and at elevations between -1,000 m and 4,000 m, resistant to severe vibration

## Efficient

Latest claw vacuum technology, dry and contact-free compression, no contamination of pumped medium, intelligent variable speed drive, low energy consumption, long life cycle without servicing

## Compact

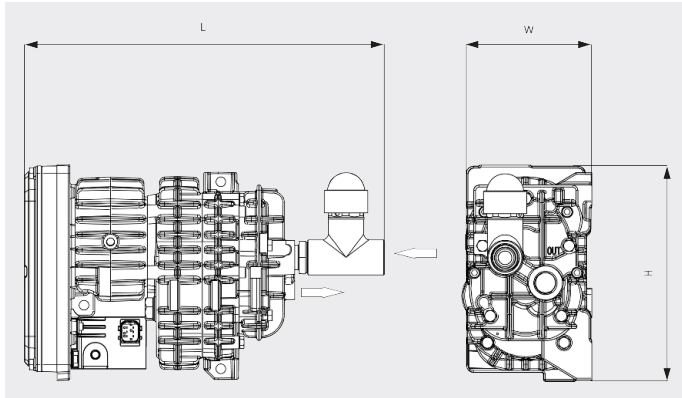
Small footprint due to "all-in-one" design

# MINK MB 0018 A

Dry claw vacuum pump

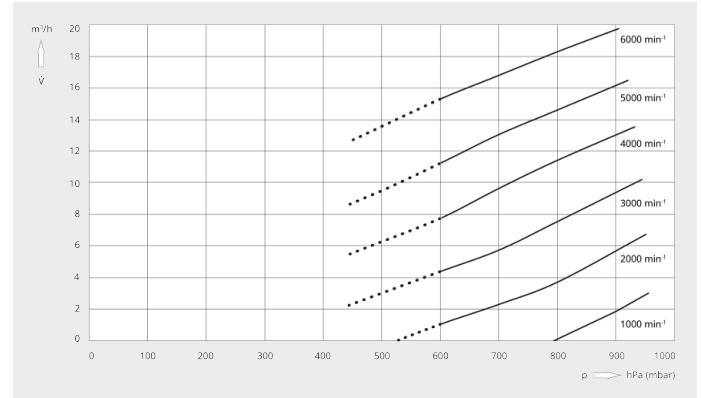


Dimensional drawing



Pumping speed

Air at 20°C. Tolerance: ± 10%



| MINK MB 0018 A         |                        |
|------------------------|------------------------|
| Nominal pumping speed  | 18 m <sup>3</sup> /h   |
| Ultimate pressure      | 600 / 450 hPa (mbar)   |
| Nominal motor rating   | 0.5 kW                 |
| Nominal motor speed    | 6000 min <sup>-1</sup> |
| Ambient temperature    | -40 ... +40            |
| Noise level (ISO 2151) | 73 dB(A)               |
| Weight approx.         | 6.5 kg                 |
| Dimensions (L x W x H) | 329.5 x 120 x 199 mm   |
| Gas inlet / outlet     | G 3/4" / G 1/2"        |

## DO YOU WANT TO KNOW MORE?

Get in touch with us directly!  
[info@busch.ca](mailto:info@busch.ca) or +1 800 363 6360



CONTACT FORM



CALL NOW