

R5 RA 0600 A ECOTORQUE

Oil-lubricated rotary vane vacuum pump



VACUUM SOLUTIONS



Efficient

Up to 50% energy savings thanks to the variable speed drive (ECOTORQUE), Ecomode with automatic start and stop function

High performance

High pumping speed at low pressure ranges, designed for continuous operation in the rough vacuum range, best-in-class footprint performance ratio

Flexible

Precise adjustment of vacuum level (pressure control) and pumping speed (speed control) to process requirements, compatible with a wide range of supply voltages, easy control and monitoring of up to eight vacuum pumps with optional ECOTORQUE Master Control

Accessories, spare parts and options

- Single or double gas-ballast valve, manual or solenoid operation
- Various inlet filters
- Various temperature and pressure gauges
- Energy recuperation kit with water/oil heat exchanger
- Vacuum pump oils for all applications

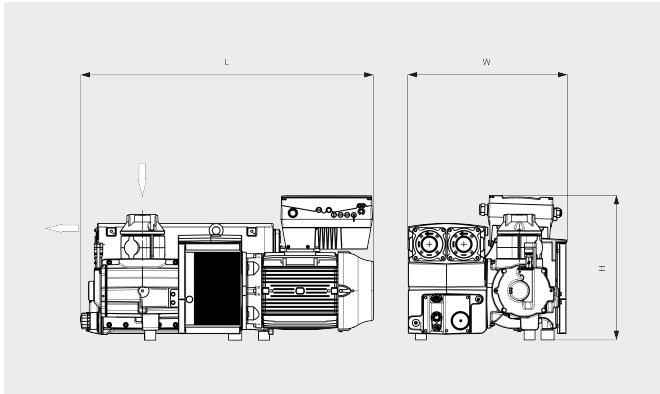
R5 RA 0600 A ECOTORQUE

Oil-lubricated rotary vane vacuum pump



VACUUM SOLUTIONS

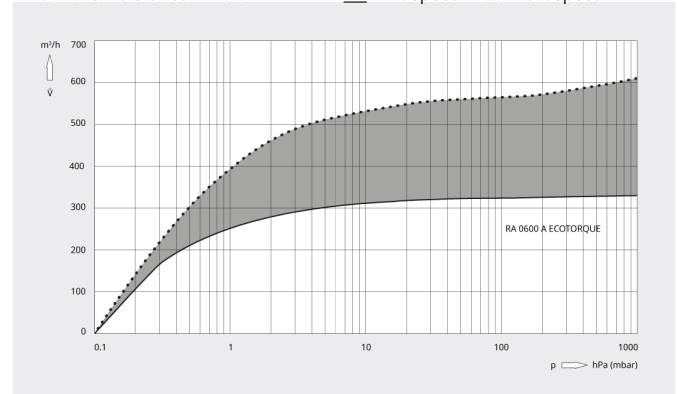
Dimensional drawing



Pumping speed

Air at 20°C. Tolerance: ± 10%

___ Min. speed Max. speed



R5 RA 0600 A ECOTORQUE	
Nominal pumping speed	330 – 600 m ³ /h
Ultimate pressure (Gas-ballast valve closed)	0.1 hPa (mbar)
Nominal motor speed	800 – 1400 min ⁻¹
Power consumption at ultimate pressure	2.6 – 5.2 kW
Sound pressure level (ISO 2151), KpA = 3 dB	70 – 77 dB(A)
Oil capacity	11 l
Weight approx.	525 kg
Dimensions (L x W x H)	1322 x 718 x 653 mm
Gas inlet *	G 3"

*Gas outlet G 3" optional.

DO YOU WANT TO KNOW MORE?

Get in touch with us directly!



CONTACT FORM