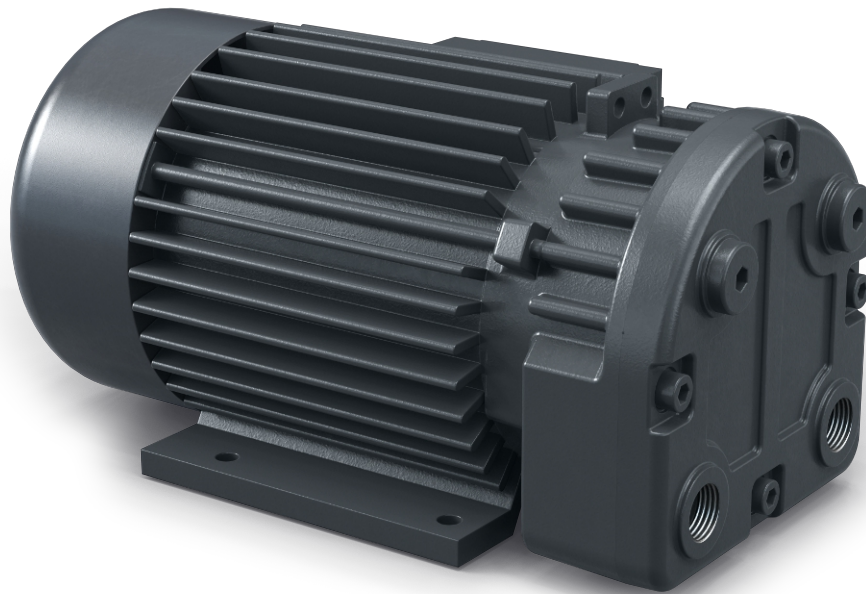


SECO SV 1008 C

Dry-running rotary vane vacuum pump



VACUUM SOLUTIONS



Compact

Direct-drive construction

Reliable

Robust construction, proven performance, self-lubricating vanes, no operating fluids

High performance

High uptime, high performance vanes

Accessories

- Inlet filter
- Vacuum regulating unit
- Non-return valve (inlet)
- Hose nipple

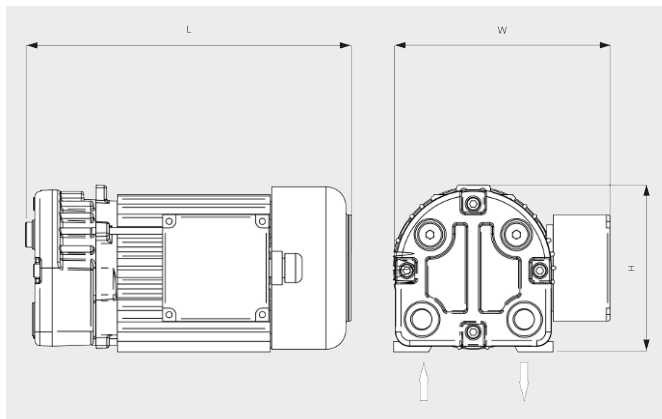
SECO SV 1008 C

Dry-running rotary vane vacuum pump



VACUUM SOLUTIONS

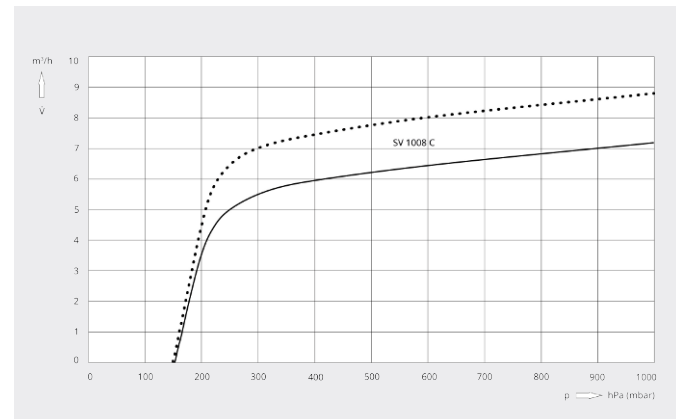
Dimensional drawing



Pumping speed

Air at 20°C. Tolerance: ± 10%

— 50 Hz 60 Hz



| SECO SV 1008 C | |
|------------------------|--|
| Nominal pumping speed | 7.3 / 8.8 m ³ /h (50 / 60 Hz) |
| Ultimate pressure | 150 hPa (mbar) (50 / 60 Hz) |
| Nominal motor rating | 0.25 / 0.30 kW (50 / 60 Hz) |
| Nominal motor speed | 3000 / 3600 min ⁻¹ (50 / 60 Hz) |
| Noise level (ISO 2151) | 63 / 66 dB(A) (50 / 60 Hz) |
| Weight approx. | 8.5 kg |
| Dimensions (L x W x H) | 245 x 164 x 125 mm |
| Gas inlet / outlet | G 3/8" / G 3/8" |

DO YOU WANT TO KNOW MORE?

Get in touch with us directly!



CONTACT FORM